



UNIVERSAL BRACKET

US PATENT PENDING
#62/536,219

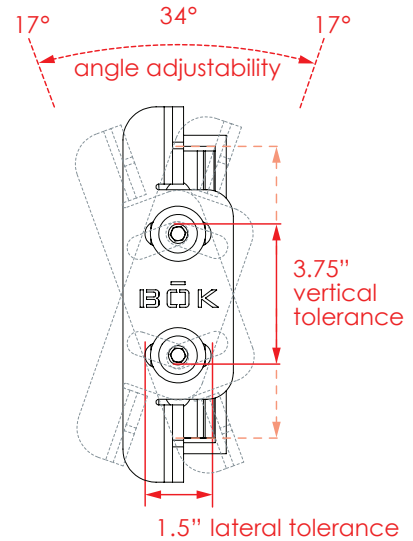


Shown in red color for illustration purposes.
Bracket can be painted to match panels.

BOKMODERN.COM

SIMPLE, EFFICIENT, FLEXIBLE

The BOK Modern Patent Pending Universal Bracket is a simplified solution for mounting most of our architectural panel systems. Its innovative design allows for fast and easy installation while providing a wide range of adjustability for field tolerances. Suitable applications includes (but not limited to) mounting stair and balcony guardrails, as well as wall and parking garage screens to wood, steel and concrete substructures. The distinct two-part design consists of part "A" mounting base, and a part "B" adjustable bracket, which together solve multiple installation issues:



UNIVERSAL BRACKET
INSTALLATION FLEXIBILITY

FIELD TOLERANCE

The 2 part bracket allows for a **full range of flexibility** in the field as it is adjustable in both the vertical and horizontal direction, can rotate up to 34 degrees, and can be adjusted in and out from the mounting surface, **eliminating the need for precise bracket placement.**

SIMPLIFIED STRUCTURAL ATTACHMENT

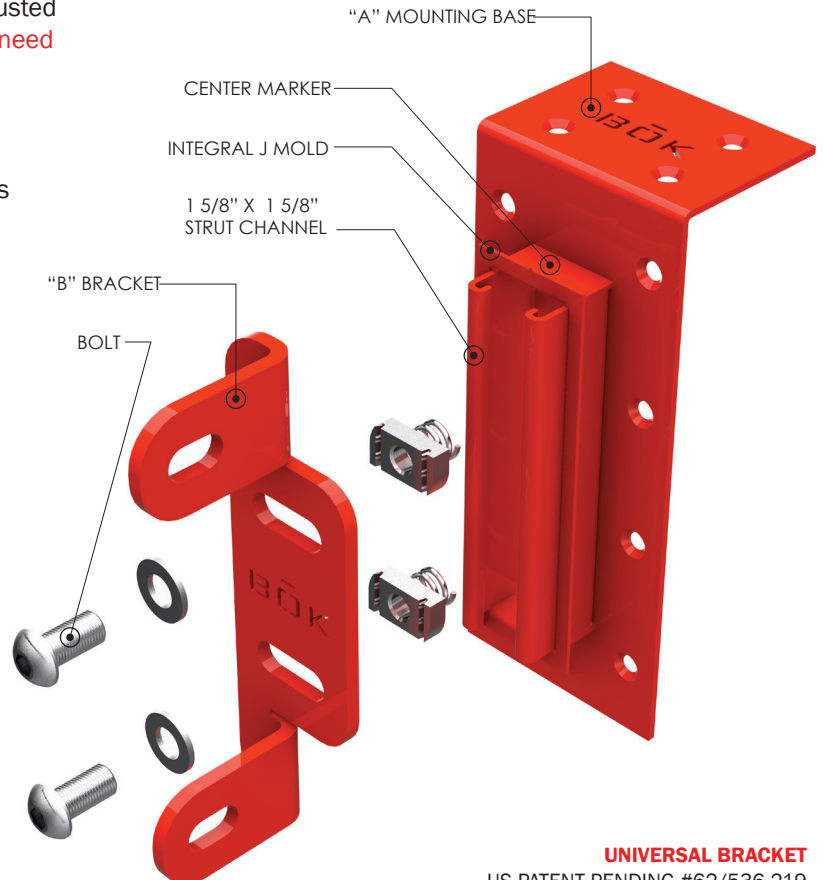
The flat mounting plate with recessed #12 screws does not require any notching or recessing into the plywood substrate. This 'folded' plate allows for directly securing to the rim joist **eliminating costly and time consuming hold-downs or thru bolting and the associated additional framing.**

MINIMAL WATERPROOFING

The flat plate is easily flashed over, much like a nail-on window fin, as well as an integral J mold **eliminating additional flashing and associated caulking.**

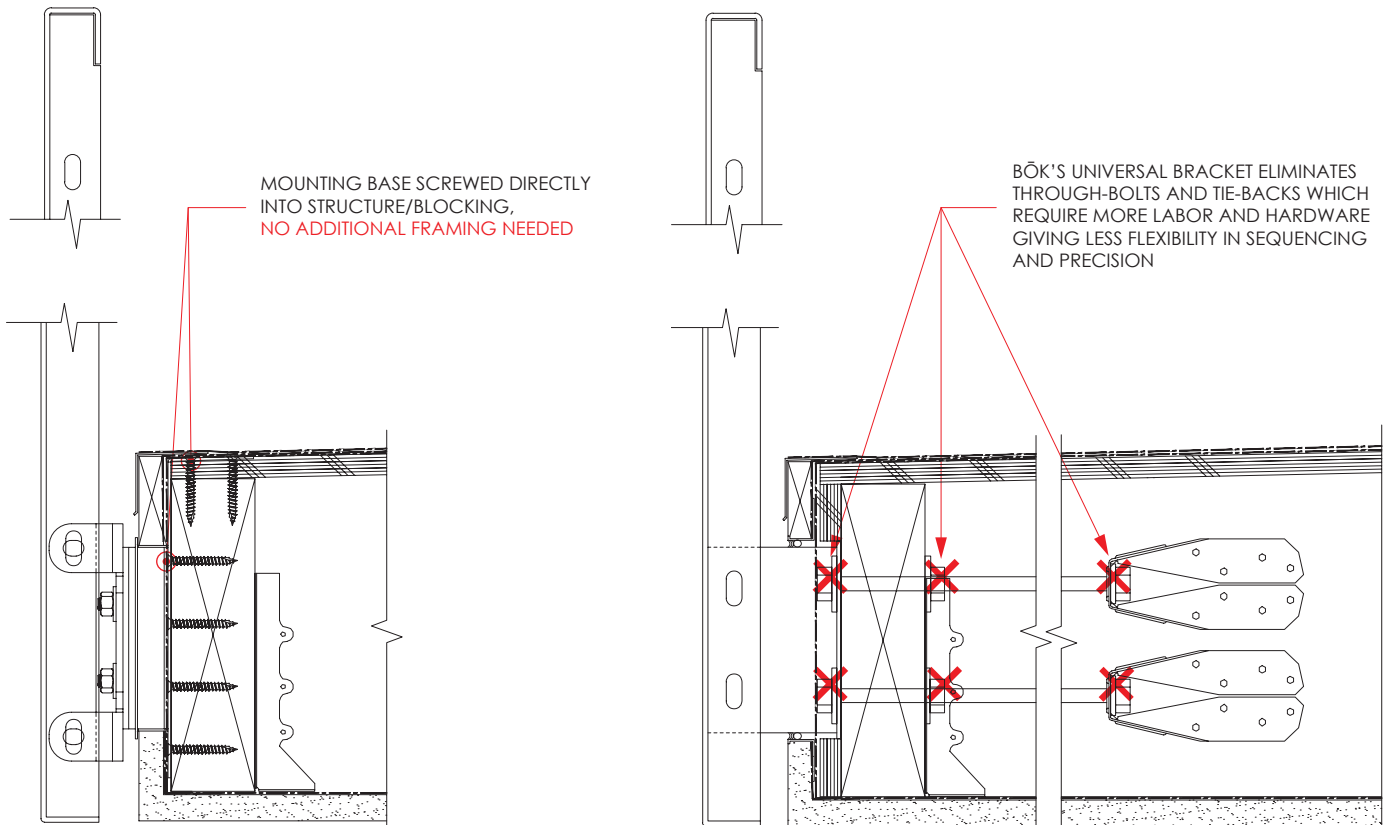
MATERIAL: Stainless Steel

FINISH: Powder Coat



UNIVERSAL BRACKET
US PATENT PENDING #62/536,219

DETAIL COMPARISON



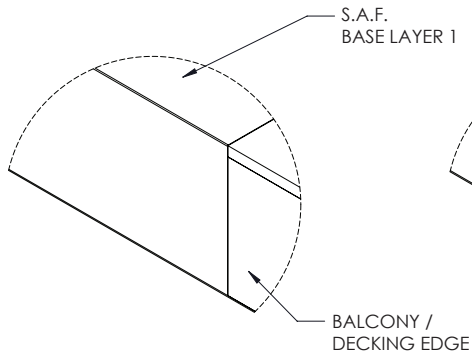
UNIVERSAL BRACKET
ASSEMBLY DETAIL

TYPICAL FIXED BLADE BRACKET
ASSEMBLY DETAIL

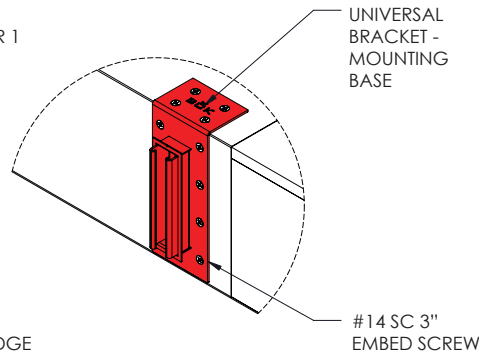
BÖK Modern Universal Bracket can save your installation labor time

With the “folded” plate shape, the BÖK Modern Patent Pending Universal Bracket (patent pending #62/536,219) is designed to be secured on both the face and the top of the structure. This configuration allows the bracket to be self-supported and eliminates the need for additional “hold-down” type hardware which gives very little allowance for error in positioning the bracket. Face-mounting means the bracket can be installed after the framing is completed, granting greater flexibility in building sequencing.

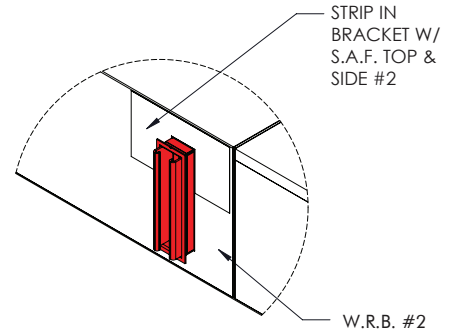
INSTALLATION SEQUENCING



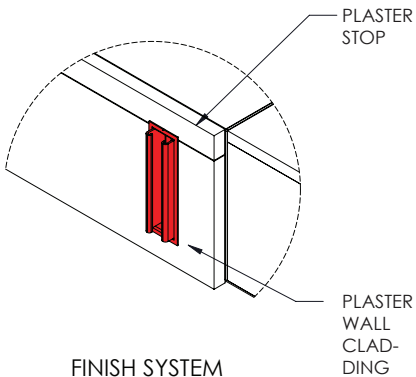
STEP 1
WATERPROOFING
BASE LAYER



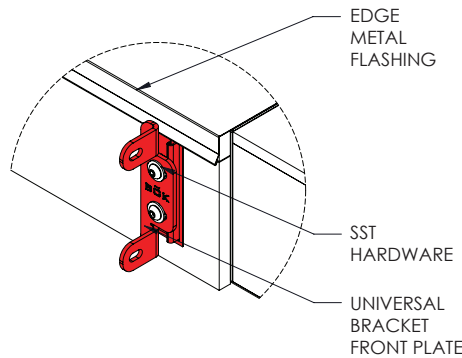
STEP 2
MOUNTING BASE
ONTO STRUCTURE



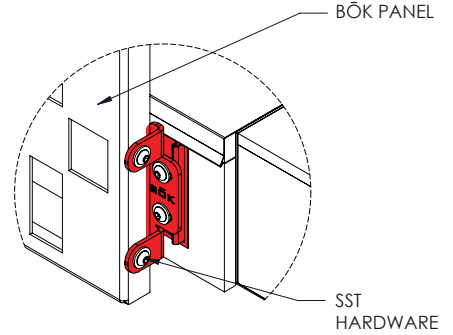
STEP 3
WATERPROOFING OVER
MOUNTING BASE PLATE



STEP 4
FINISH SYSTEM
OVER BASE LAYER



STEP 5
ATTACH
B BRACKET



STEP 6
ATTACH
PANEL

US PATENT PENDING
#62/536,219

DID YOU KNOW?

BOK Modern offers a seamless service from design, shop drawings to delivery, coordinating with installer and general contractors ensuring a worry free and quality final product.

TRULY UNIVERSAL

Our brackets can also be used for other manufacturers products



Glass balcony guardrail



Picket balcony guardrail



Cable balcony guardrail



BÖK balcony guardrail

