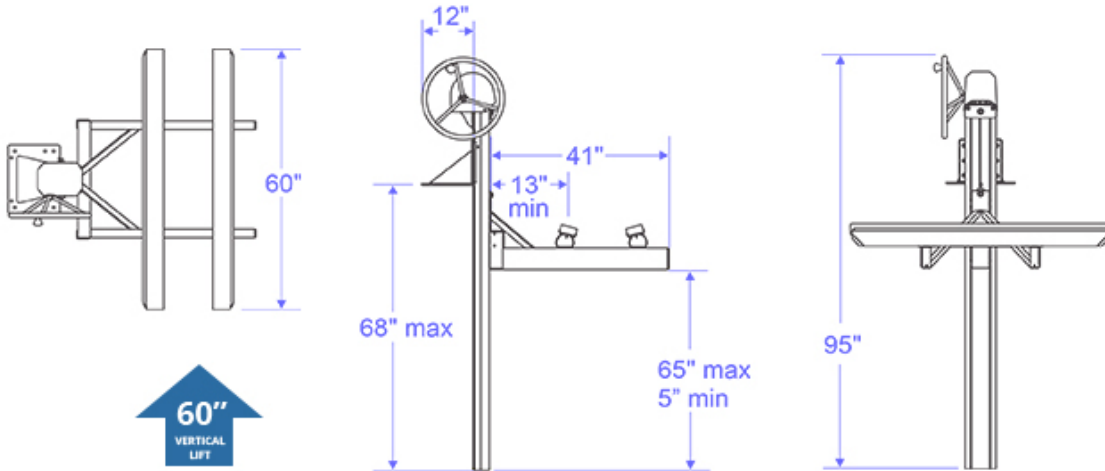


Vertical lift is measured at the aft end of the bunk rails from the fully lowered position to the fully raised position



Lift Capacity	1,400 lbs.	Lifting Cable	Stainless
Vertical Lift	60"	Connecting Hardware	Stainless
Minimum Water Depth	12"	Frame Weight	149 lbs.
Tower Length	84"	Shipping Weight	178 lbs.
Maximum PWC Beam	56"		