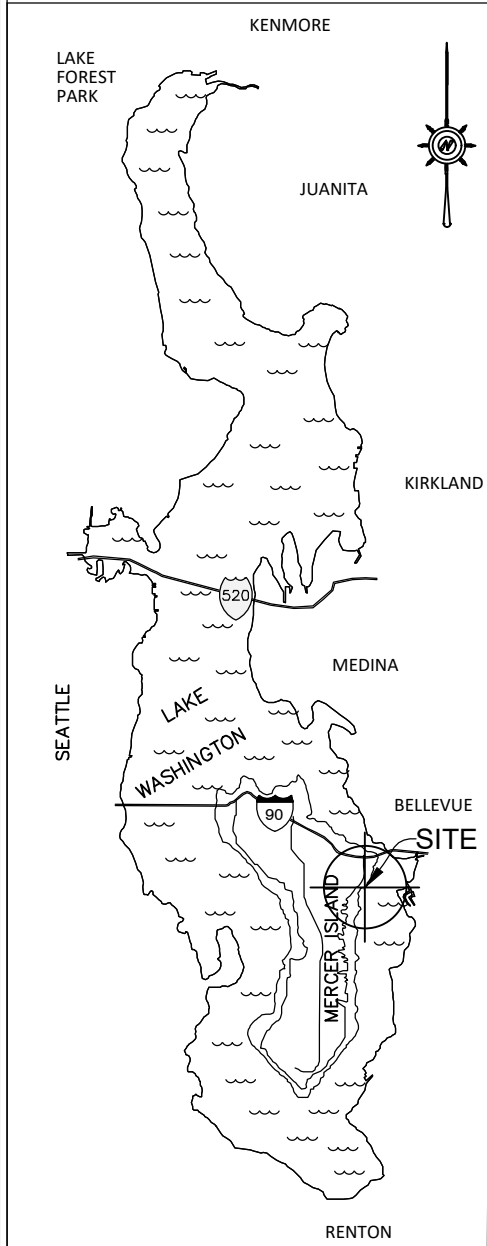


HATSUKAMI PIER REPAIR



PROPOSED:
 REPLACE THE EXISTING SOLID WOOD DECKING WITH THRU-FLOW PLASTIC GRATED DECKING. RELOCATE THE BOATLIFT AND PERMIT TRANSLUCENT CANOPY COVER.

PURPOSE:
 TO MAINTAIN MOORAGE INTEGRITY.

APPLICANT:
 THOMAS HATSUKAMI

SITE ADDR:
 9843 SE 42ND PL
 MERCER ISLAND, WA 98040

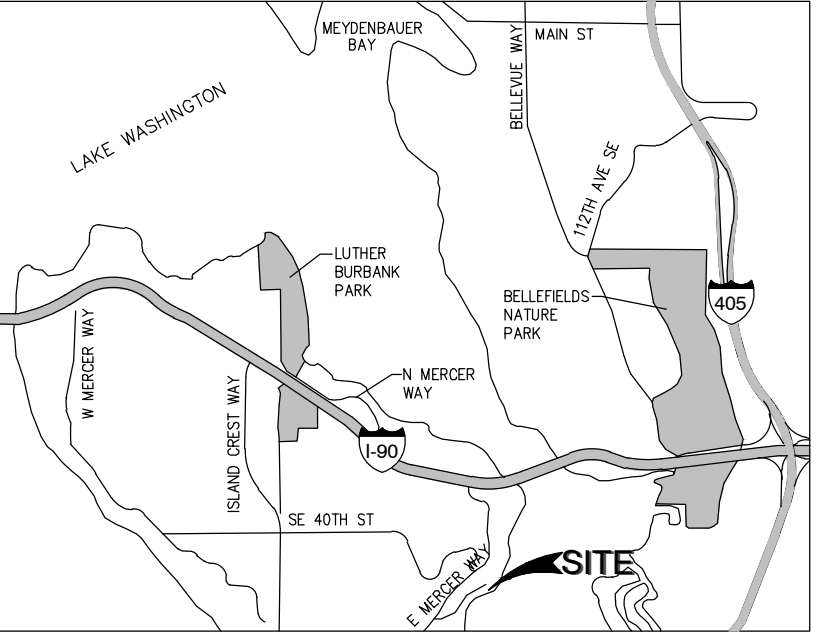
MAIL ADDR:
 SAME AS ABOVE

ADJACENT PROPERTY OWNERS:

- 1.) GOONEWARDENE, HOWARD
 9839 SE 42ND PL
 MERCER ISLAND, WA 98040
- 2.) TRACT LOT
 NONE LISTED

LOCAL JURISDICTION:
 THE CITY OF MERCER ISLAND

LAKE MAP/NO SCALE



VICINITY MAP

NOT TO SCALE



1/4 SEC: NE-18-24-5

LAT: 47.57069

LONG: -122.20585

LEGAL DESCRIPTION:

(PARCEL No. 7776700060)

SHORERIDGE ADD & SH LDS ADJ LESS BEG MOST SLY COR TH N 17 DEG 55 MIN 44 SEC W ALG W LN 142.12 FT TO ANGLE PT IN SD LN TH ALG SD LN N 27 DEG 05 MIN 49 SEC W 26.64 FT TH S 88 DEG 28 MIN 12 SEC E 15.38 FT TH S 27 DEG 05 MIN 49 SEC E 20.35 FT TH S 17 DEG 55 MIN 44 SEC E 143.20 FT TH W ALG SH TO POB

SHEET INDEX:

- 1. COVER PAGE
- 2. EXISTING SITE PLAN
- 3. EXISTING PLAN VIEW & PROPOSED PLAN VIEW
- 4. EXISTING FRAMING/ELEVATION VIEW & PROPOSED FRAMING/ELEVATION VIEW
- 5. EXISTING SECTION DETAILS PROPOSED SECTION DETAILS
- 6. CONSTRUCTION DETAILS.
- 7. ADDENDUM A: EXISTING/PROPOSED FINGER ELL DETAIL SECTION
- 8.

REVISED:
 4-13-22

PAGE 1 of 8

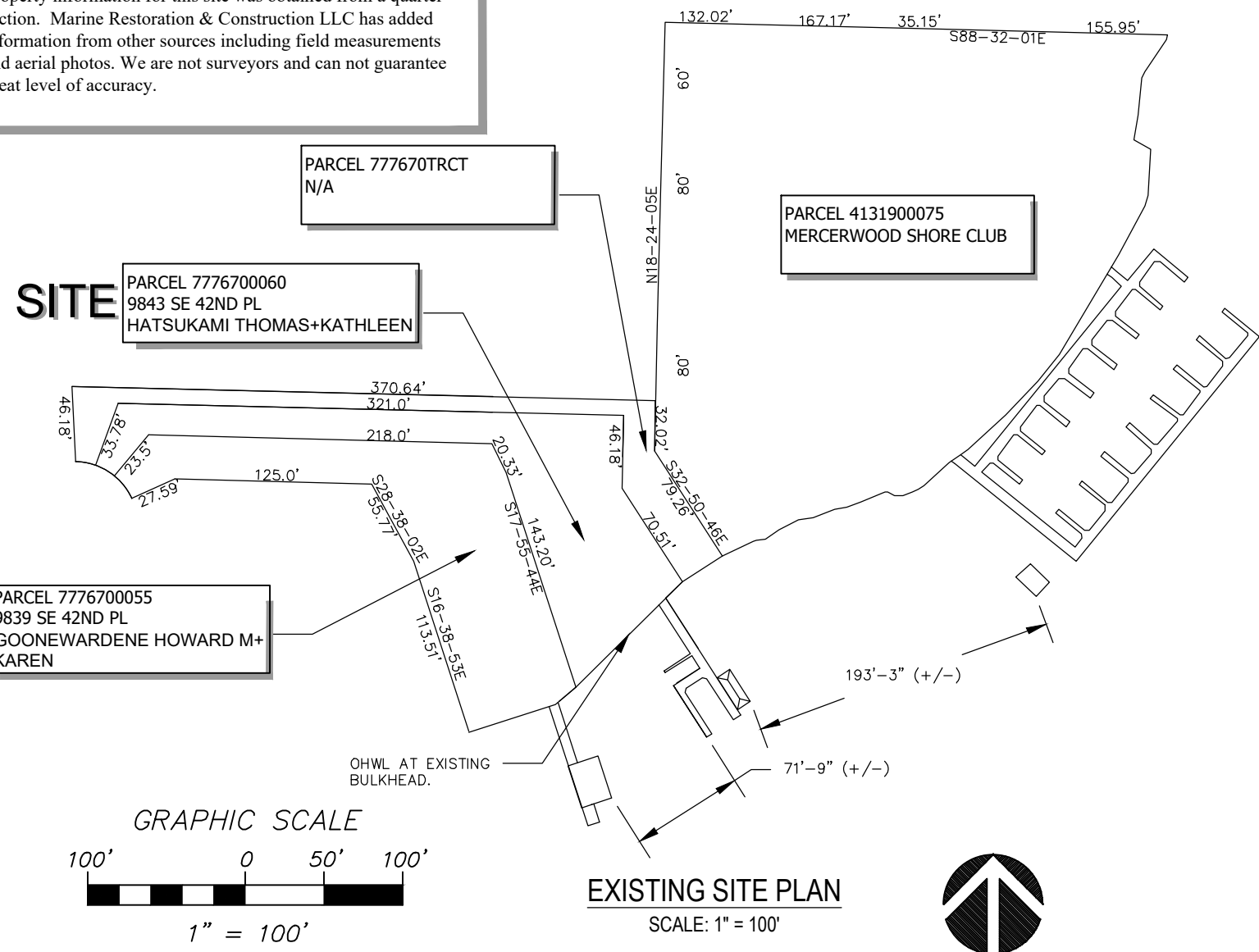


MARINE RESTORATION & CONSTRUCTION LLC

P.O. 208, Fall City, WA 98024 PHONE: (425) 576-8661
 E-MAIL: INFO@MARINELLC.COM

THIS DRAWING IS PROPERTY OF MARINE RESTORATION & CONSTRUCTION LLC AND MAY NOT BE COPIED OR REPRODUCED WITHOUT WRITTEN CONSENT

NOTE:
 Property information for this site was obtained from a quarter section. Marine Restoration & Construction LLC has added information from other sources including field measurements and aerial photos. We are not surveyors and can not guarantee great level of accuracy.



REVISED:
 4-13-22



MARINE RESTORATION & CONSTRUCTION LLC

P.O. 208, Fall City, WA 98024 PHONE: (425) 576-8661
 E-MAIL: INFO@MARINELLC.COM

THIS DRAWING IS PROPERTY OF MARINE RESTORATION & CONSTRUCTION LLC
 AND MAY NOT BE COPIED OR REPRODUCED WITHOUT WRITTEN CONSENT

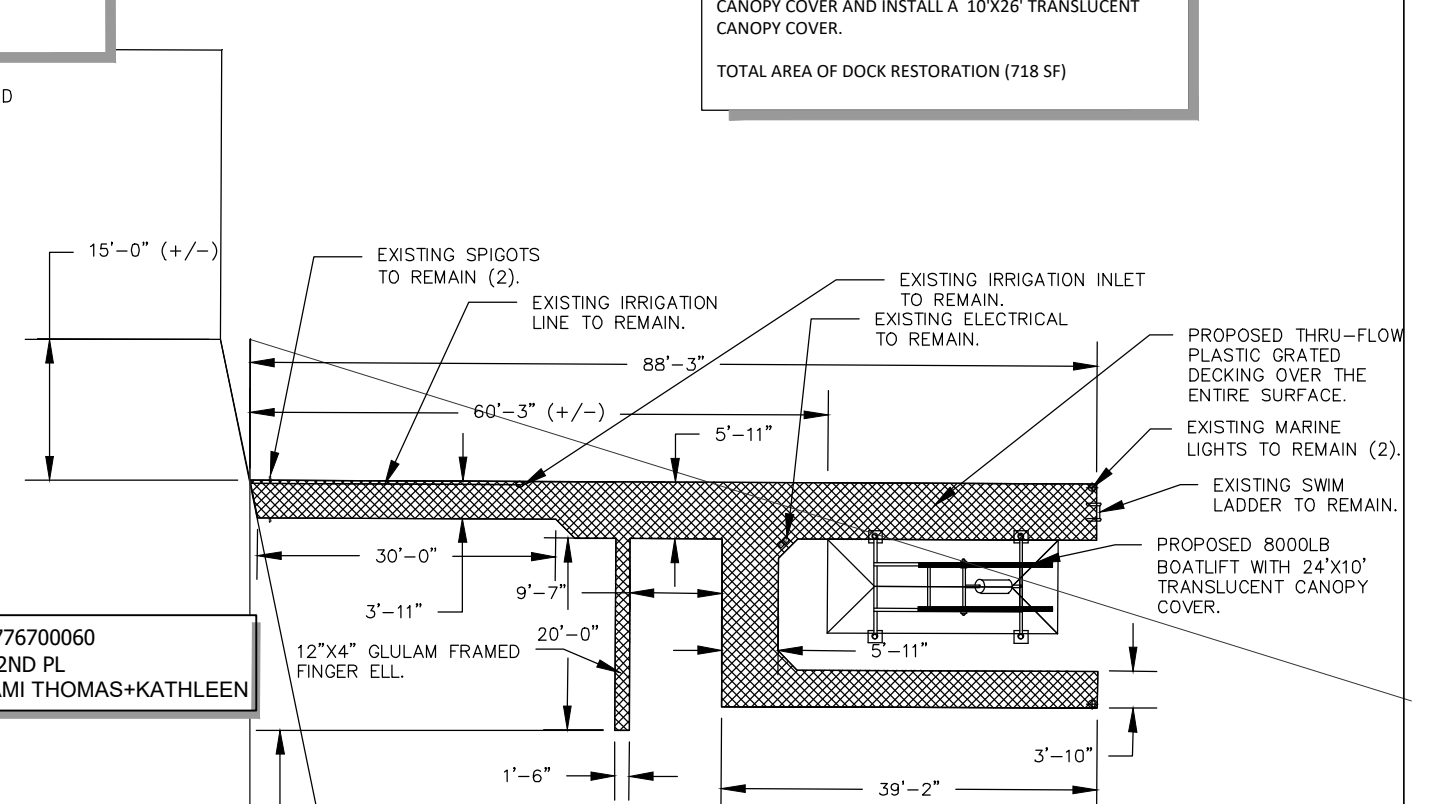
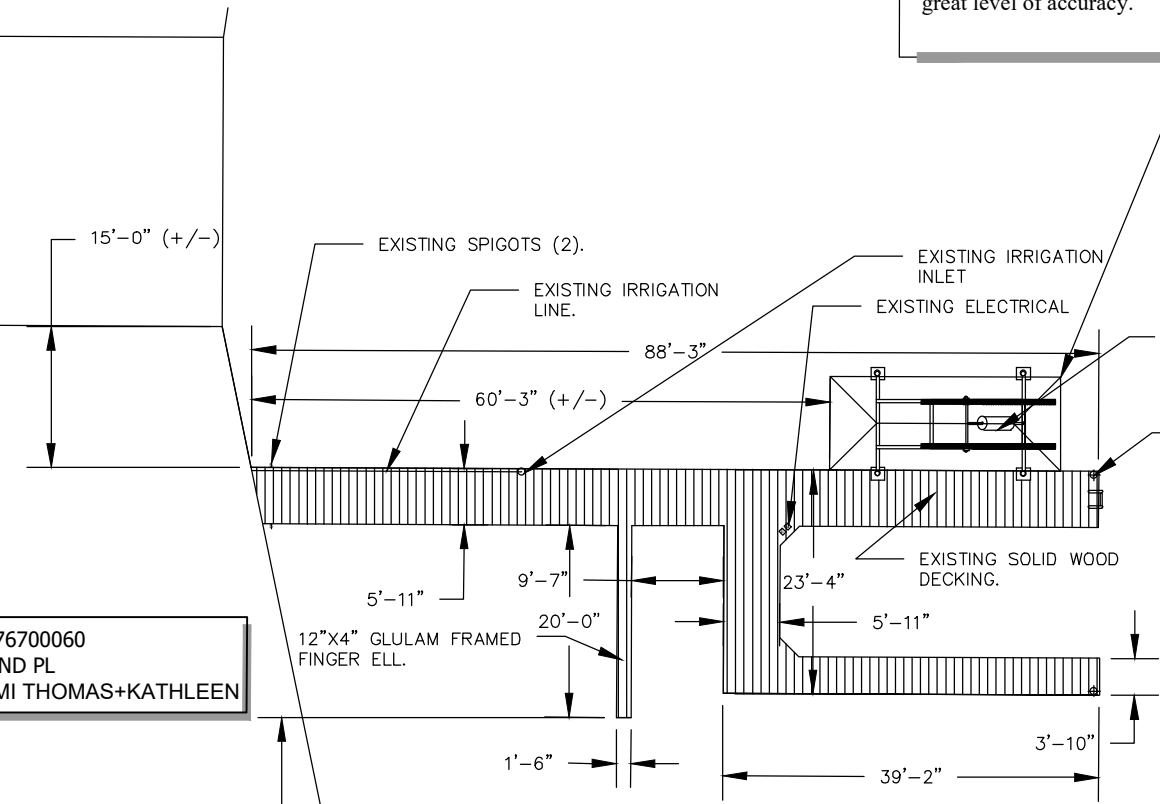
PLOT DATE: 13 April 2022

NOTE:
 Property information for this site was obtained from a quarter section. Marine Restoration & Construction LLC has added information from other sources including field measurements and aerial photos. We are not surveyors and can not guarantee great level of accuracy.

WORK DESCRIPTION:
 REMOVE SOLID WOOD DECKING. INSTALL INTERMEDIATE STRINGERS TO SUPPORT GRATED DECKING PER MANUFACTURERS SPECIFICATIONS. INSTALL THRU-FLOW PLASTIC GRATED DECKING OVER THE ENTIRE STRUCTURE. REPLACE AND RELOCATE THE EXISTING 8000LB BOATLIFT WITH AN 8000LB BOATLIFT. REMOVE A 10'X24' SOLID CANOPY COVER AND INSTALL A 10'X26' TRANSLUCENT CANOPY COVER.
 TOTAL AREA OF DOCK RESTORATION (718 SF)

SITE
 PARCEL 7776700060
 9843 SE 42ND PL
 HATSUKAMI THOMAS+KATHLEEN

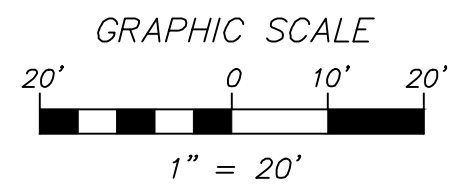
SITE
 PARCEL 7776700060
 9843 SE 42ND PL
 HATSUKAMI THOMAS+KATHLEEN



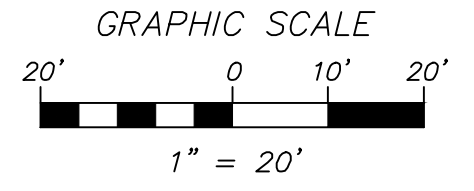
52'-7" (+/-) OHWL AT THE EXISTING BULKHEAD.

52'-7" (+/-) OHWL AT THE EXISTING BULKHEAD.

EXISTING PLAN VIEW
 SCALE: 1" = 20'



PROPOSED PLAN VIEW
 SCALE: 1" = 20'



REVISED:
 4-13-22



MARINE RESTORATION & CONSTRUCTION LLC

P.O. 208, Fall City, WA 98024 PHONE: (425) 576-8661
 E-MAIL: INFO@MARINELLC.COM

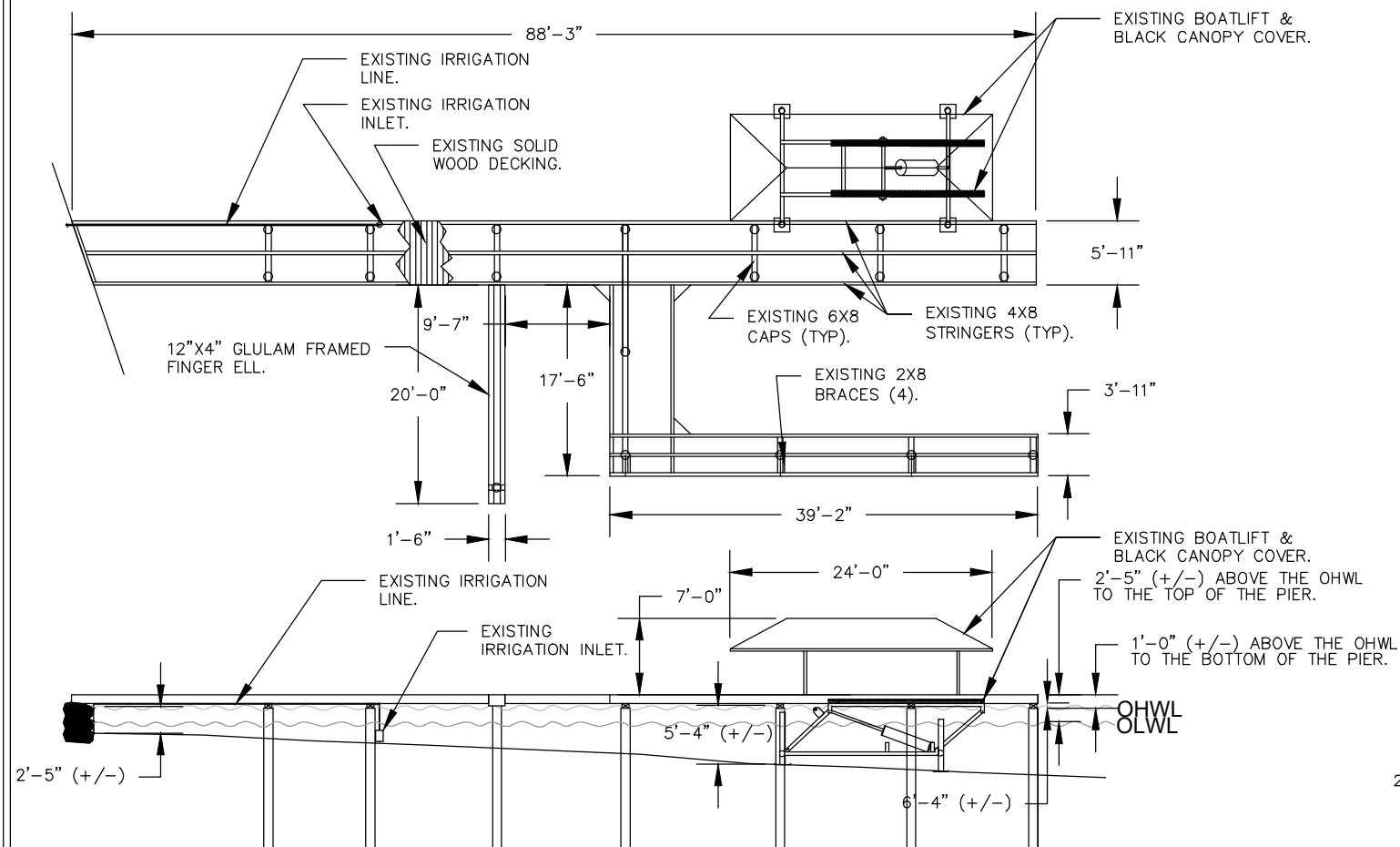
THIS DRAWING IS PROPERTY OF MARINE RESTORATION & CONSTRUCTION LLC AND MAY NOT BE COPIED OR REPRODUCED WITHOUT WRITTEN CONSENT

PLOT DATE: 13 April 2022

EXISTING FRAMING

PLAN

SCALE: 1/16" = 1'-0"

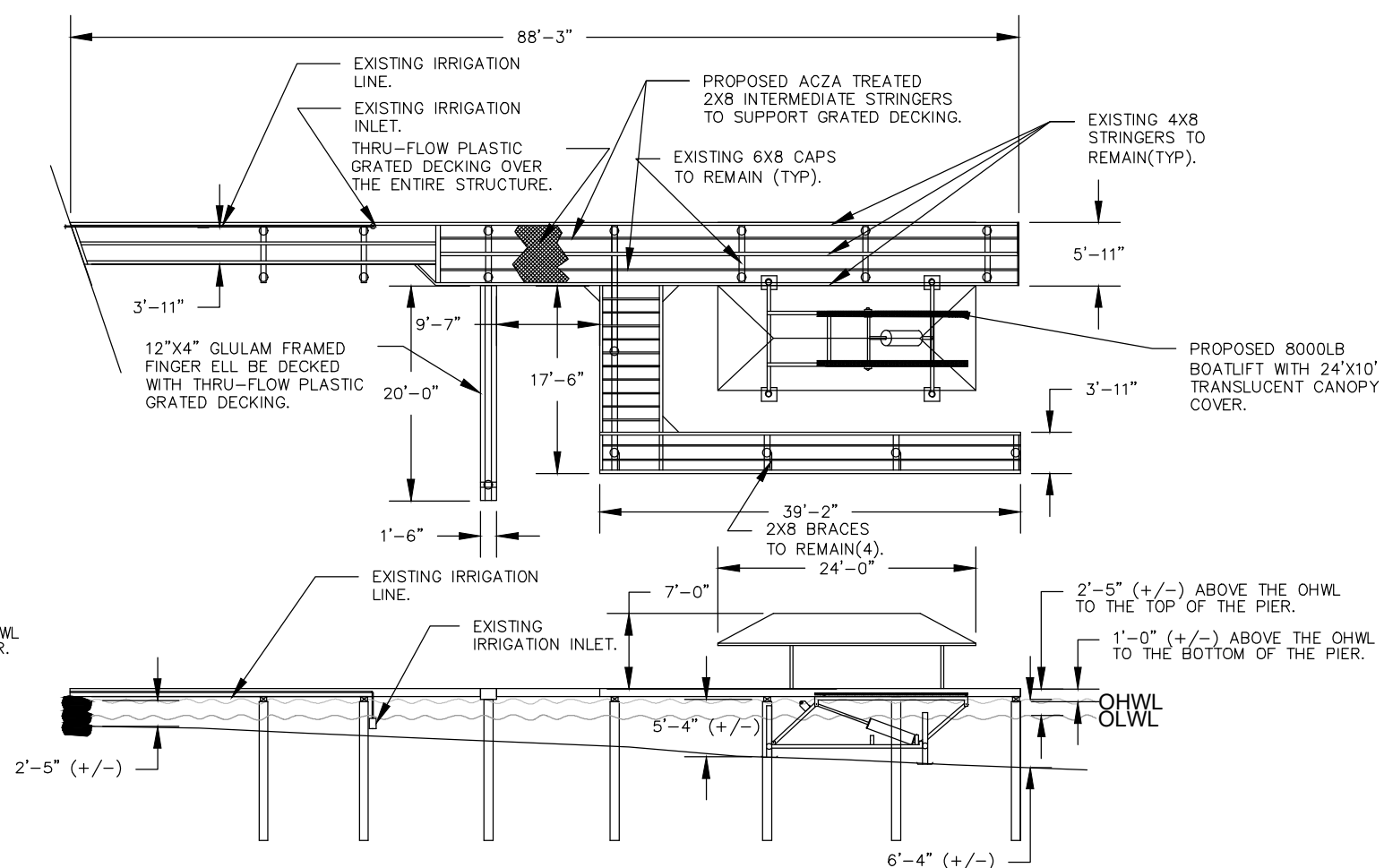


EXISTING ELEVATION VIEW

SCALE: 1/16" = 1'-0"

PROPOSED FRAMING PLAN

SCALE: 1/16" = 1'-0"



PROPOSED ELEVATION VIEW

SCALE: 1/16" = 1'-0"

WORK DESCRIPTION:

REMOVE SOLID WOOD DECKING. INSTALL INTERMEDIATE STRINGERS TO SUPPORT GRATED DECKING PER MANUFACTURERS SPECIFICATIONS. INSTALL THRU-FLOW PLASTIC GRATED DECKING OVER THE ENTIRE STRUCTURE. REPLACE AND RELOCATE THE EXISTING 8000LB BOATLIFT WITH AN 8000LB BOATLIFT. INSTALL A FREESTANDING 8000LB BOATLIFT WITH A 24'X10' TRANSLUCENT CANOPY COVER.

TOTAL AREA OF DOCK RESTORATION (718 SF)

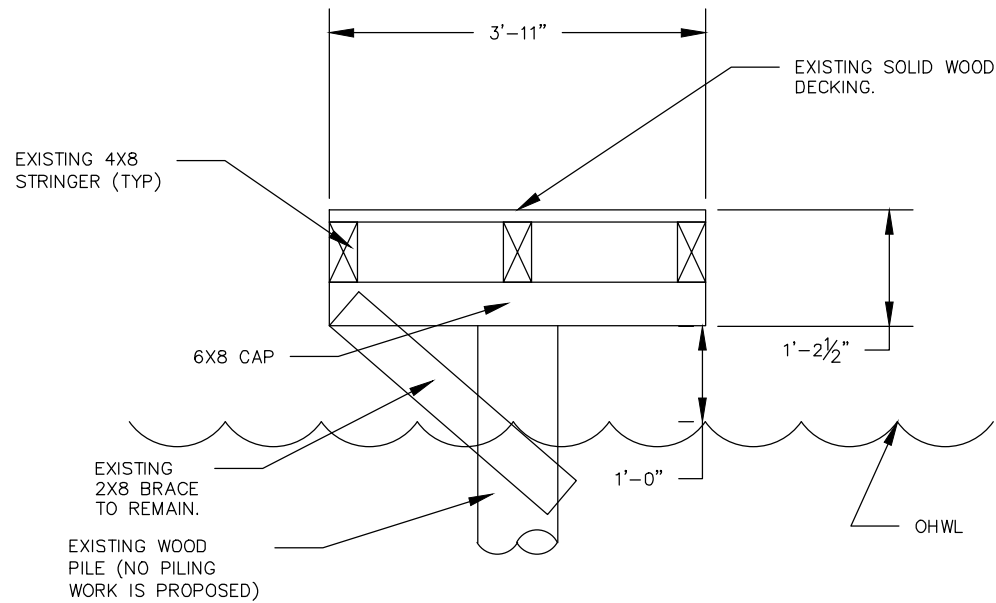
REVISED:
4-13-22



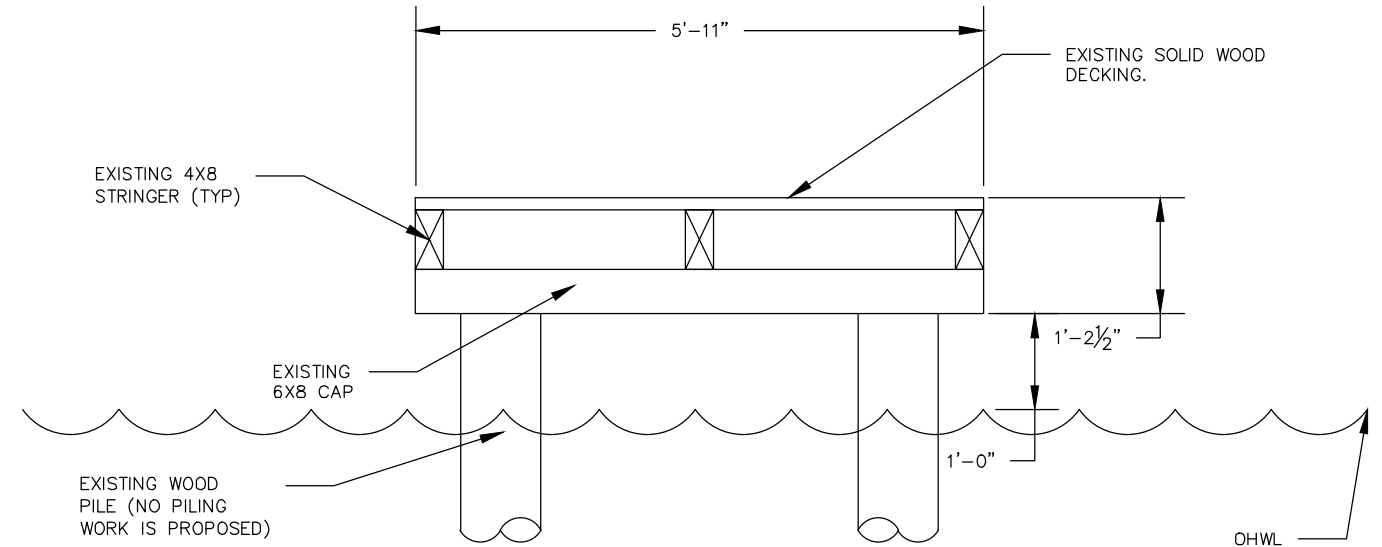
MARINE RESTORATION & CONSTRUCTION LLC

P.O. 208, Fall City, WA 98024 PHONE: (425) 576-8661
E-MAIL: INFO@MARINELLC.COM

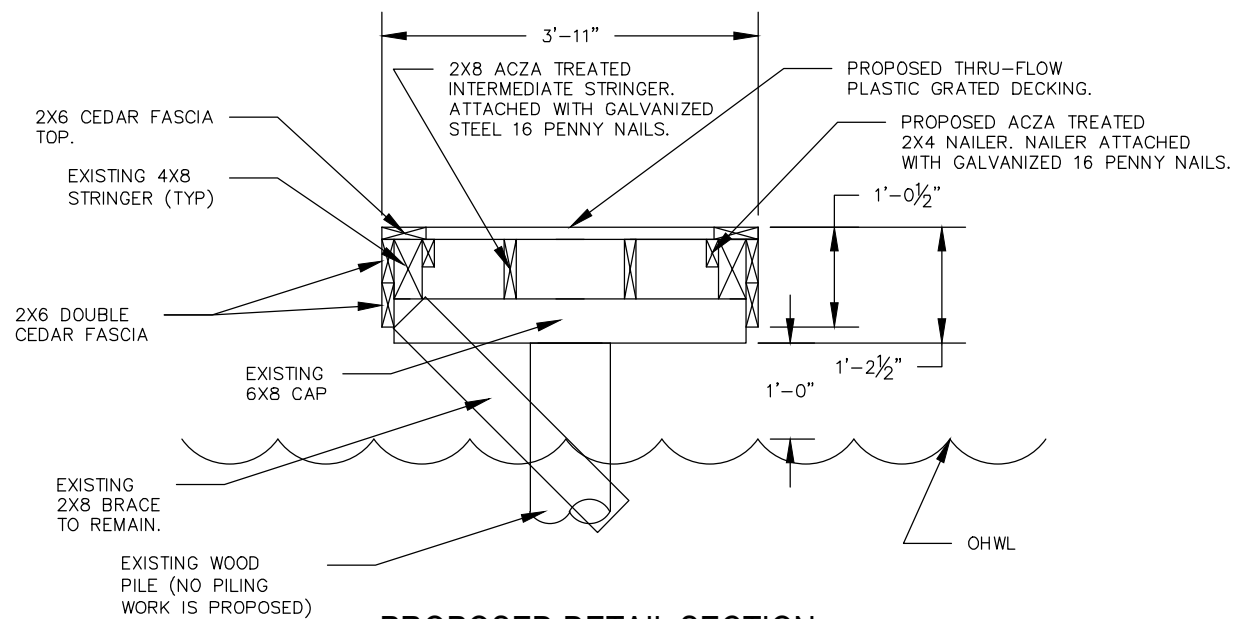
THIS DRAWING IS PROPERTY OF MARINE RESTORATION & CONSTRUCTION LLC AND MAY NOT BE COPIED OR REPRODUCED WITHOUT WRITTEN CONSENT



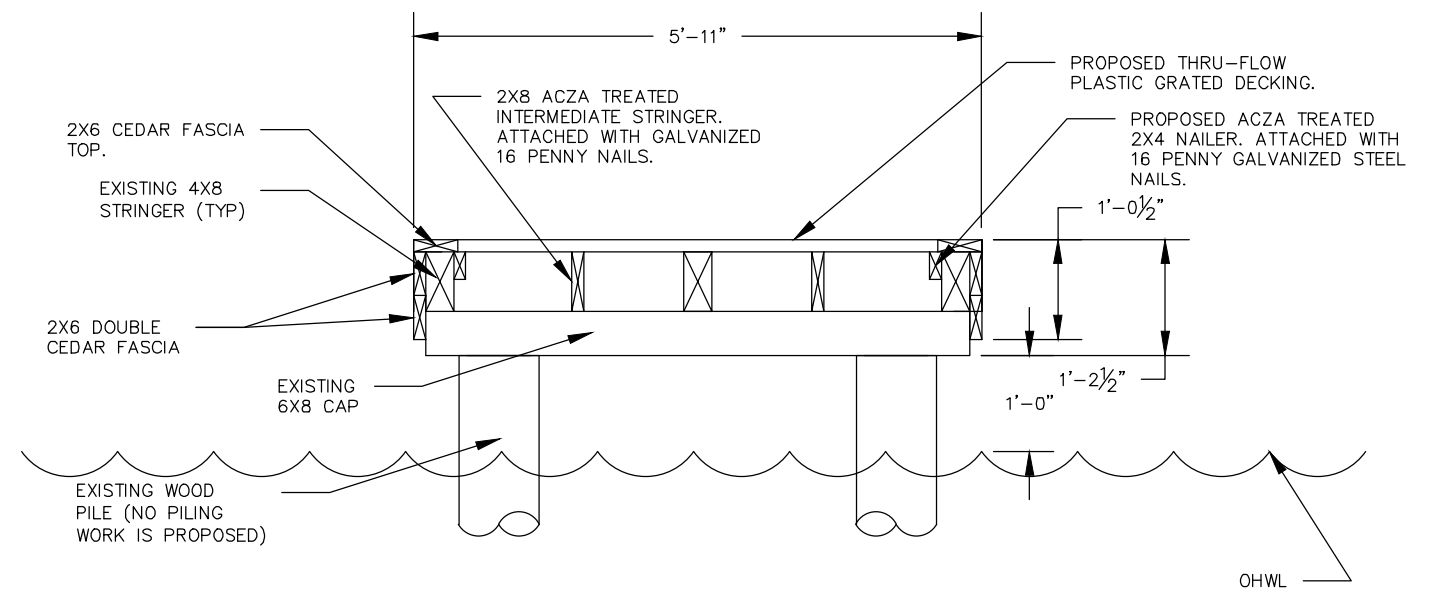
EXISTING DETAIL SECTION
SCALE: 1/2" = 1'-0"



EXISTING DETAIL SECTION
SCALE: 1/2" = 1'-0"



PROPOSED DETAIL SECTION
SCALE: 1/2" = 1'-0"



PROPOSED DETAIL SECTION
SCALE: 1/2" = 1'-0"

REVISED:
4-13-22

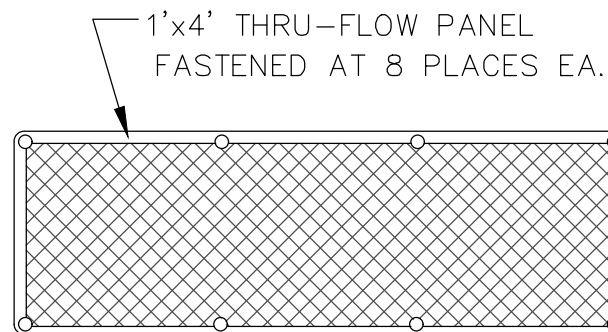


MARINE RESTORATION & CONSTRUCTION LLC

P.O. 208, Fall City, WA 98024 PHONE: (425) 576-8661
E-MAIL: INFO@MARINELLC.COM

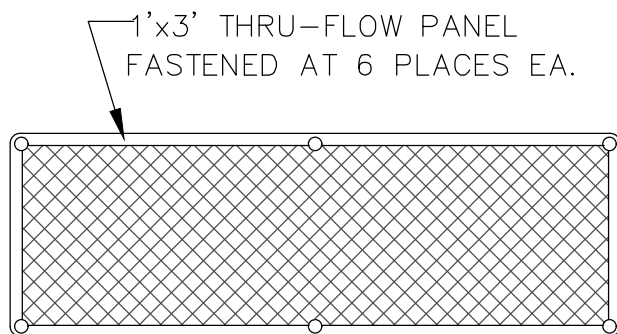
THIS DRAWING IS PROPERTY OF MARINE RESTORATION & CONSTRUCTION LLC
AND MAY NOT BE COPIED OR REPRODUCED WITHOUT WRITTEN CONSENT

PLOT DATE: 13 April 2022



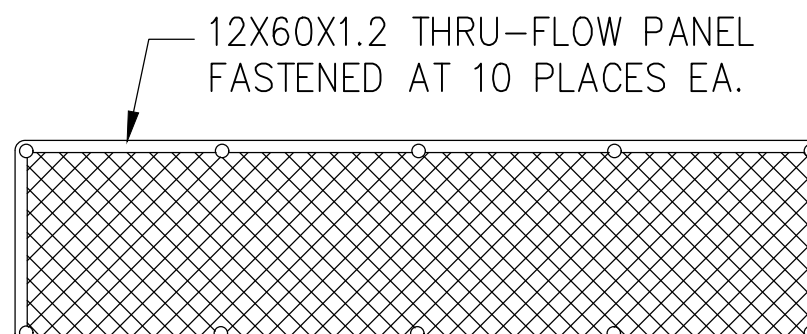
48" THRU-FLOW GRATED PANEL

N.T.S.



36" THRU-FLOW GRATED PANEL

N.T.S.

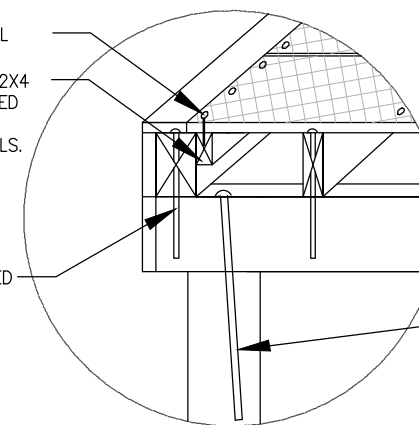


60" THRU-FLOW GRATED PANEL

N.T.S.

STAINLESS STEEL
SCREW (TYP)
ACZA TREATED 2X4
NAILER. ATTACHED
WITH 16 PENNY
GALVANIZED NAILS.

1/2" GALVANIZED
DRIFT PIN



3/4"x18" GALVANIZED
DRIFT PIN DOWN AT AN
ANGLE

CONNECTION DETAIL

N.T.S.

NOTE:

FIELD TREAT ANY CUTS AND EXPOSED EDGES
WITH "WOODLIFE" PRESERVATIVE. APPLY USING
PAINT BRUSH. PRECAUTION TO BE TAKEN TO
AVOID ANY SPILLS IN THE WATER.

REVISED:
4-13-22

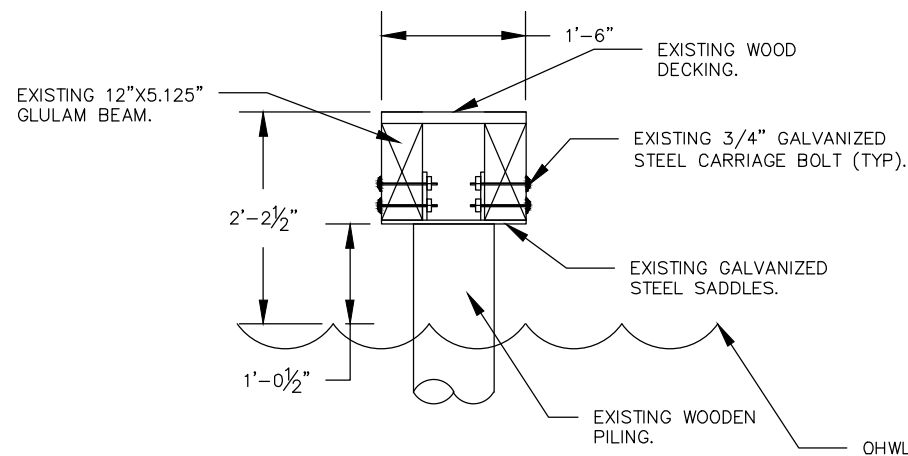
PAGE 6 of 8



MARINE RESTORATION & CONSTRUCTION LLC

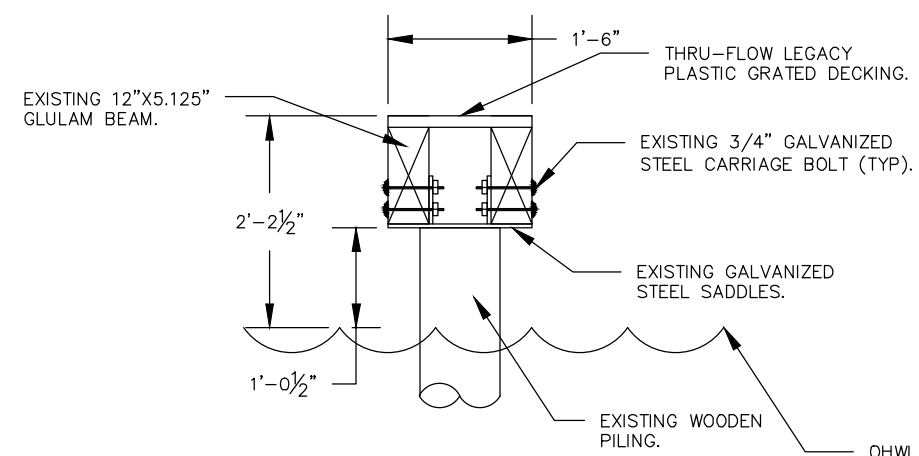
P.O. 208, Fall City, WA 98024 PHONE: (425) 576-8661
E-MAIL: INFO@MARINELLC.COM

THIS DRAWING IS PROPERTY OF MARINE RESTORATION & CONSTRUCTION LLC
AND MAY NOT BE COPIED OR REPRODUCED WITHOUT WRITTEN CONSENT



EXISTING FINGER ELL DETAIL SECTION

SCALE: 1/2" = 1'-0"



PROPOSED FINGER ELL DETAIL SECTION

SCALE: 1/2" = 1'-0"

ADDENDUM A:

REVISED:
4-13-22

PAGE 7 of 8



MARINE RESTORATION & CONSTRUCTION LLC

P.O. 208, Fall City, WA 98024 PHONE: (425) 576-8661
E-MAIL: INFO@MARINELLC.COM

THIS DRAWING IS PROPERTY OF MARINE RESTORATION & CONSTRUCTION LLC
AND MAY NOT BE COPIED OR REPRODUCED WITHOUT WRITTEN CONSENT

PLANTING LEGEND:

PLANTING AREA A:

- 1. BIG BLUE MONDO GRASS (BMG)
- 2. CAREX GRASS (●)
- 3. PRINCE SPIRIA (PS)
- 4. MEXICAN HEATHER (MH)
- 5. SWORD FERN (SF)

PLANTING AREA B:

- 1. BIG BLUE MONDO GRASS (BMG)
- 2. CAREX GRASS (●)
- 3. LILY (L)
- 4. YELLOW HEATHER (YH)

PLANTING AREA NOTES:

PLANT AREA CALCULATIONS:

- ① 753.6'
- ② 225'
- ③ 100'
- ④ 94.2'
- ⑤ 72'
- ⑥ 58.5'
- ⑦ 40'
- ⑧ 32'
- ⑨ 28.26'
- ⑩ 16'
- ⑪ 9.75'

TOTAL PLANTED AREA: 1429.31 SQ. FT.

TOTAL PLANTING AREA REQUIRED CALCULATIONS:

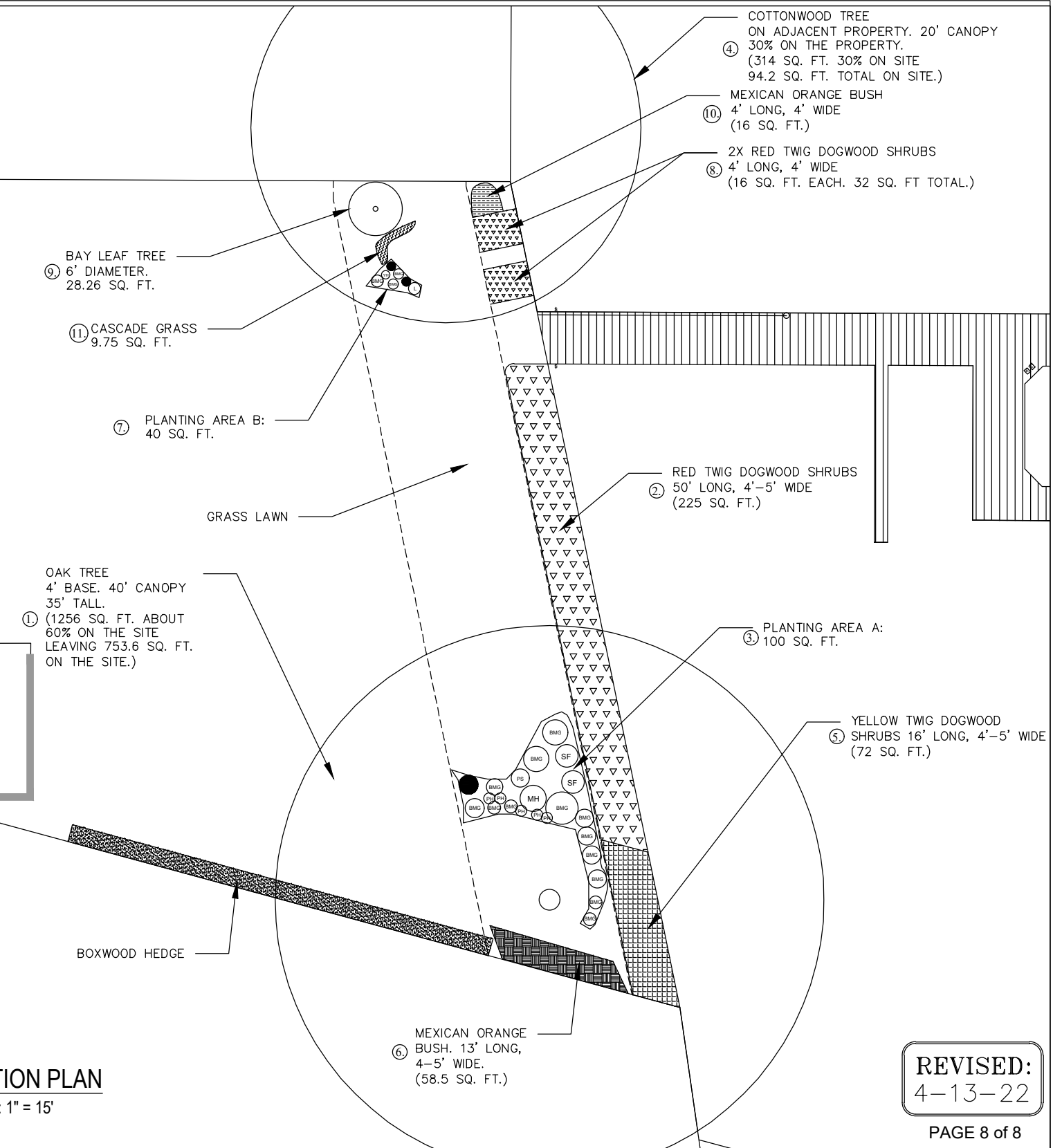
WATERFRONT: 80'
 20' VEGETATION AREA PER MICC 19.13.050(F)(iii): 1600 SQ. FT.
 REQUIRED 25% OF PLANTING AREA PLANTED: 400 SQ. FT.

EXISTING PLANTING IN VEGETATION AREA: 1429.31 SQ. FT.
 THE EXISTING VEGETATION OF THE SITE EXCEEDS REQUIREMENTS.

NOTE:
 Property information for this site was obtained from a quarter section. Marine Restoration & Construction LLC has added information from other sources including field measurements and aerial photos. We are not surveyors and can not guarantee great level of accuracy.

VEGETATION PLAN

SCALE: 1" = 15'



REVISED:
 4-13-22



MARINE RESTORATION & CONSTRUCTION LLC

P.O. 208, Fall City, WA 98024 PHONE: (425) 576-8661
 E-MAIL: INFO@MARINELLC.COM

THIS DRAWING IS PROPERTY OF MARINE RESTORATION & CONSTRUCTION LLC
 AND MAY NOT BE COPIED OR REPRODUCED WITHOUT WRITTEN CONSENT

PLOT DATE: 13 April 2022