

ZONING CODE ANALYSIS

CODE REFERENCES:
 MERCER ISLAND MUNICIPAL CODE, ADOPTED DECEMBER 1, 2014
 2012 INTERNATIONAL BUILDING CODE WITH STATEWIDE AND CITY AMENDMENTS
 2012 INTERNATIONAL RESIDENTIAL CODE WITH STATEWIDE AND CITY AMENDMENTS
 2012 SEATTLE ENERGY CODE - RESIDENTIAL
 2012 INTERNATIONAL MECHANICAL CODE WITH STATEWIDE AND CITY AMENDMENTS
 WASHINGTON CITIES ELECTRICAL CODE
 2012 INTERNATIONAL FIRE CODE WITH STATEWIDE AND CITY AMENDMENTS
 2012 INTERNATIONAL FUEL GAS CODE WITH STATEWIDE AND CITY AMENDMENTS
 2012 WASHINGTON STATE PLUMBING CODE WITH CITY AMENDMENTS

SECTION	EXISTING / REQUIRED	PROPOSED	COMPLIES	SHEET
ZONING	R-15	R-15	YES	G0.02
LOT SIZE	21,417.54 SF STEEP SLOPE			G0.02
CRITICAL AREAS	HILLSIDE (27.71 % MAX SLOPE)			A1.01
MAXIMUM BUILDABLE AREA	45% OF LOT AREA (21,417 SF) = 9,637.65 SF	9,637.65 SF	YES	G0.02
MAXIMUM IMPERVIOUS COVERAGE	30% OF LOT AREA (21,417 SF) = 6,425.10 SF	-	-	G0.02
BUILDING HEIGHT LIMIT	30' FROM AVERAGE BUILDING GRADE + 5' FOR ROOF WITH MINIMUM 4:12 PITCH FRONT = 20' MINIMUM	30'	YES	A3.01 / A3.02
SETBACKS	REAR = 25' MINIMUM	25'	YES	A1.01
	SIDES = 5' MINIMUM	5'	YES	A1.01
PARKING	1 PARKING SPACE / DWELLING UNIT	1 PARKING SPACE / DWELLING UNIT	YES	A2.01
PARKING ACCESS	ACCESS FROM PRIVATE ROAD	10 FT DRIVE	YES	A2.01
LANDSCAPING	TOTAL DIAMETER OF TREES RETAINED OR PLANTED = 2 INCH PER 1000 SF	1	YES	A1.01
FIRE SPRINKLERS	PER NFPA 13D - REQUIRED ON STRUCTURES 5,000 SF OR MORE	YES	YES	DEFERED
PROJECTIONS	36" ROOF EAVES AND GUTTERS		YES	A2.04
CONSTRUCTION TYPE	RESIDENTIAL - TYPE VA			
WATER	WATER DISTRICT			
SEWER / SEPTIC	PUBLIC			
ROAD ACCESS	PRIVATE			
STREET SURFACE	PAVED			

ENERGY CODE ANALYSIS

PERFORMANCE REQUIREMENT	MEET OR EXCEED THE 2012 WASHINGTON STATE ENERGY CODE	PROPOSED
TOTAL HEATED FLOOR AREA (GROSS)		3,017.01 SF
LEVEL 1		1,394 SF
LEVEL 2		976.21 SF
LEVEL 3		646.80
GLAZING AREA % OF FLOOR	OPTION III : UNLIMITED	1,310.67 SF
CLIMATE ZONE	MARINE 4	
FENESTRATION U-FACTOR	0.30	SEE WSEC GLAZING SCHEDULE
CEILING R-VALUE	R-49 OR R-38 ADVANCED FRAMED CEILING	R-50 & R-54 (SEE ROOF PLAN)
WOOD FRAME WALL ABOVE GRADE R-VALUE	R-21 (16 OC, HEADERS MIN R-10)	R-21
FLOOR R-VALUE / U-FACTOR	R = 30 / U = 0.029	R-30
SLAB ON GRADE R-VALUE	R = 10, 2'	R-10 (FULL UNDER)
BELOW GRADE U-FACTOR	0.042	
DOOR U-FACTOR	0.20	
DOOR U-FACTOR (DEFAULT GLAZED FENESTRATION U-FACTOR, METAL WITH THERMAL BREAK, DOUBLE PANE, TABLE R303.1.3 (1))	0.65	NOT APPLICABLE

CONTRACTOR NOTES

- GENERAL CONTRACTOR SHALL BE RESPONSIBLE FOR ANY AND ALL BONDS, CASH DEPOSITS, ETC. THAT THE CITY WILL REQUIRED TO FACILITATE CONSTRUCTION OF THE PROJECT.
- GENERAL CONTRACTOR WILL BE RESPONSIBLE TO PROVIDE WATER, SEWER, POWER AND TELEPHONE CONNECTIONS FOR THE CONSTRUCTION TRAILER.
- UNLESS QUALIFIED, NO PRODUCT SUBSTITUTIONS "OR EQUAL" PRODUCTS, EQUIPMENT OR MATERIALS SHALL BE ALLOWED.
- THE GENERAL CONTRACTOR SHALL OBTAIN AND PAY FOR ALL OTHER PERMITS REQUIRED BY LAW FOR THE EXECUTION OF THIS WORK UNLESS NOTED OTHERWISE. THE BASIC BUILDING PERMIT WILL BE OBTAINED AND PAID FOR BY THE OWNER. ALL TRADE PERMITS, IF REQUIRED BY JURISDICTION AUTHORITIES, AND FEES SHALL BE PAID FOR BY THE GENERAL CONTRACTOR. THE GENERAL CONTRACTOR SHALL ALSO OBTAIN AND PAY CERTIFICATES, INSPECTIONS AND OTHER LEGAL FEES REQUIRED, BOTH PERMANENT AND TEMPORARY, INCLUDING PLUMBING, ELECTRICAL AND HIGHWAY PERMITS UNLESS SPECIFICALLY OTHERWISE PROVIDED.
- GENERAL CONTRACTOR HAS RESEARCHED AND VERIFIED ALL TRASH, DEBRIS, AND RECYCLING REQUIREMENTS FOR THE CITY IN WHICH THIS WORK WILL BE PERFORMED AND HAS INCLUDED SUCH COSTS INTO THIS PROPOSAL.
- GENERAL CONTRACTOR IS RESPONSIBLE FOR SITE SURVEYING AND LAYOUT, OWNER TO PROVIDE ONE (1) BENCHMARK FOR GENERAL CONTRACTOR'S USE.
- IT IS THE RESPONSIBILITY OF THE GENERAL CONTRACTOR TO COORDINATE, FURNISH AND INSTALL ALL FRAMING, BACKING AND DEADWOOD REQUIREMENTS FOR EQUIPMENT AND MATERIALS INSTALLED IN THE BUILDING.
- JOINT SEALERS SHALL BE REQUIRED AT THE INTERSECTION OF ALL DISSIMILAR MATERIALS IN INTERIOR AND EXTERIOR CONDITIONS.
- ARCHITECTURAL, MECHANICAL, AND ELECTRICAL PENETRATIONS OF THE BUILDING ENVELOPE INCLUDING EXTERIOR WINDOWS, GRILLES, HVAC DUCTWORK, AND CONDUIT AS REQUIRED THROUGH THE EXTERIOR WALLS, ROOF DECKS, VERTICAL ROOF AND MANSARD WALLS SHALL REQUIRE MECHANICAL FLASHING IN ADDITION TO APPROPRIATE EXTERIOR SEALANTS TO PROVIDE AND ENSURE WATER-TIGHT CONDITIONS AT THESE LOCATIONS.
- GUTTERS, DOWNSPOUTS AND ALL EXTERIOR SHEET METALS ARE TO BE PRE-FINISHED AT THE FACTORY. COLOR SHALL BE SELECTED FROM THE MANUFACTURER'S FULL RANGE OF COLOR OPTIONS BY THE ARCHITECT. NO FIELD PAINTING TO BE ALLOWED.
- ALL EXTERIOR LOUVER GRILLES SHALL BE FACTORY PAINTED WITH KYNAR FINISH TO MATCH THE EXTERIOR FIELD COLOR IN WHICH THEY ARE LOCATED.
- ALL EXTERIOR METALS SHALL BE GALVANIZED, PRE-FINISHED OR FIELD PAINTED PER ARCHITECT COORDINATION GC SHALL ASSUME THE MOST STRINGENT FINISH IF NOT INDICATED ON DOCUMENTS.
- APPLIANCES - GENERALLY, THIS EQUIPMENT IS DELIVERED FACTORY DIRECT MOUNTINGS AND CONNECTIONS NOT INCLUDED. GENERAL CONTRACTOR SHALL MOUNT AND MAKE UP ALL REQUIRED CONNECTIONS TO MAKE THE EQUIPMENT FUNCTION PROPERLY.
- GENERAL CONTRACTOR IS RESPONSIBLE FOR PROVIDING A COMPLETE SET OF DRAWINGS TO EACH SUBCONTRACTOR AND FOR INSURING THAT THE WORK OF EACH SUBCONTRACTOR IS COORDINATED WITH THE WORK OF ALL OTHER SUBCONTRACTORS.
- THE LAST DATED REVISION VOIDS AND SUPERSEDES ANY AND ALL PREVIOUS DRAWINGS WITH THE SAME SHEET NUMBER. IT IS THE RESPONSIBILITY OF THE GENERAL CONTRACTOR TO RECOVER AND DISPOSE OF ALL SUPERSEDED / PREVIOUSLY ISSUED PLANS FROM ALL SUBCONTRACTORS, SUPPLIES AND MATERIAL PERSONS. ALL COSTS RESULTING FROM A FAILURE TO ISSUE REVISED SHEETS, AND RECOVERY / DISPOSAL OF SUPERSEDED SHEETS IN A TIMELY MANNER, SHALL BE ABSORBED BY THE GENERAL CONTRACTOR. THE OWNER AND ARCHITECT WILL NOT BE RESPONSIBLE FOR ANY COSTS ASSOCIATED WITH THE ABOVE.
- GENERAL CONTRACTOR SHALL BE RESPONSIBLE TO LOCATE ALL EXISTING UTILITIES AND PROTECT THEM FROM DAMAGE. THE CONTRACTOR SHALL BEAR ALL EXPENSES OF REPAIR OR REPLACEMENT OF UTILITIES OR OTHER PROPERTY DAMAGED BY OPERATIONS IN CONJUNCTION WITH THE EXECUTION OF THE WORK. ALL FINAL CONNECTIONS TO EXISTING UTILITIES SHALL BE BY THE CONTRACTOR.
- GENERAL CONTRACTOR SHALL BE RESPONSIBLE FOR THE SECURITY OF THE SITE THROUGHOUT THE CONSTRUCTION PROCESS.
- GENERAL CONTRACTOR SHALL TAKE ALL NECESSARY PRECAUTIONS TO ENSURE THE SAFETY OF THE OCCUPANTS AND WORKERS AS REQUIRED BY GENERAL CONDITIONS AND ALL APPLICABLE LOCAL, STATE, AND FEDERAL REGULATIONS. DO NOT OBSTRUCT STREETS, SIDEWALKS, ALLEYS OR OTHER RIGHT-OF-WAYS WITHOUT FIRST OBTAINING PROPER PERMITS.
- ALL FIRE RATED CONSTRUCTION SHALL CONFORM WITH CURRENT UL TESTED STANDARD AND/OR LOCAL REQUIREMENTS.

GENERAL NOTES

- DO NOT SCALE DRAWINGS. WRITTEN DIMENSIONS TAKE PRECEDENCE.
- DRAWINGS HAVE BEEN PREPARED ON AN ORIGINAL SHEET SIZE OF 24" X 36".
- INFORMATION REGARDING EXISTING CONDITIONS USED TO PREPARE THESE DRAWINGS HAS BEEN PROVIDED BY OTHERS. CONTRACTOR TO FIELD VERIFY EXISTING CONDITIONS PRIOR TO COMMENCING CONSTRUCTION. PROVIDE WRITTEN NOTIFICATION TO THE ARCHITECT OF ANY DISCREPANCIES BETWEEN EXISTING CONDITIONS AND THE DRAWINGS. THE ARCHITECT WILL ISSUE A WRITTEN DIRECTIVE IF FURTHER CLARIFICATION IS REQUIRED.
- CONTRACTOR TO FIELD VERIFY ALL DIMENSIONS, DATUM, LEVELS AND CONDITIONS PERTAINING TO THE WORK PRIOR TO COMMENCING CONSTRUCTION. PROVIDE WRITTEN NOTIFICATION TO THE ARCHITECT OF ANY DISCREPANCIES WITH THE DOCUMENTS. THE ARCHITECT WILL ISSUE A WRITTEN DIRECTIVE IF FURTHER CLARIFICATION IS REQUIRED.
- THESE DRAWINGS ARE THE EXCLUSIVE PROPERTY OF STUDIO19 ARCHITECTS, AND HAVE BEEN PREPARED FOR THE USE IN THE EXECUTION OF THE ENCLOSED PROJECT. USE OR REPRODUCTION FOR ANY OTHER PURPOSE WITHOUT THE WRITTEN PERMISSION OF STUDIO19 ARCHITECTS IS PROHIBITED.
- LEGENDS ON THE PLANS AND SCHEDULE IN THE SPECS SHALL BE COMPLEMENTARY.
- ALL CONSTRUCTION SHALL COMPLY WITH APPLICABLE CODES AND RESTRICTIONS ENFORCED BY AUTHORITIES HAVING JURISDICTION.

VENTILATION NOTES

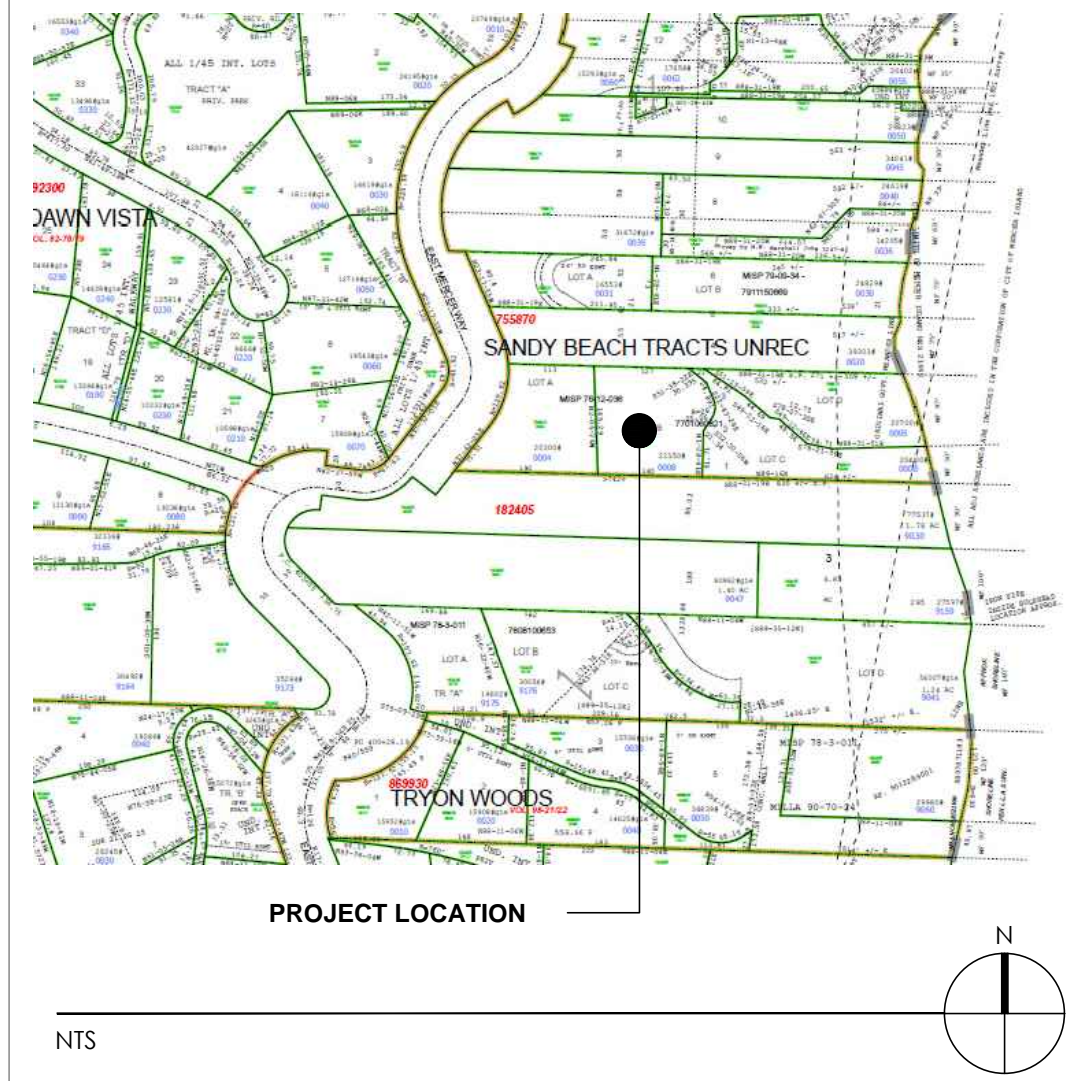
- WAC 51-13, WASHINGTON STATE VENTILATION AND INDOOR AIR QUALITY CODE SEATTLE RESIDENTIAL CODE (SRC), CHAPTER 15
- WHOLE HOUSE VENTILATION PER IRC M1508.7.
 - NOISE: WHOLE HOUSE FANS LOCATED FOUR FEET OR LESS FROM THE INTERIOR GRILLE SHALL HAVE A SONE RATING OF 1.0 OR LESS.
 - EXHAUST DUCTS SHALL TERMINATE OUTSIDE OF THE BUILDING.
 - OUTDOOR AIR DISTRIBUTION: OUTDOOR AIR SHALL BE DISTRIBUTED TO EACH HABITABLE ROOM BY MEANS SUCH AS INDIVIDUAL INLETS, SEPARATE DUCT SYSTEMS, OR A FORCED-AIR SYSTEM.
 - DOORS SHALL BE UNDERCUT TO A MINIMUM OF ONE-HALF INCH ABOVE THE SURFACE OF THE FINISH FLOOR COVERING. DOORS AND OPERABLE LITES IN WINDOWS ARE DEEMED NOT TO MEET THE OUTDOOR AIR SUPPLY INTAKE REQUIREMENTS.
 - INTERMITTENTLY OPERATING MINIMUM EXHAUST RATES FOR BATHROOMS = 50 CFM, KITCHENS = 100 CFM. - U.N.O.
 - EXHAUST HOOD SYSTEMS CAPABLE OF EXHAUSTING IN EXCESS OF 400 CFM SHALL BE PROVIDED WITH MAKEUP AIR AT A RATE APPROXIMATELY EQUAL TO THE EXHAUST AIR RATE. SUCH MAKEUP AIR SYSTEMS SHALL BE EQUIPPED WITH A MEANS OF CLOSURE AND SHALL BE AUTOMATICALLY CONTROLLED TO START AND OPERATE SIMULTANEOUSLY WITH THE EXHAUST SYSTEM. PER M1503.4

ENERGY CODE NOTES

- WASHINGTON STATE ENERGY CODE
- BUILDING AIR LEAKAGE TESTING, DEMONSTRATING 2.0 AIR EXCHANGES PER HOUR (MAX) IS REQUIRED PRIOR TO FINAL INSPECTION. THE TEST RESULTS SHALL BE POSTED ON THE RESIDENTIAL ENERGY COMPLIANCE CERTIFICATE.
 - EACH DWELLING UNIT IS REQUIRED TO BE PROVIDED WITH AT LEAST ONE PROGRAMMABLE THERMOSTAT FOR REGULATION OF TEMPERATURE (WSEC R403.1.1).
 - A SIGNED AFFIDAVIT DOCUMENTING THE DUCT LEAKAGE TEST RESULTS SHALL BE PROVIDED TO THE BUILDING INSPECTOR PRIOR TO AN APPROVED FINAL INSPECTION (WSEC R402.4.1.2).
 - DUCT LEAKAGE TEST RESULTS SHALL BE PROVIDED TO THE BUILDING INSPECTOR AND HOMEOWNER PRIOR TO APPROVED FINAL INSPECTION (WSEC R403.2.2 AND WSU RS-33).
 - MINIMUM 75% OF ALL INTERIOR LUMINAIRES SHALL BE HIGH EFFICACY LUMINAIRES, AND ALL EXTERIOR LIGHTING SHALL BE HIGH EFFICACY LUMINAIRES (WSEC R404.1).
 - ALL HEADERS IN EXTERIOR WALLS TO HAVE A MINIMUM R-10 INSULATION.
 - ALL DUCTS NOT LOCATED COMPLETELY INSIDE THE BUILDING THERMAL ENVELOPE SHALL BE INSULATED TO A MINIMUM OF R-8.
 - REQUIRED SLAB PERIMETER INSULATION TO BE WATER RESISTANT MATERIAL, MANUFACTURED FOR ITS INTENDED USE, AND INSTALLED ACCORDING TO MANUFACTURER'S SPECIFICATIONS. FOR SLABS INSIDE FOUNDATION WALL, THE INSULATION SHALL BE INSTALLED TO PROVIDE A THERMAL BREAK BETWEEN THE SLAB EDGE AND THE FOUNDATION. MONOLITHIC SLABS SHALL INCLUDE INSULATION, INSTALLED OUTSIDE THE FOUNDATION WALL, AND SHALL EXTEND DOWNWARD FROM THE TOP OF THE SLAB FOR A MINIMUM DISTANCE OF 24" OR DOWNWARD AND THEN HORIZONTALLY FOR A MINIMUM COMBINED DISTANCE OF 24". AND SHOULD INCLUDE R-10 INSULATION UNDER THE NON-LOAD BEARING PORTIONS OF THE SLAB.
 - INSULATION FOR HOT WATER PIPES SHALL BE A MINIMUM OF R-4.
 - WASHINGTON STATE ENERGY CREDITS PER TABLE 406.2:
 - EFFICIENT BUILDING ENVELOPE PRESCRIPTIVE COMPLIANCE BASED ON TABLE R402.1 WITH THE FOLLOWING MODIFICATIONS:
 FENESTRATION U = 0.28
 SLAB ON GRADE, R-10 PERIMETER AND UNDER ENTIRE SLAB BELOW GRADE SLAB R-10 PERIMETER AND UNDER ENTIRE SLAB OR COMPLIANCE BASED ON SECTION R402.1.4: REDUCE TOTAL UA BY 5% CREDITS FROM THIS OPTION = 0.5
 - AIR LEAKAGE CONTROL AND EFFICIENT VENTILATION COMPLIANCE BASED ON SECTION R402.4.1.2 REDUCE TESTED AIR LEAKAGE TO 2.0 AIR CHANGES PER HOUR MAX, AND ALL WHOLE HOUSE VENTILATION REQUIREMENTS AS DETERMINED BY SECTION M1507.3 OF THE IRC.

 PROVIDE BALANCED WHOLE HOUSE VENTILATION SYSTEM WITH MINIMUM SENSIBLE HEAT RECOVERY EFFICIENCY OF 0.70 PER WSEC R403.5 CREDITS FROM THIS OPTION = 1.0
 - EFFICIENT WATER HEATING GAS, PROPANE, OR OIL WATER HEATER WITH MINIMUM EF OF 0.62 CREDITS FROM THIS OPTION = 0.5

VICINITY MAP



SITE DESCRIPTION

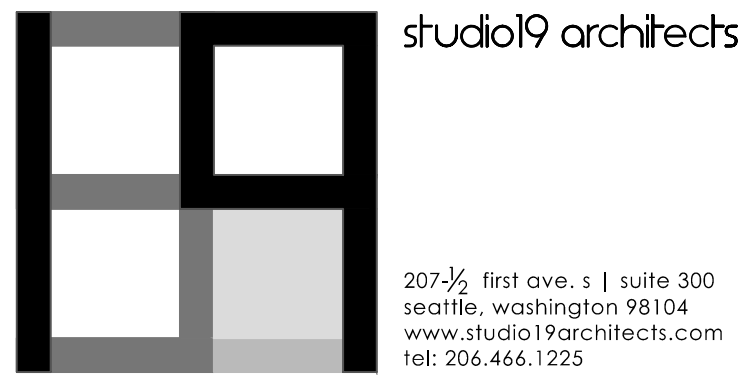
PARCEL # 755870-0008
 LEGAL DESCRIPTION SANDY BEACH TRS UNREC LOT B CITY OF MERCER ISLAND SHORT PLAT 76-12-036 REC #7701060821 SD SP DAF - LOTS 1-2 & 3
 PROPERTY ADDRESS: 4634 EAST MERCER WAY, MERCER ISLAND, WA 98040
 LOT SIZE 21,417.54 GSF PER SURVEY
 WIDTH 159.65'
 DEPTH 145.19'
 WATERFRONT NONE
 ACCESS PRIVATE ROAD FROM EAST MERCER WAY
 EASEMENTS ACCESS EASEMENT AS DEFINED IN SHORT PLAT 76-12-036 REC#7701060821

PROJECT INFORMATION

PROJECT DESCRIPTION: A NEW CONSTRUCTION OF A 3 LEVEL SINGLE FAMILY RESIDENCE
 PROPERTY ADDRESS: 4634 EAST MERCER WAY, MERCER ISLAND, WA 98040
 SEISMIC ZONE: ZONE 3
 PARCEL #: 755870-0008
 LOT AREA: 21,417.54 GSF PER SURVEY
 BUILDING AREAS:
 LEVEL 1: 1,716 SQ FT
 LEVEL 2: 2,408 SQ FT
 LEVEL 3: 2,364 SQ FT
 TOTAL LIVABLE AREA: 6,488 SQ FT
 F.A.R. 30.29 %
 LEVEL 1 GARAGE: 898 SQ FT
 LEVEL 2 VIEW DECK 1: 431 SQ FT
 LEVEL 2 VIEW DECK 2: 217 SQ FT
 LEVEL 3 VIEW DECK 3: 148 SQ FT
 LEVEL 3 ROOF DECK: 262 SQ FT
 TOTAL STRUCTURE SF: 8,444 SQ FT
 IMPERVIOUS AREAS:
 STRUCTURE FOOTPRINT: 3,511 SQ FT
 ENTRY STAIR: 477 SQ FT
 LEVEL 1 PATIO: 73 SQ FT
 LEVEL 2 PATIO: 316 SQ FT
 DRIVEWAY: 1,500 SQ FT
 TOTAL IMPERVIOUS AREA: 5,877 SQ FT
 PERCENTAGE LOT COVERAGE: 27.44 %

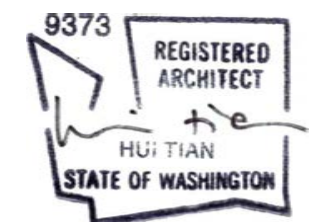
MECHANICAL, ELECTRICAL, AND PLUMBING NOTES

MECHANICAL, ELECTRICAL, AND PLUMBING DRAWINGS AND CALCULATIONS TO BE DEFERRED.



CONSULTANT: _____

PROFESSIONAL SEAL: _____



PROJECT: _____

a project for:

 PO BOX 1733 AUBURN, WA 98071
 Phone: (206) 724-1072

EAST MERCER RESIDENCE

4634 EAST MERCER WAY
 MERCER ISLAND, WA 98040

SHEET ISSUE: _____

DATE	DESCRIPTION
6/24/2015	PERMIT SUBMITTAL
8/29/2016	PERMIT APPROVED
6/05/2017	REVISION TO PERMIT

MARK DATE DESCRIPTION

MUNICIPALITY REVIEW: _____

PROJECT # MERCER ISLAND 15 - 015

SHEET TITLE: _____

CODE SUMMARY

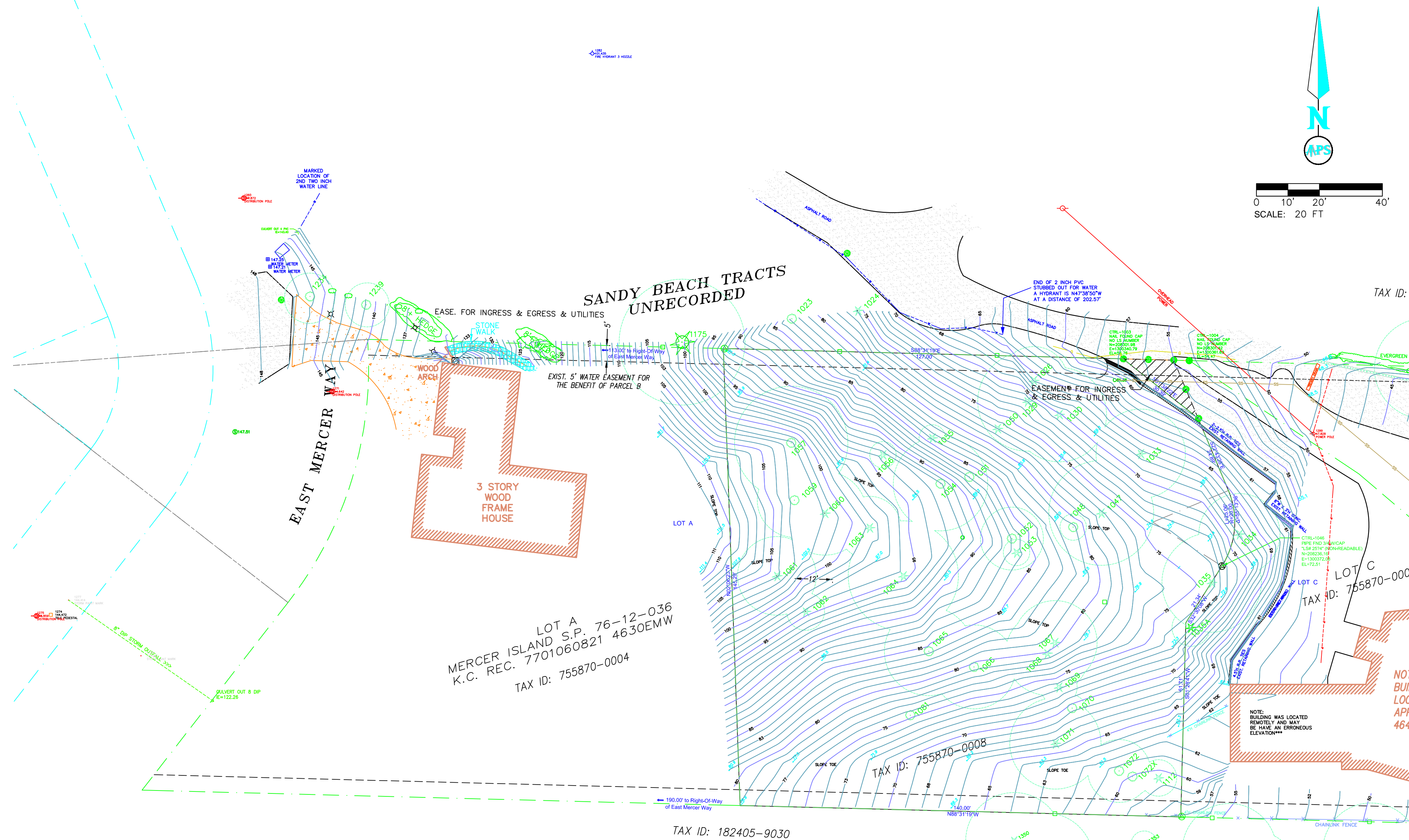
PROJECT NO.: 20140904

DATE ISSUED: 6/05/2017

SHEET NUMBER: _____

G0.02

WITHIN THE SE 1/4 PF THE SE 1/4 OF SECTION 18, TOWNSHIP 24 NORTH, RANGE 05 EAST, W.M., IN KING COUNTY, WASHINGTON



- GENERAL NOTES**
1. THE SOLE PURPOSE OF THIS SURVEY IS TO TOPOGRAPH AND ILLUSTRATE THE UTILITY, INGRESS/ EGRESS AND SEWER EASEMENT WITHIN THE PROPERTY, AS SHOWN HEREON.
 2. OUR CLIENT, BARCELO HOMES, HAS NOT FURNISHED APS SURVEY & MAPPING WITH A TITLE REPORT OF THE BOUNDARIES. A COMBINATION OF RECORD OF SURVEYS AND PLATS WERE USED IN CONCERT WITH FOUND MONUMENTATION TO DETERMINE THE BOUNDARIES SHOWN HEREON. ACTUAL OWNERSHIP STATUS MAY VARY.
 3. THIS SURVEY WAS BASED ON A RTK VRS SURVEY (USING TRIMBLE R8 UNITS) IN COMBINATION WITH A CONVENTIONAL SURVEY (USING TRIMBLE 5600 TOTAL STATIONS, LEICA 1" TO 5" TOTAL STATION). THIS NETWORK MEETS OR EXCEEDS THE ACCURACY STANDARDS SET BY WAC 332-130-090.
 4. ALL MONUMENTS WERE OCCUPIED OR OBSERVED DURING THE MONTH OF APRIL OF 2015.
 5. ALL MEASURING INSTRUMENTS AND EQUIPMENT USED FOR THIS SURVEY WERE MAINTAINED IN ADJUSTMENT ACCORDING TO MANUFACTURER'S SPECIFICATIONS.
 6. THIS SURVEY DOES NOT CONSTITUTE A SUBDIVISION OF LAND.
 7. THE LOCATION OF SUBSURFACE UTILITIES ARE BASED ON OBSERVED UTILITY PAINT MARKS ON THE SURFACE, AND SET THERE BY OTHERS.
 8. ALL COORDINATES AND BEARINGS ARE BASED ON OBSERVATIONS USING THE WASHINGTON STATE PREFERENCE NETWORK, THE WASHINGTON STATE PLANE COORDINATE SYSTEM, NORTH ZONE, EXPRESSED IN US SURVEY FEET.
 9. ALL VERTICAL ELEVATIONS ARE BASED ON NAVD88 DATUM FROM THE FOLLOWING DESCRIBED BENCHMARK.

SPECIAL SURVEY NOTE

THIS SURVEY WAS PREPARED FOR THE EXCLUSIVE USE OF BARCEL HOMES, AND DOES NOT EXTEND TO ANY UNNAMED PARTY WITHOUT EXPRESS RECERTIFICATION BY APS SURVEY & MAPPING, LLC AND/OR THE PROFESSIONAL LAND SURVEYOR NAMED HEREON, NAMING SAID PARTY.

TYPICAL

OUTER CIRCLE = DRIPLINE
NUMBER ALONG SIDE = THE TREE DESCRIPTION ON THE CHART
THE TREE SYMBOL = A DECIDUOUS TREE

OUTER CIRCLE = DRIPLINE
NUMBER ALONG SIDE = THE TREE DESCRIPTION ON THE CHART
THE TREE SYMBOL = A EVERGREEN TREE

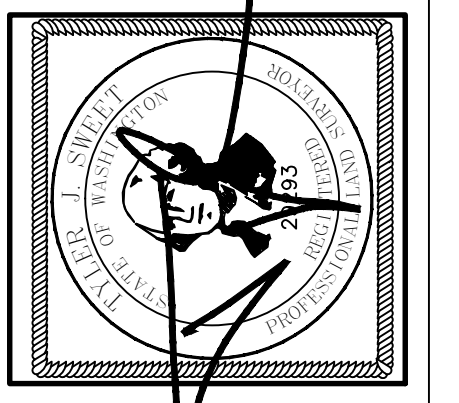
THE FOLLOWING HATCHING PATTERN AT THE NORTHWESTERLY CORNER OF LOT C REFERS TO AN EASEMENT ACROSS A PORTION OF LOT C CONTAINING AN INGRESS / EGRESS AND UTILITY EASEMENT FOR THE BENEFIT OF LOT B.

REF	TYPE	DIA. (INCHES)	REF	TYPE	DIA. (INCHES)
1023	MAPLE	6 6 6 6 8 10 NORTH OF SITE	1175	CEDAR	48 LOT A
1024	CEDAR	14 NORTH OF SITE	1234	DECID.	4 LOT A
1026	HEMLOCK	26	1339	DECID.	4 LOT A
1029	FIR	38	1308	CEDAR	36 LOT D
1030	FIR	38	1329	CEDAR	22 LOT D
1033	FIR	34	1326	DECID.	10 LOT D
1034	FIR	31	1344	CEDAR	24 LOT D
1035	FIR	38	1346	CEDAR	22 LOT D
1035A	FIR	4 FROM ARBORIST	1347	CEDAR	18 LOT D
1047	FIR	40	1348	CEDAR	18 LOT D
1048	CHERRY	10	1349	CEDAR	26 LOT D
1050	FIR	12 DEAD SNAG			
1051	MAPLE	10 DEAD SNAG			
1052	MAPLE	24			
1053	CEDAR	10			
1054	MAPLE	36 12			
1055	HEMLOCK	10			
1056	FIR	10			
1057	MAPLE	36			
1059	MAPLE	27			
1060	FIR	32			
1061	FIR	30			
1062	HEMLOCK	12			
1063	FIR	24			
1064	FIR	42			
1065	MAPLE	34			
1066	MAPLE	32			
1067	FIR	42			
1068	CEDAR	32			
1069	CEDAR	14			
1070	MAPLE	10			
1071	CEDAR	35			
1072	MAPLE	12			
1072X	MAPLE	8 FROM ARBORIST			
1081	MAPLE	16 DEAD SNAG			
1112	HEMLOCK	14			

APS SURVEY & MAPPING
18274 S.E. 28TH STREET, SUITE A
BELLEVUE, WASHINGTON 98005
TEL: (425) 746-3200
FAX: (425) 746-3342

VOSB
Verified Small Business

cm
Member

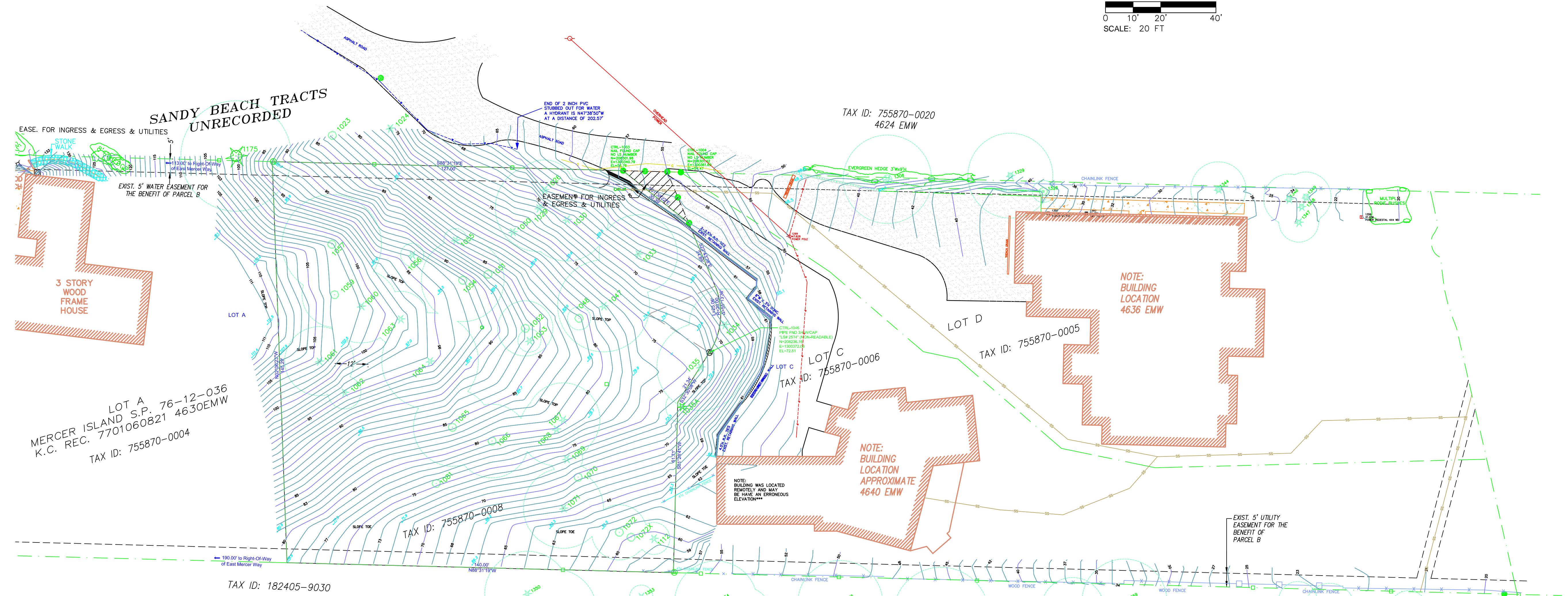
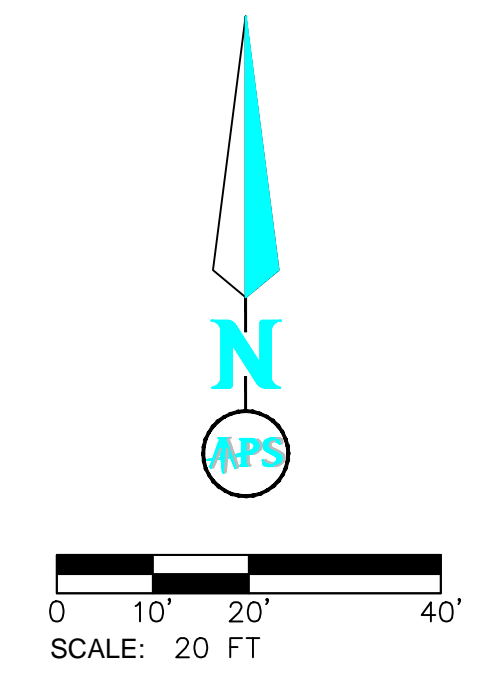


AS-BUILT SURVEY of
4634 EAST MERCER WAY
BARCELO HOMES

WASHINGTON
MERCER ISLAND
DATE: 5/27/15
APSSM PROJECT NO.: 1294002
ACAD DWG NAME: rev1294002-ARCH.DWG

SURVEYED BY:	TJS	CHECKED BY:	APPROVED BY:
DRAWN BY:	MAGC	REVISION	CK'D
DATE	BY	REVISION	APPR.

WITHIN THE SE 1/4 PF THE SE 1/4 OF SECTION 18, TOWNSHIP 24 NORTH, RANGE 05 EAST, W.M., IN KING COUNTY, WASHINGTON



LOT A
MERCER ISLAND S.P. 76-12-036
K.C. REC. 7701060821 4630EMW
TAX ID: 755870-0004

TAX ID: 755870-0008

LOT C
TAX ID: 755870-0006

LOT D
TAX ID: 755870-0005

TAX ID: 755870-0020
4624 EMW

TAX ID: 182405-9030

REF	TYPE	DIA. (INCHES)
1023	MAPLE	6 6 6 8 10 NORTH OF SITE
1024	CEDAR	14 NORTH OF SITE
1026	HEMLOCK	26
1029	FIR	38
1030	FIR	36
1033	FIR	34
1034	FIR	31
1035	FIR	38
1035A	FIR	4 FROM ARBORIST
1047	FIR	40
1048	CHERRY	10
1050	FIR	12 DEAD SNAG
1051	MAPLE	10 DEAD SNAG
1052	MAPLE	24
1053	CEDAR	10
1054	MAPLE	36 12
1055	HEMLOCK	10
1056	FIR	10
1057	MAPLE	36
1059	MAPLE	27
1060	FIR	32
1061	FIR	30
1062	HEMLOCK	12
1063	FIR	24
1064	FIR	42
1065	MAPLE	34
1066	MAPLE	32
1067	FIR	42
1068	CEDAR	32
1069	CEDAR	14
1070	MAPLE	10
1071	CEDAR	35
1072	MAPLE	12
1072X	MAPLE	8 FROM ARBORIST
1091	MAPLE	16 DEAD SNAG
1112	HEMLOCK	14

REF	TYPE	DIA. (INCHES)
1175	CEDAR	48 LOT A
1234	DECID.	4 LOT A
1359	DECID.	4 LOT A
1308	CEDAR	38 LOT D
1329	CEDAR	22 LOT D
1326	DECID.	10 LOT D
1344	CEDAR	24 LOT D
1346	CEDAR	22 LOT D
1347	CEDAR	18 LOT D
1348	CEDAR	18 LOT D
1349	CEDAR	26 LOT D

ESTIMATED (COULD NOT GAIN ACCESS)

1350	CEDAR	22 4644 E. MERCER
1351	CEDAR	18 4644 E. MERCER
1352	DECID.	8 4644 E. MERCER
1353	CEDAR	8 4644 E. MERCER
1354	CEDAR	22 4644 E. MERCER
1355	CEDAR	16 4644 E. MERCER
1356	CEDAR	22 4644 E. MERCER
1357	CEDAR	26 4644 E. MERCER
1358	CEDAR	12 4644 E. MERCER
1359	CEDAR	22 4644 E. MERCER
1360	DECID.	6 4644 E. MERCER
1361	DECID.	10 4644 E. MERCER
1362	DECID.	8 4644 E. MERCER

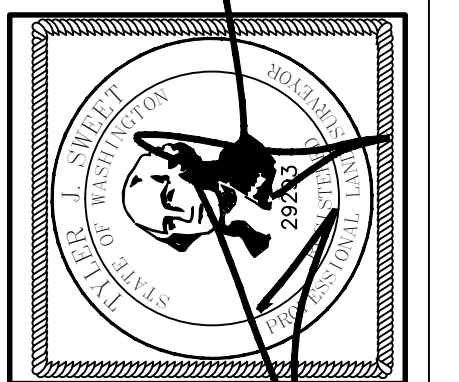
SANDY BEACH TRACTS
UNRECORDED
4644 EMW

TYPICAL
 OUTER CIRCLE = DRIPLINE
 NUMBER ALONG SIDE = THE TREE DESCRIPTION ON THE CHART
 THE TREE SYMBOL = A DECIDUOUS TREE
 OUTER CIRCLE = DRIPLINE
 NUMBER ALONG SIDE = THE TREE DESCRIPTION ON THE CHART
 THE TREE SYMBOL = A EVERGREEN TREE

THE FOLLOWING HATCHING PATTERN AT THE NORTHWESTERLY CORNER OF LOT C REFERS TO AN EASEMENT ACROSS A PORTION OF LOT C CONTAINING AN INGRESS / EGRESS AND UTILITY EASEMENT FOR THE BENEFIT OF LOT B.

APS SURVEY & MAPPING
 18274 S.E. 28TH STREET, SUITE A
 BELLEVUE, WASHINGTON 98005
 TEL: (425) 746-3200
 FAX: (425) 746-3342

VOSB
 Veteran Owned Small Business
cm

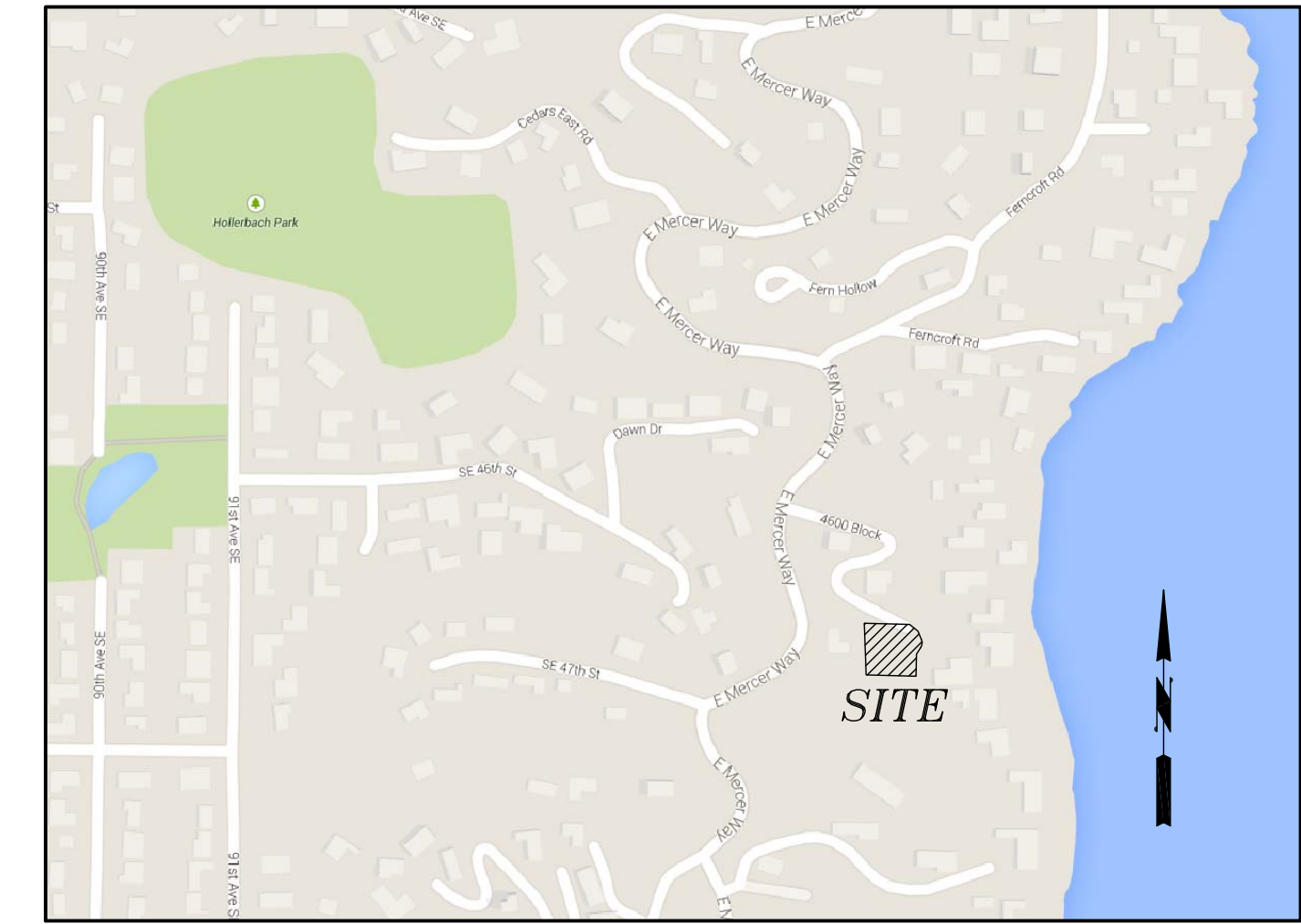


WASHINGTON
 rev/294002-ARCH.DWG
 ACAD DWG NAME:
 PROJECT NO.: 1294002
 DATE: 5/27/15
 APSSM PROJECT NO.:
 BARCELO HOMES
 4634 EAST MERCER WAY
 AS-BUILT SURVEY of
 MERCER ISLAND

SURVEYED BY:	CHECKED BY:	APPROVED BY:	DATE	BY	REVISION	CK'D	APPR.
TJS							
MAGG							

SEC. 18, TWN. 24N, RGE. 5E, W.M.

COVER SHEET



VICINITY MAP
NOT TO SCALE

PROJECT DATA

PROPERTY ADDRESS: 4634 EAST MERCER WAY
MERCER ISLAND, WASHINGTON 98040
755870-0008
TAX LOT NUMBER: 21,350 SF (0.49 ACRES)
SITE AREA: R-15 = RESIDENTIAL 15
ZONING

LEGAL DESCRIPTION

SANDY BEACH TRS UNREC LOT B
CITY OF MERCER ISLAND SHORT
PLAT 76-12-036 REC #7701060821
SD SP DAF - LOTS 1-2 & 3;

PROJECT TEAM

OWNER/DEVELOPER: BARCELO HOMES
PO BOX 1733
AUBURN, WA 98071
CONTACT: BOGDAN MAKSIMCHUK
PHONE: (206) 724-1072

ARCHITECT: STUDIO 19 ARCHITECTS
207 1/2 1ST AVENUE SOUTH
SEATTLE, WASHINGTON 98104
CONTACT: ANDREW WISDOM
PHONE: (206) 466-1225

CIVIL ENGINEER: LITCHFIELD ENGINEERING
12840 81ST AVE NE
KIRKLAND, WA 98034
(425) 821-5038
CONTACT: KEITH LITCHFIELD, PE

GEOTECHNICAL ENGINEER: PANGEO, INC
3213 EASTLAKE AVENUE E, STE. B
SEATTLE, WA 98102
CONTACT: MICHAEL H. XUE, PE
(206) 262-0374

SURVEYOR: APS SURVEYING AND MAPPING
13221 SE 26TH STREET, SUITE A
BELLEVUE, WASHINGTON 98005
CONTACT: TYLER SWEET, PLS
PHONE: (425) 746-3342

DATUM

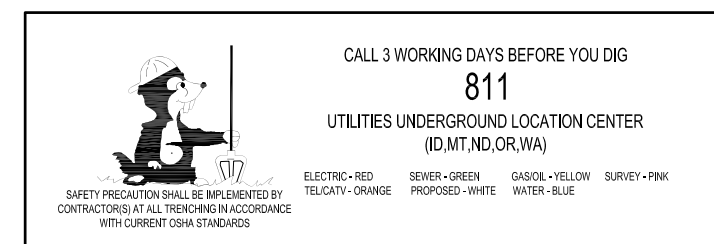
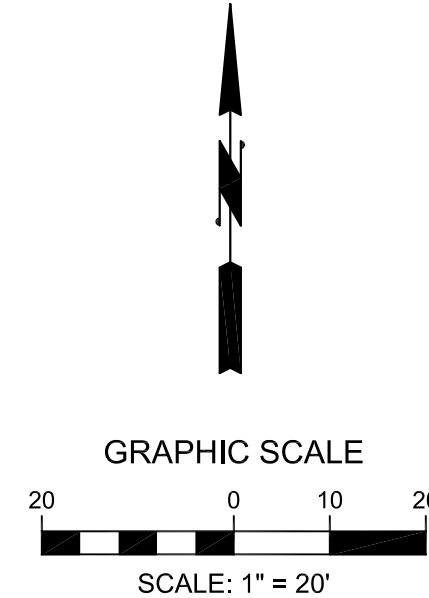
NAVD88
BENCHMARK: POINT NAME: 4135:
1/4" BRASS PIN IN CONC.
(DOWN 1.0') INTX. E. MERCER WAY
& SE 68th ST.
ELEVATION: 158.465

SHEET INDEX

- COVER SHEET
- TESC PLAN
- SITE IMPROVEMENT PLAN
- CONSTRUCTION DETAILS
- TEMPORARY EXCAVATION PLAN
- STORM DRAIN OUTFALL PROFILE

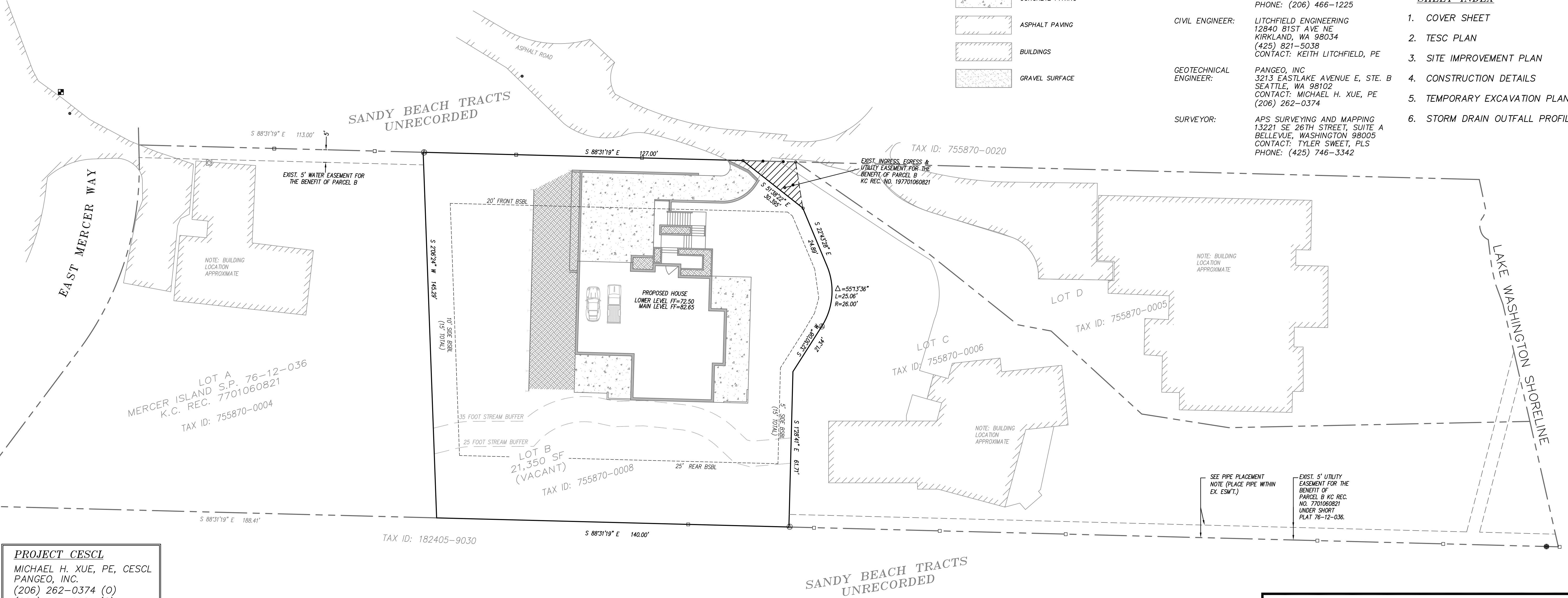
GENERAL NOTES

- A PRE-CONSTRUCTION CONFERENCE SHALL BE HELD PRIOR TO THE START OF CONSTRUCTION. THE CONTRACTOR SHALL BE RESPONSIBLE FOR SECURING ALL NECESSARY PERMITS PRIOR TO CONSTRUCTION.
- SPECIAL INSPECTIONS BY CITY INSPECTOR ARE REQUIRED DURING CONSTRUCTION. GENERAL CONTRACTOR TO COORDINATE.
- ALL ROADWAY WORK AND MATERIAL SHALL BE IN ACCORDANCE WITH THE CURRENT APWA AND CITY OF MERCER ISLAND STANDARDS AND SPECIFICATIONS.
- A COPY OF THE APPROVED CONSTRUCTION PLANS MUST BE ON THE JOB SITE WHENEVER CONSTRUCTION IS IN PROGRESS.
- ALL TRENCH BACKFILL SHALL BE COMPACTED TO 95 PERCENT DENSITY IN ROADWAYS, ROADWAY SHOULDERS, ROADWAY PRISM AND DRIVEWAYS, AND 85 PERCENT DENSITY IN UNPAVED AREAS. ALL PIPE ZONE COMPACTON SHALL BE 95 PERCENT.
- IT IS THE RESPONSIBILITY OF THE CONTRACTOR TO PROVIDE ADEQUATE TEMPORARY TRAFFIC CONTROL TO ENSURE TRAFFIC SAFETY DURING CONSTRUCTION ACTIVITIES. ALL TRAFFIC CONTROL DEVICES SHALL CONFORM TO THE "MANUAL ON UNIFORM TRAFFIC CONTROL DEVICES" (MUTCD).
- MEASURES SHALL BE TAKEN BY THE DEVELOPER TO PROVIDE GROUND COVER IN AREAS WITHIN THE RIGHT-OF-WAY WHICH HAVE BEEN STRIPPED OF NATURAL VEGETATION OR HAVE A POTENTIAL FOR EROSION.
- ANY EXISTING PUBLIC IMPROVEMENTS DAMAGED DURING CONSTRUCTION SHALL BE REPLACED PRIOR TO FINAL INSPECTION.
- THE CONTRACTOR IS RESPONSIBLE FOR KEEPING ALL PUBLIC STREETS FREE FROM MUD AND DEBRIS AT ALL TIMES.
- ALL EXISTING ON-SITE STRUCTURES AND ASSOCIATED UTILITIES TO BE DEMOLISHED, REMOVED, AND/OR ABANDONED PER APPLICABLE JURISDICTIONAL REQUIREMENTS.
- DEFICIENCIES, WHETHER CAUSED BY CONTRACTOR OPERATIONS OR NOT CAUSED BY THE CONTRACTOR'S OPERATIONS, SHALL BE REPAIRED IMMEDIATELY.
- THE CONTRACTOR SHALL MAINTAIN ROADS AND STREETS ADJACENT TO THE PROJECT LIMITS WHEN AFFECTED BY THE CONTRACTOR'S OPERATIONS. THE CONTRACTOR SHALL REMOVE OR REPAIR ANY CONDITION RESULTING FROM THE WORK THAT MIGHT IMPEDE TRAFFIC OR CREATE A HAZARD. PUBLIC ROADWAYS SHALL BE BROOMED CLEAN AT THE END OF EACH WORK DAY.
- THE CONTRACTOR SHALL BE RESPONSIBLE FOR PROVIDING ADEQUATE SAFEGUARDS, SAFETY DEVICES, PROTECTIVE EQUIPMENT, AND ANY OTHER NEEDED ACTIONS TO PROTECT THE LIFE, HEALTH, AND SAFETY OF THE PUBLIC, AND TO PROTECT PROPERTY IN CONNECTION WITH THE PERFORMANCE OF THE WORK COVERED BY THE CONTRACT.
- ROCKERIES AND/OR RETAINING WALLS TO BE CONSTRUCTED PER GEOTECHNICAL AND/OR STRUCTURAL ENGINEER'S PLANS & SPECIFICATIONS.



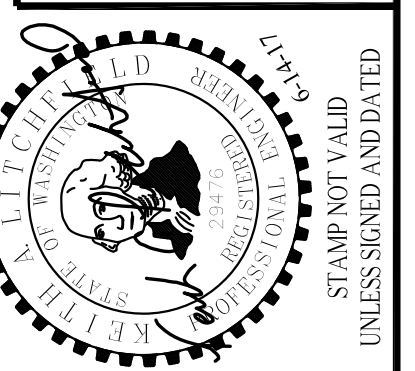
LEGEND

- FOUND PIPE
 - SET HUB
 - SET PK NAIL
 - FOUND NAIL
 - GAS METER
 - GAS VALVE
 - SOIL LOG/TEST PIT
 - SANITARY SEWER MANHOLE
 - CATCH BASIN
 - WATER METER
 - WETLAND FLAG
 - POWER METER
 - AREA LIGHT
 - POWER POLE
-
- SS SANITARY SEWER LINE
 - SD STORM DRAIN LINE
 - OP OVERHEAD POWER LINE
-
- CONCRETE PAVING
 - ASPHALT PAVING
 - BUILDINGS
 - GRAVEL SURFACE



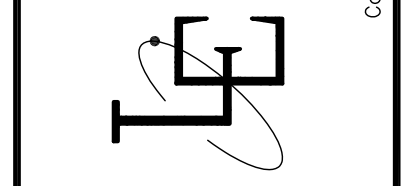
PROJECT CESCL
MICHAEL H. XUE, PE, CESCL
PANGEO, INC.
(206) 262-0374 (O)
(206) 491-0081 (C)

APPROVED: _____
CITY OF MERCER ISLAND DEVELOPMENT SERVICES GROUP Date



DATE	CHKD BY	DATE	NOTES
6-16-15	KAL	6-16-15	SUBMITTED TO CLIENT
7-6-15	KAL	7-6-15	REVISED PER CITY COMMENTS
10-19-15	KAL	10-19-15	REVISED PER CITY COMMENTS
3-25-16	KAL	3-25-16	ADD EXCAVATION PLAN: SHEET 5
5-25-16	KAL	5-25-16	ADD PROFILE: SHEET 6
6-14-17	KAL	6-14-17	UPDATED PER STREAM BUFFER

LITCHFIELD ENGINEERING
12840 81ST AVENUE NE
Kirkland, WA 98034
Tel: (425) 821-5038 Fax: (425) 821-5739

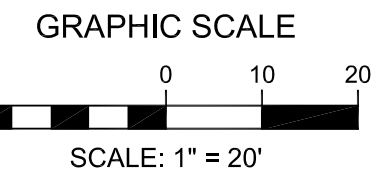


COVER SHEET
BARCELO HOMES S.F.R.
4634 EAST MERCER WAY
BOGDAN MAKSIMCHUK
P.O. BOX 1733
AUBURN, WA 98071

SHEET
1 of 6

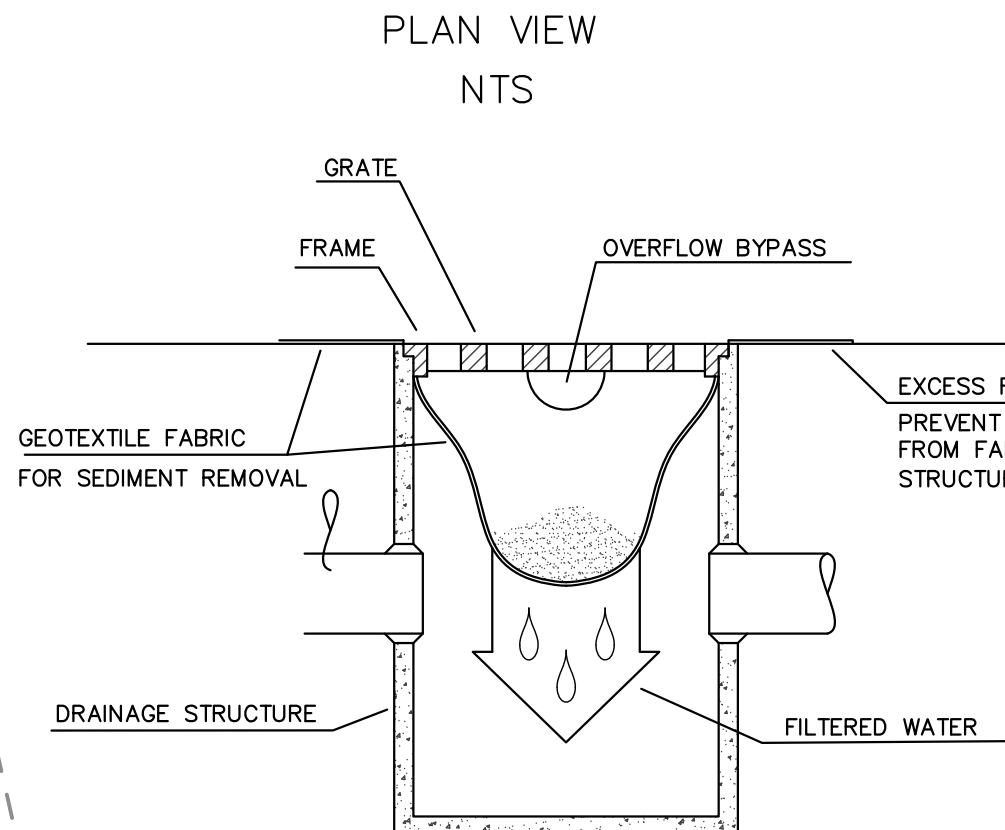
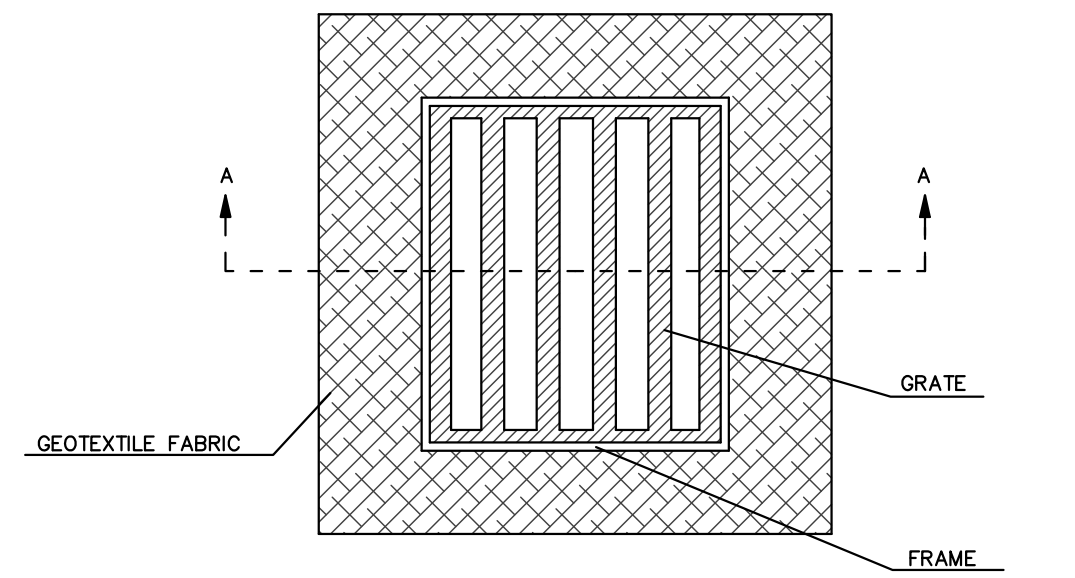
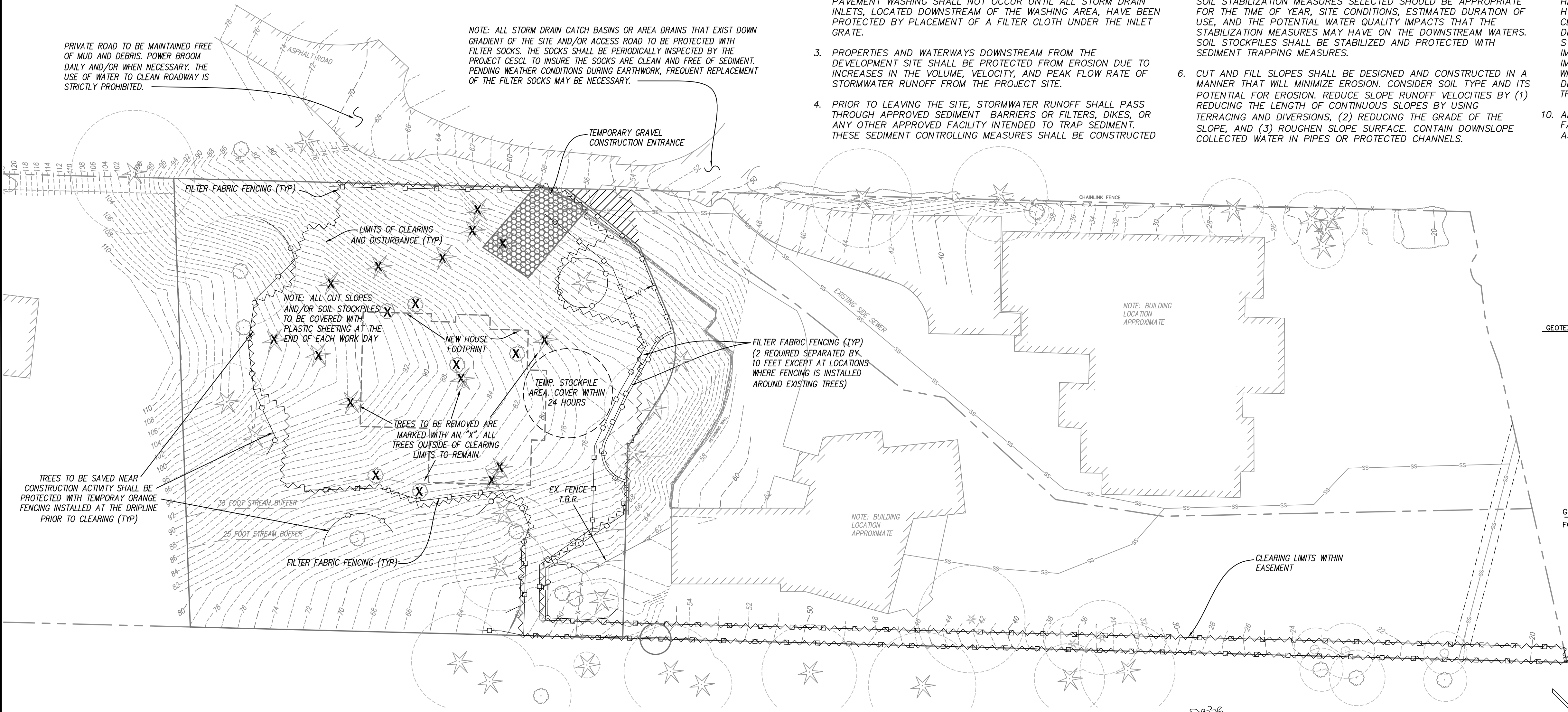
CONSTRUCTION SEQUENCE:

- ATTEND PRE-CONSTRUCTION MEETING
- FLAG CLEARING LIMITS
- INSTALL ORANGE TREE BARRIER FENCING
- INSPECTION BY CITY OF MERCER ISLAND INSPECTOR
- EROSION CONTROL DEVICES AND RESOURCES TO COVER ALL SOIL, IN CASE OF EROSION RISK, ARE TO BE ON THE SITE AT ALL TIMES
- INSTALL 2 ROWS OF SILT FENCING ALONG THE EDGE OF CLEARING LIMITS
- INSTALL FILTER SOCKS ON ALL DOWN GRADIENT STORM DRAIN INLETS.
- CONSTRUCT TEMPORARY GRAVEL CONSTRUCTION ENTRANCE
- CLEAR AND GRUB WITHIN CLEARING LIMITS
- PERFORM SITE GRADING
- KEEP PRIVATE ACCESS DRIVE FREE OF DIRT AND DEBRIS AT ALL TIMES.
- CONSTRUCT BUILDING FOUNDATIONS, FOOTING DRAINS, AND WALL BACK DRAINS
- CONSTRUCT DRAINAGE TIGHT LINE TO THE LAKE (PROPERTY OWNER OF LOT C TO BE PRESENT)
- BACKFILL FOUNDATIONS AND RETAINING WALLS WITH DRAIN ROCK OR OTHER POROUS MATERIAL APPROVED BY PROJECT GEOTECH.
- FINISH GRADE
- APPLY PERMANENT VEGETATION AND MULCH ALL DISTURBED AREAS
- CLEAN-UP THE SITE. TEMPORARY EROSION CONTROL DEVICES MAY BE REMOVED WITHIN 30 DAYS AFTER FINAL SITE STABILIZATION OR AFTER THEY ARE NO LONGER NECESSARY. PROJECT CESCL TO INSPECT SITE AND APPROVE REMOVAL OF TEMPORARY EROSION CONTROL MEASURES.

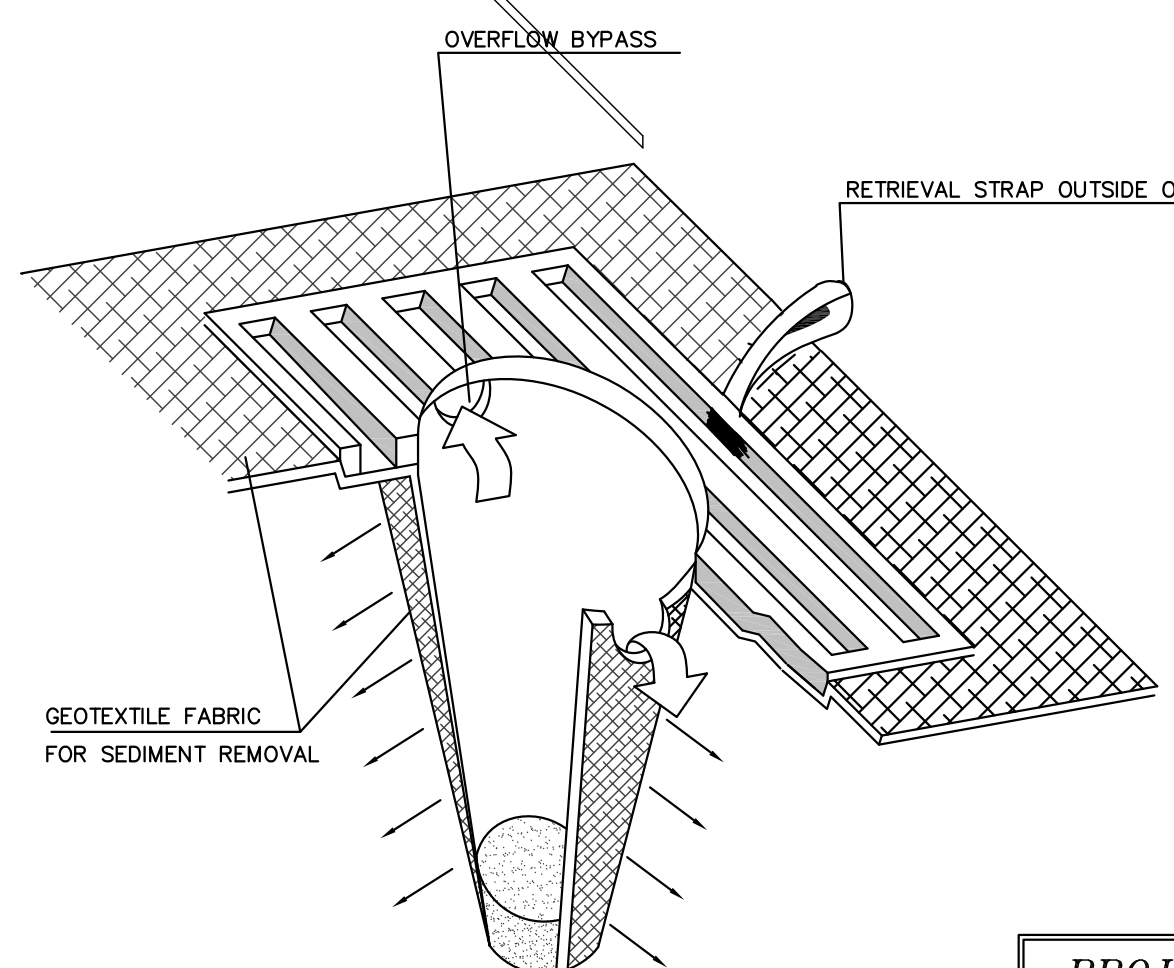


EROSION/SEDIMENT CONTROL NOTES

- PRIOR TO BEGINNING EARTH DISTURBING ACTIVITIES, INCLUDING CLEARING AND GRADING, ALL CLEARING LIMITS, EASEMENTS, SETBACKS, TREES AND DRAINAGE COURSES SHALL BE CLEARLY DEFINED AND MARKED IN THE FIELD TO PREVENT DAMAGE AND OFFSITE IMPACTS.
- CONSTRUCTION VEHICLE ACCESS AND EXIT SHALL BE LIMITED TO ONE ROUTE IF POSSIBLE. ACCESS POINTS SHALL BE STABILIZED WITH QUARRY SPALLS OR CRUSHED ROCK TO MINIMIZE THE TRACKING OF SEDIMENTS ONTO PUBLIC STREETS. WHEEL WASH OR TIRE BATHS SHALL BE LOCATED ON-SITE. IF SEDIMENT IS TRANSPORTED ONTO A ROAD SURFACE, THE PAVEMENT SHALL BE CLEANED THOROUGHLY AT THE END OF EACH DAY. SEDIMENT SHALL BE REMOVED FROM THE PAVEMENT BY SHOVELING OR SWEEPING AND BE TRANSPORTED TO A CONTROLLED SEDIMENT DISPOSAL AREA. STREET WASHING WILL ONLY BE ALLOWED AFTER SEDIMENT IS REMOVED IN THIS MANNER. PAVEMENT WASHING SHALL NOT OCCUR UNTIL ALL STORM DRAIN INLETS, LOCATED DOWNSTREAM OF THE WASHING AREA, HAVE BEEN PROTECTED BY PLACEMENT OF A FILTER CLOTH UNDER THE INLET GRATE.
- PROPERTIES AND WATERWAYS DOWNSTREAM FROM THE DEVELOPMENT SITE SHALL BE PROTECTED FROM EROSION DUE TO INCREASES IN THE VOLUME, VELOCITY, AND PEAK FLOW RATE OF STORMWATER RUNOFF FROM THE PROJECT SITE.
- PRIOR TO LEAVING THE SITE, STORMWATER RUNOFF SHALL PASS THROUGH APPROVED SEDIMENT BARRIERS OR FILTERS, DIKES, OR ANY OTHER APPROVED FACILITY INTENDED TO TRAP SEDIMENT. THESE SEDIMENT CONTROLLING MEASURES SHALL BE CONSTRUCTED AS THE FIRST STEP IN GRADING. THESE FACILITIES SHALL BE FUNCTIONAL BEFORE ANY OTHER LAND DISTURBING ACTIVITY TAKES PLACE. EARTHEN STRUCTURES SUCH AS DAMS, DIKES, AND DIVERSIONS SHALL BE SEEDED AND MULCHED ACCORDING TO THE TIMING INDICATED UNDER ITEM 5.
- ALL EXPOSED AND UNWORKED SOILS SHALL BE STABILIZED BY THE PLACEMENT OF SOD OR OTHER VEGETATION, PLASTIC COVERING, MULCHING, APPLICATION OF BASE ROCK WITHIN AREAS TO BE PAVED, OR SOME OTHER APPROVED MEANS, TO PROTECT THE SOIL FROM THE EROSIIVE FORCES OF RAINDROP IMPACT AND FLOWING WATER. FROM OCTOBER 1 THROUGH APRIL 30, NO SOILS SHALL REMAIN EXPOSED AND UNWORKED FOR MORE THAN 2 DAYS. FROM MAY 1 THROUGH SEPTEMBER 30, NO SOIL SHALL REMAIN EXPOSED AND UNWORKED FOR MORE THAN 7 DAYS. THIS CONDITION APPLIES TO ALL SOILS ON SITE, WHETHER AT FINAL GRADE OR NOT. THE SOIL STABILIZATION MEASURES SELECTED SHOULD BE APPROPRIATE FOR THE TIME OF YEAR, SITE CONDITIONS, ESTIMATED DURATION OF USE, AND THE POTENTIAL WATER QUALITY IMPACTS THAT THE STABILIZATION MEASURES MAY HAVE ON THE DOWNSTREAM WATERS. SOIL STOCKPILES SHALL BE STABILIZED AND PROTECTED WITH SEDIMENT TRAPPING MEASURES.
- CUT AND FILL SLOPES SHALL BE DESIGNED AND CONSTRUCTED IN A MANNER THAT WILL MINIMIZE EROSION. CONSIDER SOIL TYPE AND ITS POTENTIAL FOR EROSION. REDUCE SLOPE RUNOFF VELOCITIES BY (1) REDUCING THE LENGTH OF CONTINUOUS SLOPES BY USING TERRACING AND DIVERSIONS, (2) REDUCING THE GRADE OF THE SLOPE, AND (3) ROUGHEN SLOPE SURFACE. CONTAIN DOWNSLOPE COLLECTED WATER IN PIPES OR PROTECTED CHANNELS.
- ALL STORM DRAIN INLETS MADE OPERABLE DURING CONSTRUCTION SHALL BE PROTECTED SO THAT STORMWATER RUNOFF SHALL NOT ENTER THE CONVEYANCE SYSTEM WITHOUT FIRST BEING FILTERED OR TREATED TO REMOVE SEDIMENTS.
- ALL TEMPORARY ON-SITE CONVEYANCE CHANNELS SHALL BE DESIGNED, CONSTRUCTED AND STABILIZED TO PREVENT EROSION. STABILIZATION, INCLUDING ARMORING MATERIAL, ADEQUATE TO PREVENT EROSION AT ALL DISCHARGE POINTS, ADJACENT STREAM BANKS, SLOPES AND DOWNSTREAM REACHES, SHALL BE PROVIDED.
- ALL POLLUTANTS, INCLUDING WASTE MATERIALS AND DEMOLITION DEBRIS, THAT OCCUR ON-SITE DURING CONSTRUCTION SHALL BE HANDLED AND DISPOSED OF IN A MANNER THAT DOES NOT CAUSE CONTAMINATION OF STORMWATER. MAINTENANCE AND REPAIR OF HEAVY EQUIPMENT AND VEHICLES INVOLVING OIL CHANGES, HYDRAULIC SYSTEM DRAIN DOWN, SOLVENT AND DE-GREASING CLEANING OPERATIONS AND OTHER ACTIVITIES WHICH MAY RESULT IN DISCHARGE OR SPILLAGE OF POLLUTANTS TO THE GROUND OR INTO STORMWATER RUNOFF, MUST BE CONDUCTED UNDER COVER AND ON IMPERVIOUS SURFACES. THESE SURFACES SHALL BE CLEANED IMMEDIATELY FOLLOWING ANY DISCHARGE OR SPILLAGE INCIDENT. WHEEL WASH OR TIRE BATH WASTEWATER, SHALL NOT BE DISCHARGED TO THE STORM DRAIN, OR ON-SITE STORMWATER TREATMENT SYSTEM.
- ALL TEMPORARY AND PERMANENT EROSION AND SEDIMENT CONTROL FACILITIES SHALL BE MAINTAINED AND REPAIRED AS NEEDED TO ASSURE CONTINUED PERFORMANCE OF THEIR INTENDED FUNCTION.



STORM DRAIN PROTECTION INSERT SECTION A-A NTS

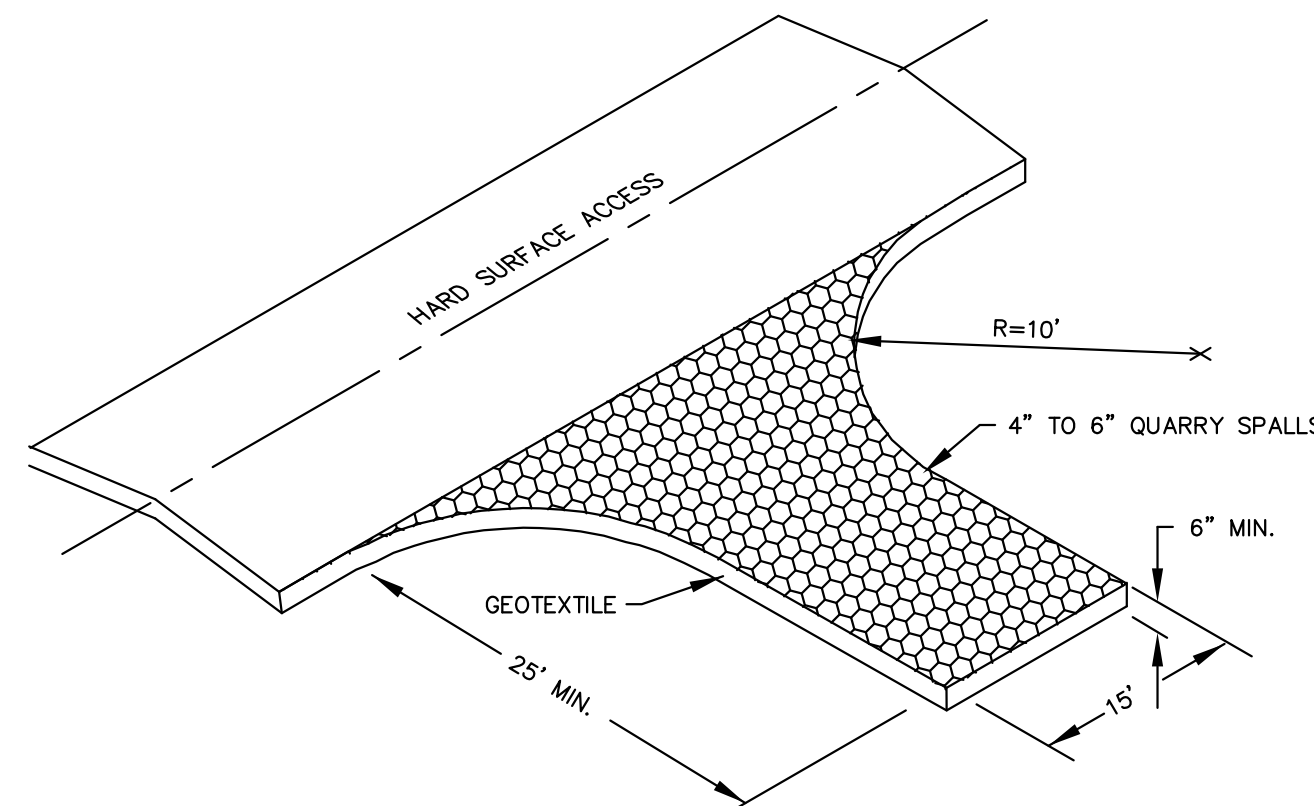


STORM DRAIN PROTECTION INSERT ISOMETRIC VIEW (TYP.) NTS

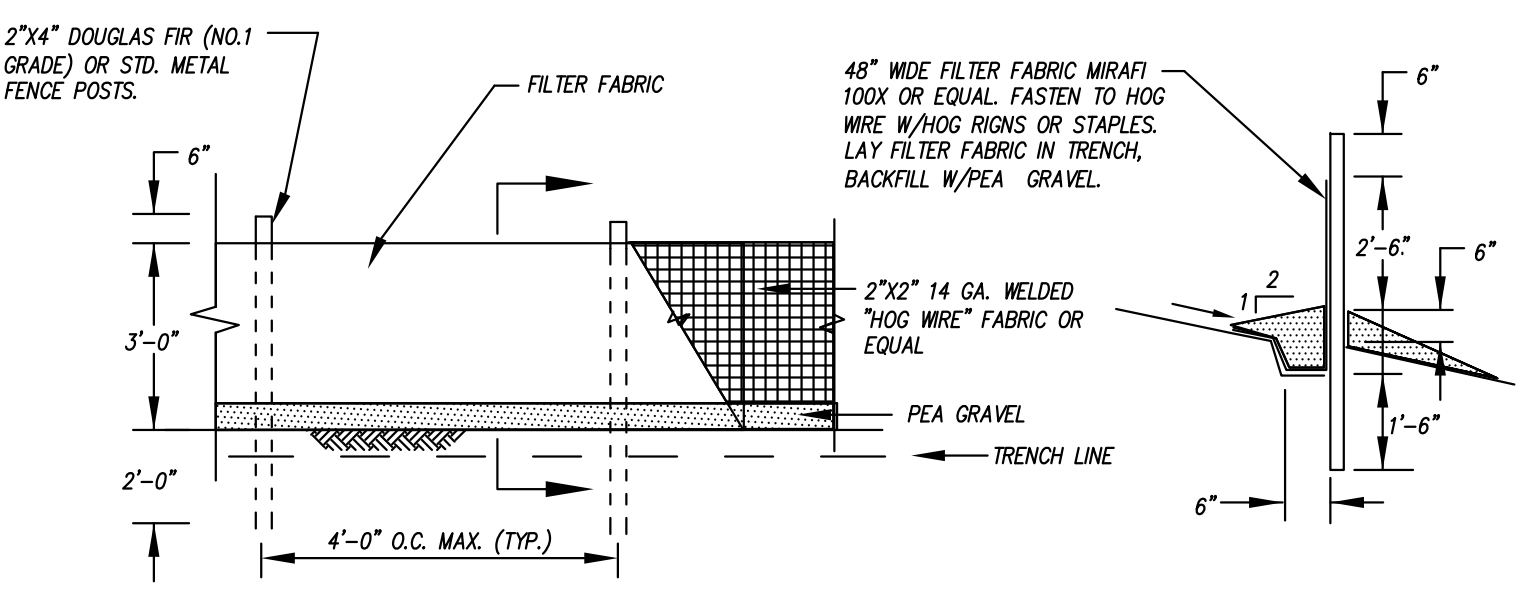
PROJECT CESCL
MICHAEL H. XUE, PE, CESCL
PANGEO, INC.
(206) 262-0374 (O)
(206) 491-0081 (C)

APPROVED: CITY OF MERCER ISLAND DEVELOPMENT SERVICES GROUP Date

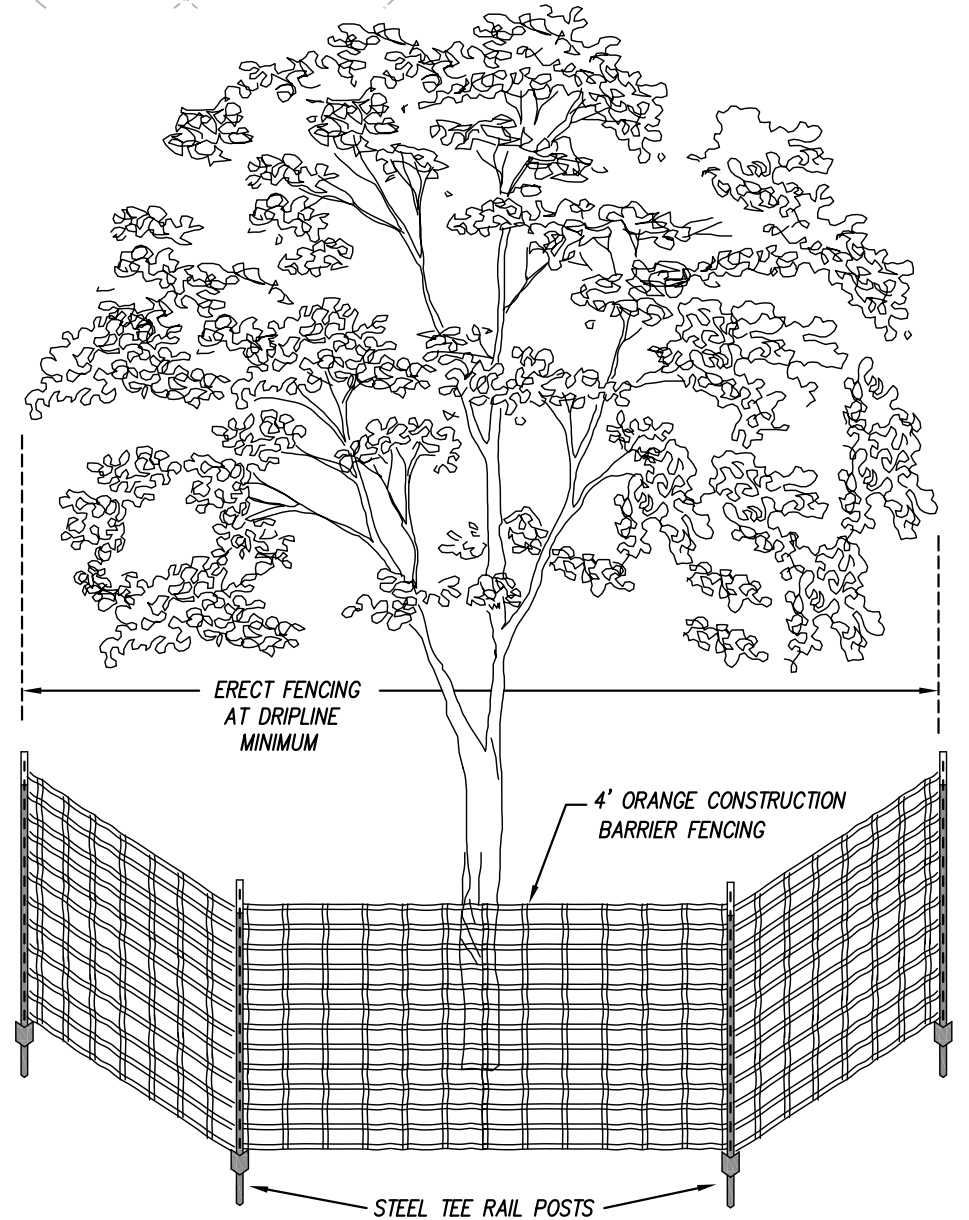
CALL 3 WORKING DAYS BEFORE YOU DIG
811
UTILITIES UNDERGROUND LOCATION CENTER
(ID.MT.NO.03.03A)



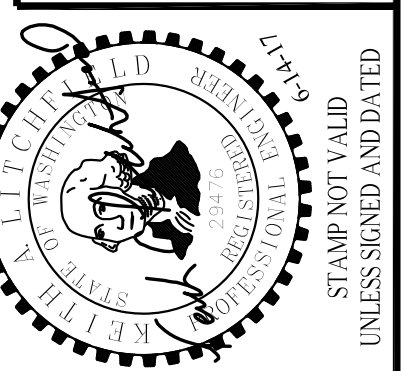
TEMPORARY GRAVEL CONSTRUCTION ENTRANCE N.T.S.



FILTER FABRIC FENCING N.T.S.

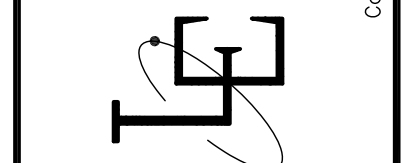


TREE PROTECTION DETAIL N.T.S.



CHG BY	DATE	NOTES
KAL	6-16-15	SUBMITTED TO CLIENT
KAL	10-1-15	REVISED PER CITY COMMENTS
KAL	10-19-15	REVISED PER CITY COMMENTS
KAL	3-25-16	ADD EXCAVATION PLAN: SHEET 5
KAL	5-25-16	PER CITY COMMENTS
KAL	6-14-17	UPDATED PER STREAM BUFFER

LITCHFIELD ENGINEERING
12840 81ST AVENUE NE
Kirkland, WA 98034
Tel: 425.821.3038 Fax: 425.821.5739



T.E.S.C. PLAN
BARCELLO HOMES S.F.R.
4634 EAST MERCER WAY
BOGDAN MAKSMICHUK
AUBURN, WA 98071

SITE IMPROVEMENT NOTES

1. PROOF OF LIABILITY INSURANCE SHALL BE SUBMITTED TO THE CITY PRIOR TO THE PRE-CONSTRUCTION MEETING.
2. THESE PLANS ARE APPROVED FOR GRADING, DRAINAGE, AND UTILITY IMPROVEMENTS ONLY. PLANS FOR STRUCTURES REQUIRE A SEPARATE REVIEW AND APPROVAL.
3. RETAINING WALLS GREATER THAN FOUR (4) FEET IN HEIGHT REQUIRE A SEPARATE BUILDING PERMIT.
4. FILL MATERIAL PLACED UNDER BUILDING FOUNDATIONS OR PAVEMENT SHALL BE CRUSHED BASE ROCK OR COMPACTED STRUCTURAL FILL IN ACCORDANCE WITH CITY AND WSDOT STANDARD SPECIFICATIONS.
5. ALL DRAINAGE STRUCTURES, SUCH AS CATCH BASINS AND MANHOLES, NOT LOCATED WITHIN A TRAVELED ROADWAY OR SIDEWALK, SHALL HAVE SOLID LOCKING LIDS.
6. THIS PLAN DOES NOT SHOW THE LOCATION OF ALL EXISTING UTILITIES, IT IS THE RESPONSIBILITY OF THE CONTRACTOR TO LOCATE ALL EXISTING UTILITIES PRIOR TO EXCAVATION.
7. THE CONTRACTOR SHALL EXPOSE ALL EXISTING PIPING THAT WILL BE CONNECTED TO WITH NEW PIPING. DEPTH, LOCATION, AND CONDITION SHALL BE RELAYED TO THE ENGINEER IF CONDITIONS VARY SIGNIFICANTLY FROM WHAT IS DETAILED OR ANTICIPATED.
8. ALL WORK SHALL BE PERFORMED IN STRICT ACCORDANCE TO DETAILS AND SPECIFICATIONS OF CITY STANDARDS. ALL CONSTRUCTION DEBRIS GENERATED DURING CONSTRUCTION TO BE REMOVED & DISPOSED OF AT AN APPROVED LOCATION OFF SITE.
9. ALL CUT MATERIAL GENERATED DURING THE PROJECT THAT IS NOT ACCEPTABLE FOR USE AS COMPACTED FILL MATERIAL AT ANOTHER LOCATION ON-SITE MUST BE HAULED TO AN APPROVED LOCATION OFF-SITE.

DRAINAGE GENERAL NOTES

1. A PRE-CONSTRUCTION CONFERENCE SHALL BE HELD PRIOR TO THE START OF CONSTRUCTION. THE CONTRACTOR SHALL BE RESPONSIBLE FOR SECURING ALL NECESSARY PERMITS PRIOR TO CONSTRUCTION.
2. BEFORE ANY CONSTRUCTION MAY OCCUR, THE CONTRACTOR SHALL HAVE PLANS WHICH HAVE BEEN SIGNED AND APPROVED BY THE CITY OF MERCER ISLAND PUBLIC WORKS DEPARTMENT, OBTAINED ALL CITY, COUNTY, STATE, FEDERAL AND OTHER REQUIRED PERMITS, AND HAVE POSTED ALL REQUIRED BONDS.
3. ALL STORM DRAINAGE IMPROVEMENTS SHALL BE DESIGNED AND CONSTRUCTED IN ACCORDANCE WITH THE LATEST EDITION OF THE CITY OF MERCER ISLAND PUBLIC WORKS PRE-APPROVED PLANS AND POLICIES AND THE STANDARD SPECIFICATIONS FOR ROAD, BRIDGE AND MUNICIPAL CONSTRUCTION, PREPARED BY WSDOT AND THE AMERICAN PUBLIC WORKS ASSOCIATION (APWA).
4. ANY DEVIATION FROM THE APPROVED PLANS WILL REQUIRE WRITTEN APPROVAL. ALL CHANGES SHALL BE SUBMITTED TO THE CITY.
5. A COPY OF THE APPROVED STORM WATER PLANS MUST BE ON THE JOB SITE WHENEVER CONSTRUCTION IS IN PROGRESS.
6. ALL DISTURBED AREAS SHALL BE SEEDED AND MULCHED OR SIMILARLY STABILIZED TO THE SATISFACTION OF THE CITY OF MERCER ISLAND DEPARTMENT OF PUBLIC WORKS FOR THE PREVENTION OF ON-SITE EROSION AFTER THE COMPLETION OF CONSTRUCTION.
7. MINIMUM COVER OVER STORM DRAINAGE PIPES IN ROW OR VEHICULAR PATH SHALL BE 18 INCHES, UNLESS OTHER DESIGN IS APPROVED.
8. CONSTRUCTION OF DEWATERING (GROUNDWATER) SYSTEMS SHALL BE IN ACCORDANCE WITH THE APWA STANDARD SPECIFICATIONS.
9. ALL TRENCH BACKFILL SHALL BE COMPACTED TO 95 PERCENT DENSITY IN ROADWAYS, ROADWAY SHOULDERS, ROADWAY PRISM AND DRIVEWAYS, AND 85 PERCENT DENSITY IN UNPAVED AREAS. ALL PIPE ZONE COMPACTION SHALL BE 95 PERCENT.

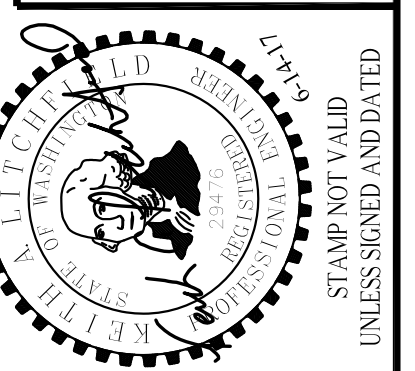
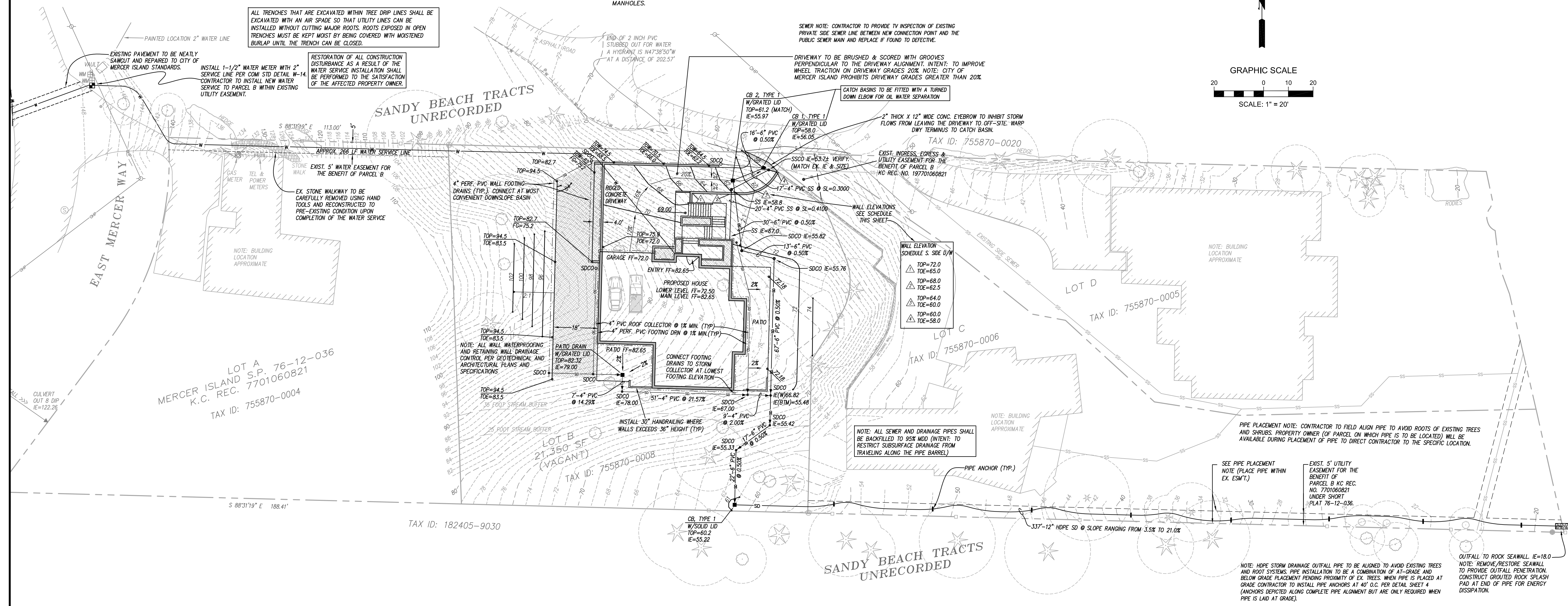
10. THE CONTRACTOR SHALL BE RESPONSIBLE FOR PROVIDING ADEQUATE SAFEGUARDS, SAFETY DEVICES, PROTECTIVE EQUIPMENT, CONFINED SPACE PROTECTION, FLAGGERS, AND ANY OTHER NEEDED ACTIONS TO PROTECT THE LIFE, HEALTH, AND SAFETY OF THE PUBLIC, AND TO PROTECT PROPERTY IN CONNECTION WITH THE PERFORMANCE OF WORK COVERED BY THE CONTRACT.
11. APPROXIMATE LOCATIONS OF EXISTING UTILITIES HAVE BEEN OBTAINED FROM AVAILABLE RECORDS AND ARE SHOWN FOR CONVENIENCE. THE CONTRACTOR SHALL BE RESPONSIBLE FOR VERIFICATION OF EXISTING UTILITY LOCATIONS WHETHER OR NOT THESE UTILITIES ARE SHOWN ON THE PLANS. THE CONTRACTOR SHALL EXERCISE ALL CARE TO AVOID DAMAGE TO ANY UTILITY. IF CONFLICTS WITH EXISTING UTILITIES ARISE DURING CONSTRUCTION, THE CONTRACTOR SHALL NOTIFY THE CITY CONSTRUCTION INSPECTOR AND ANY CHANGES REQUIRED SHALL BE APPROVED BY THE DEVELOPMENT ENGINEER PRIOR TO COMMENCEMENT OF RELATED CONSTRUCTION ON THE PROJECT.
12. THE UNDERGROUND UTILITY LOCATION SERVICE SHALL BE CONTACTED FOR FIELD LOCATION OF EXISTING UTILITIES PRIOR TO ANY CONSTRUCTION. THE OWNER OR HIS REPRESENTATIVE SHALL BE CONTACTED IF A UTILITY CONFLICT EXISTS. FOR UTILITY LOCATION IN KING COUNTY, CALL 811. THE CONTRACTOR IS RESPONSIBLE TO ENSURE THAT UTILITY LOCATES ARE MAINTAINED THROUGHOUT THE LIFE OF THE PROJECT.
13. OPEN CUT ROAD CROSSINGS FOR UTILITY TRENCHES ON EXISTING TRAVELED ROADWAY SHALL BE BACKFILLED ONLY WITH 5/8" MINUS CRUSHED ROCK AND MECHANICALLY COMPACTED (UNLESS OTHERWISE APPROVED BY THE CITY). CUTS INTO THE EXISTING ASPHALT SHALL BE NEAT LINE CUT WITH SAW OR JACKHAMMER IN A CONTINUOUS LINE. A TEMPORARY COLD MIX PATCH MUST BE PLACED IMMEDIATELY AFTER BACKFILL AND COMPACTION. A PERMANENT HOT MIX PATCH SHALL BE PLACED WITHIN 30 DAYS AND SHALL BE A MINIMUM OF 1" THICKER THAN THE ORIGINAL ASPHALT WITH A MINIMUM THICKNESS OF 2".
14. ALL DAMAGES INCURRED TO PUBLIC AND/OR PRIVATE PROPERTY BY THE CONTRACTOR DURING THE COURSE OF CONSTRUCTION SHALL BE PROMPTLY REPAIRED TO THE SATISFACTION OF THE CITY CONSTRUCTION INSPECTOR BEFORE PROJECT APPROVAL AND/OR THE RELEASE OF THE PROJECT'S PERFORMANCE BOND.
15. GROUT ALL SEAMS AND OPENINGS IN ALL INLETS, CATCH BASINS, AND MANHOLES.

ARCHITECTURAL, STRUCTURAL & GEOTECHNICAL NOTES

1. THESE PLANS ARE APPROVED FOR STANDARD ROAD AND DRAINAGE IMPROVEMENTS ONLY. PLANS FOR STRUCTURES SUCH AS RETAINING WALLS REQUIRE A SEPARATE REVIEW AND APPROVAL PRIOR TO CONSTRUCTION.
2. SPECIAL INSPECTIONS FOR GEOTECHNICAL AND/OR STRUCTURAL ASPECTS OF THE PROJECT MAY BE REQUIRED DURING VARIOUS STAGES OF THE PROJECT. CONTRACTOR TO BE RESPONSIBLE FOR COORDINATION AND OBTAINING INSPECTIONS WHEN AND WHERE NECESSARY.
3. SEE ARCHITECTURAL PLANS FOR BUILDING SECTIONS AND ALL LOCAL/DIMENSIONAL ASPECTS OF BUILDINGS.
4. SEE ARCHITECTURAL AND STRUCTURAL PLANS FOR ALL BUILDING AND RETAINING WALL DETAILS.
5. COORDINATE ALL SITE CIVIL CONSTRUCTION WITH ARCHITECTURAL, STRUCTURAL, MECHANICAL/PLUMBING AND LANDSCAPE PLANS AND IN ACCORDANCE WITH GEOTECHNICAL RECOMMENDATIONS.
6. PRIOR TO CONSTRUCTION THE EARTHWORK/GENERAL CONTRACTOR TO BE COMPLETELY FAMILIAR WITH THE GEOTECHNICAL REPORT AND RECOMMENDATIONS. PLEASE REVIEW PANGE, INC.'S REPORT DATED MARCH 31, 2014 AND CONTACT MICHAEL XUE, PE ON ANY QUESTIONS OR CONCERNS REGARDING HIS RECOMMENDATIONS.

GRADING NOTES:

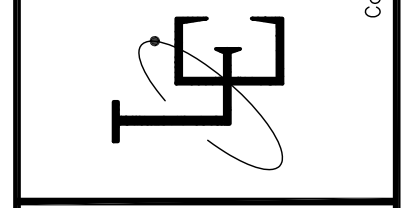
1. ALL CUT MATERIAL GENERATED DURING THE PROJECT THAT IS NOT ACCEPTABLE FOR USE AS COMPACTED FILL MATERIAL AT ANOTHER LOCATION ON-SITE MUST BE HAULED TO AN APPROVED LOCATION OFF-SITE.
2. THE ON-SITE TOPOGRAPHICAL MAPPING WAS PROVIDED BY EMERALD LAND SURVEYING, INC.
3. ALL TEMPORARY OR PERMANENT SLOPES SHALL NOT EXCEED 2H:1V UNLESS APPROVED BY A GEOTECHNICAL ENGINEER.
4. FILL MATERIAL PLACED UNDER BUILDING FOUNDATIONS OR PAVEMENT SHALL BE CRUSHED BASE ROCK OR COMPACTED STRUCTURAL FILL IN ACCORDANCE TO WSDOT STANDARD SPECIFICATIONS.
5. ROCKERY AND/OR RETAINING WALLS GREATER THAN FOUR (4) FEET IN HEIGHT REQUIRES A BUILDING PERMIT.
6. IT WILL BE THE PERMITEE'S RESPONSIBILITY TO SUCCESSFULLY CAP AND ABANDON ALL EXISTING UTILITIES WITHIN THE DEVELOPMENT IN ACCORDANCE TO THE GOVERNING UTILITY AGENCY.



DATE	NOTES
6-16-15	SUBMITTED TO CLIENT
7-6-15	REVISED PER CITY COMMENTS
10-19-15	REVISED PER CITY COMMENTS
3-25-16	ADD EXCAVATION PLAN: SHEET 5
5-25-16	PER CITY COMMENTS
6-14-17	UPDATED PER STREAM BUFFER

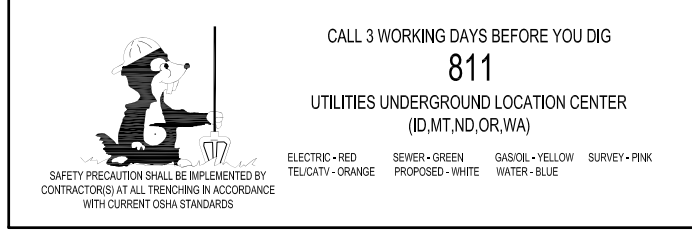
CHKD BY	DATE
KAL	6-16-15
KAL	7-6-15
KAL	10-19-15
KAL	3-25-16
KAL	5-25-16
KAL	6-14-17

LITCHFIELD ENGINEERING
 12840 81ST AVENUE NE
 Kirkland, WA 98034
 TEL: 425.821.3038 FAX: 425.821.3739

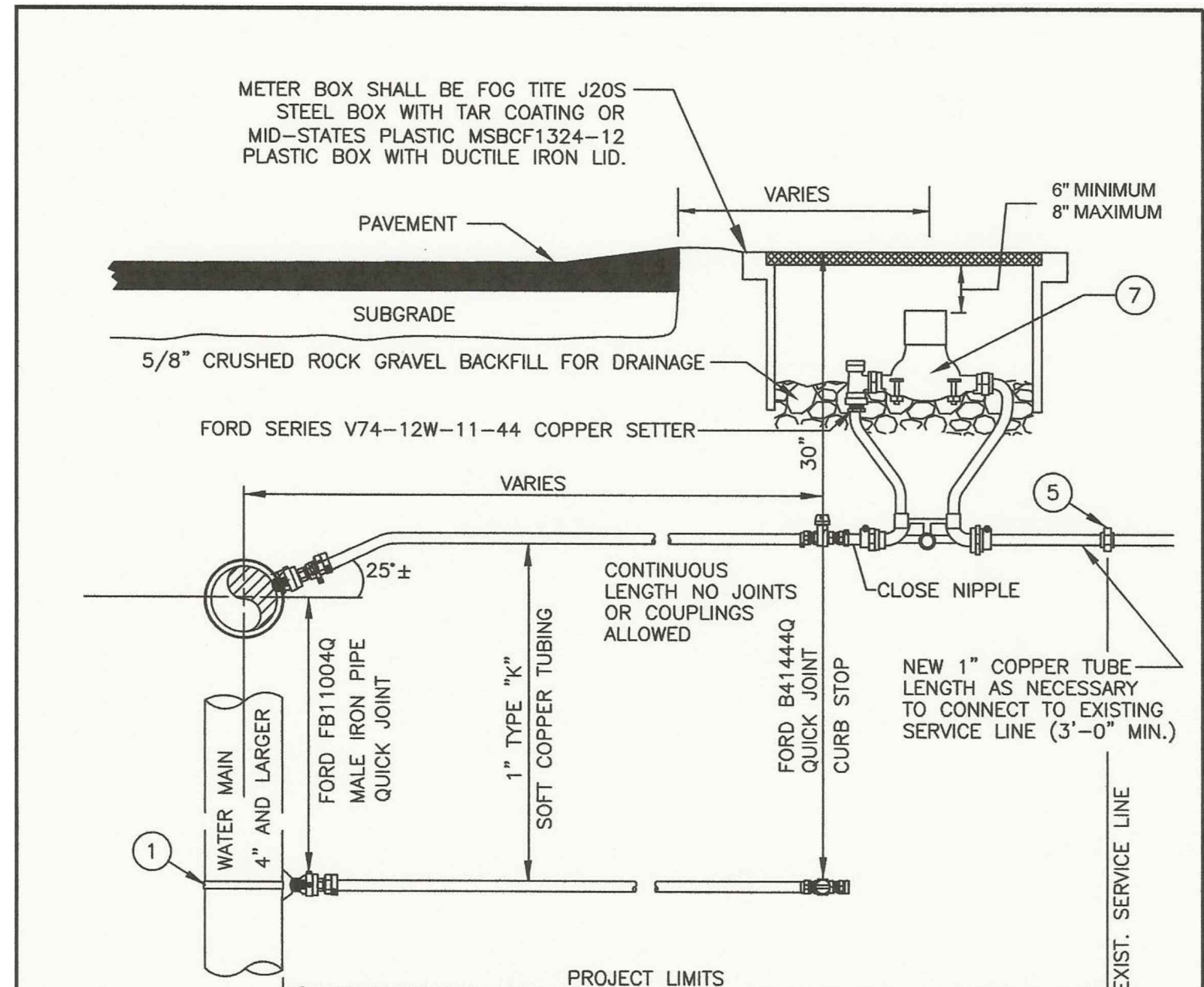


SITE IMPROVEMENT PLAN
BARCELLO HOMES S.F.R.
4634 EAST MERCER WAY
 BOGDAN MAKSYMCHUK
 P.O. BOX 1733
 AUBURN, WA 98071

PROJECT CESCL
 MICHAEL H. XUE, PE, CESCL
 PANGE, INC.
 (206) 262-0374 (O)
 (206) 491-0081 (C)



APPROVED: **CITY OF MERCER ISLAND DEVELOPMENT SERVICES GROUP** Date _____

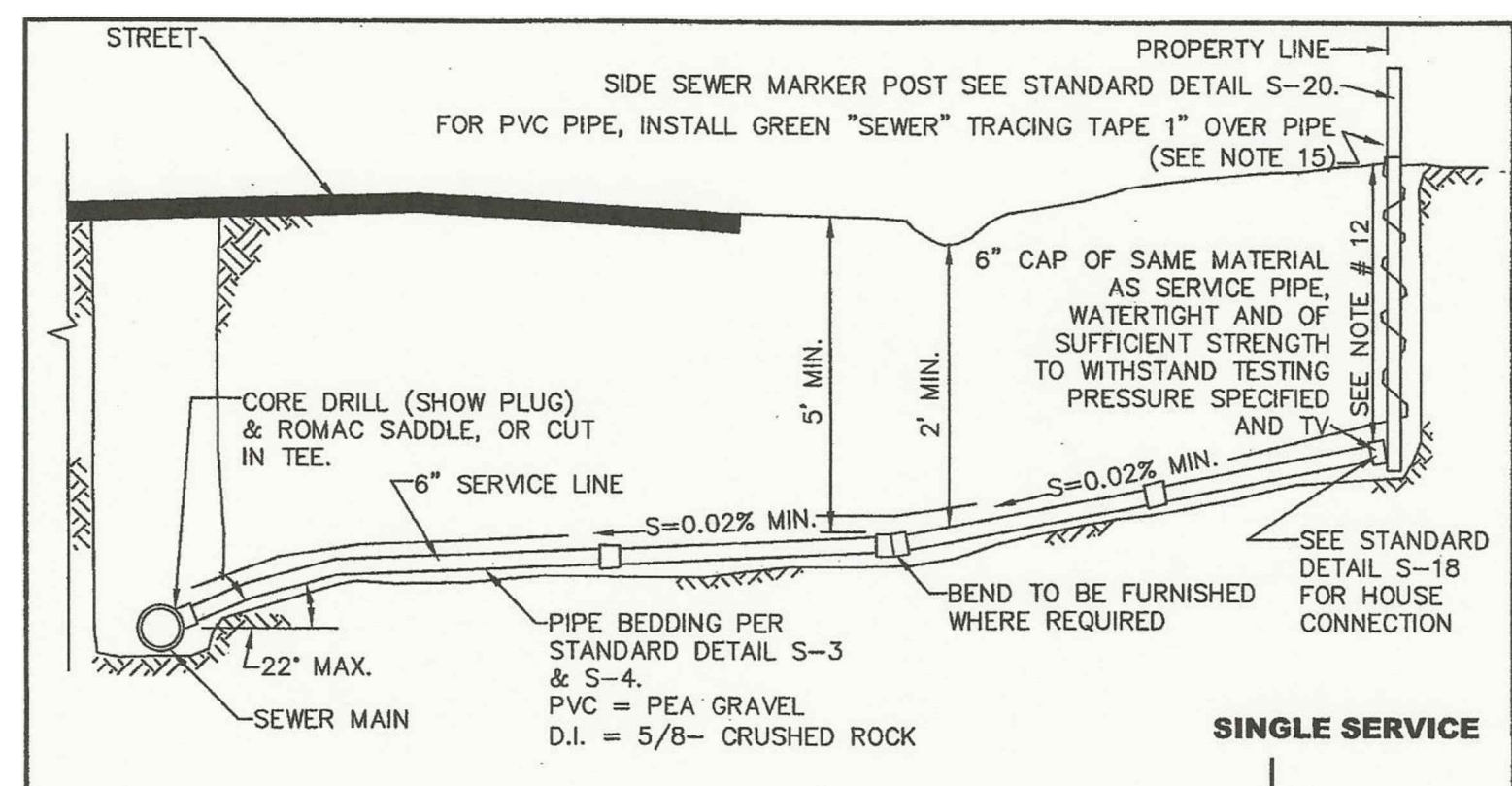


NOTES

- ON EXISTING WATER MAINS USE NYLON COATED D.I. SADDLE WITH STAINLESS STEEL SINGLE STRAP, ROMAC 101NS, OR APPROVED EQUAL. ON NEW DUCTILE IRON WATER MAIN 6" DIA. OR LARGER, THE SERVICE MAY BE DIRECTLY TAPPED.
- MINIMUM DISTANCE BETWEEN CORP STOPS SHALL BE 18". MINIMUM DISTANCE BETWEEN TAPS, BETWEEN CORP STOP AND PIPE ENDS SHALL BE 24", ALL HORIZONALLY STAGGERED.
- PLASTIC METER BOXES SHALL NOT BE INSTALLED WITHIN ROADWAY, SIDEWALK, OR DRIVEWAYS.
- WHEN METER BOXES ARE INSTALLED IN PORTLAND CEMENT CONCRETE PAVEMENT OR SIDEWALK, CONTINUOUS FELT EXPANSION MATERIAL SURROUNDING THE PERIMETER OF THE METER BOX SHALL BE PROVIDED.
- WHEN CONNECTING TO EXISTING SERVICE LINE CONTAINING FERROUS METAL, PROVIDE INSULATING COUPLING (DB SERIES WITH C21 SERIES ADAPTERS) AND PROVIDE REDUCER AS NECESSARY TO MATCH EXISTING SERVICE LINE DIAMETER.
- SERVICE LINE SHALL BE PERPENDICULAR TO THE WATER MAIN AND STRAIGHT TO WATER METER, UNLESS OTHERWISE APPROVED BY CITY ENGINEER. PROVIDE WINDING SLACK IN THE SERVICE LINE BETWEEN THE MAIN AND WATER METER.
- WATER METER SUPPLIED BY CITY.
- ALL FITTINGS TO BE BRASS COMPRESSION TYPE, FORD QUICK JOINT OR EQUAL.
- NO SERVICE CONNECTIONS BETWEEN BLOW-OFF AND END OF MAIN.

REV	DATE	BY	CHKD BY	DATE	NOTES

CITY OF MERCER ISLAND STANDARD DETAILS WATER		
1" WATER METER INSTALLATION		
10-16-2013	NO SCALE	W-13
REV DATE		APPROVED

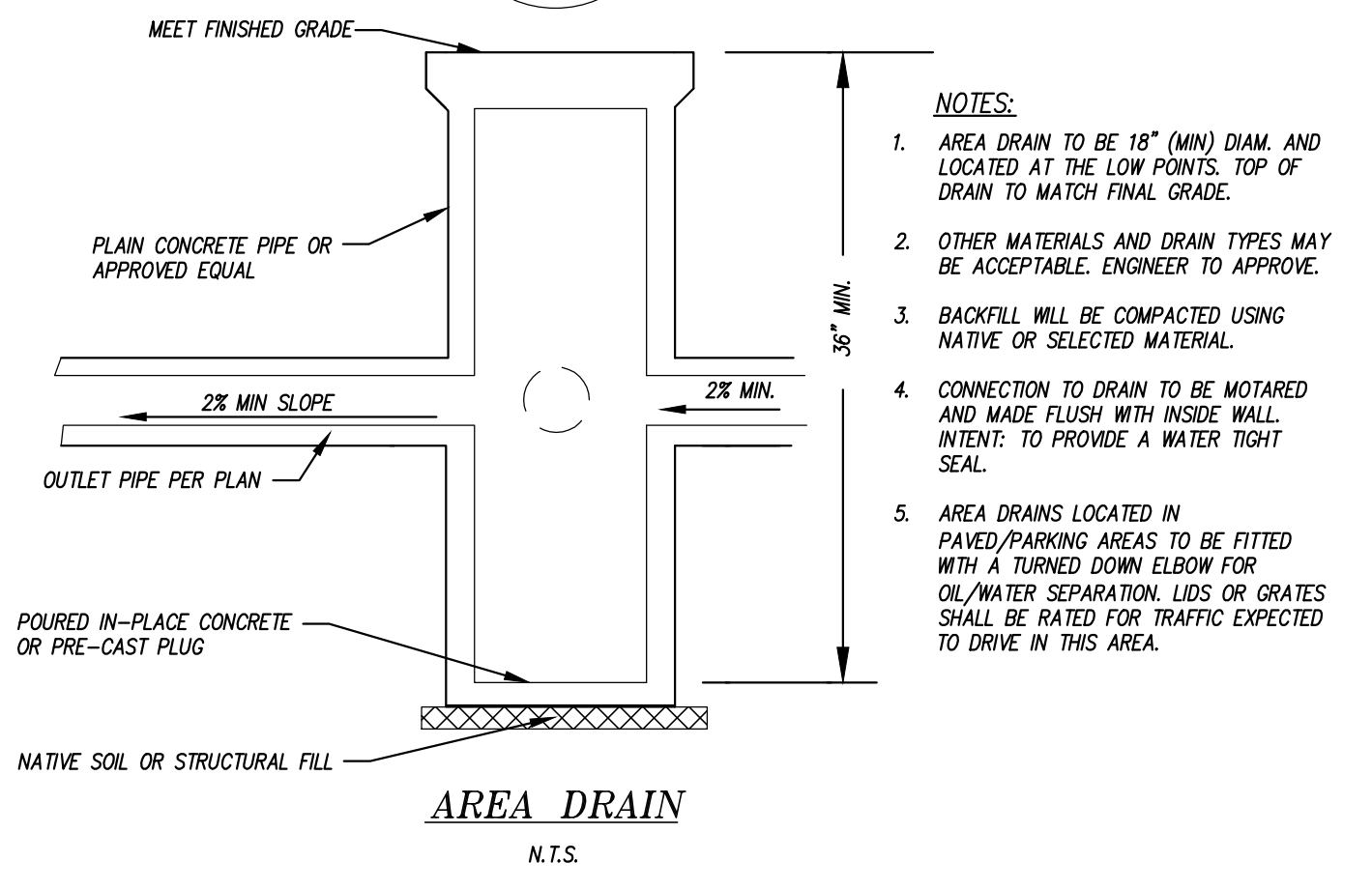
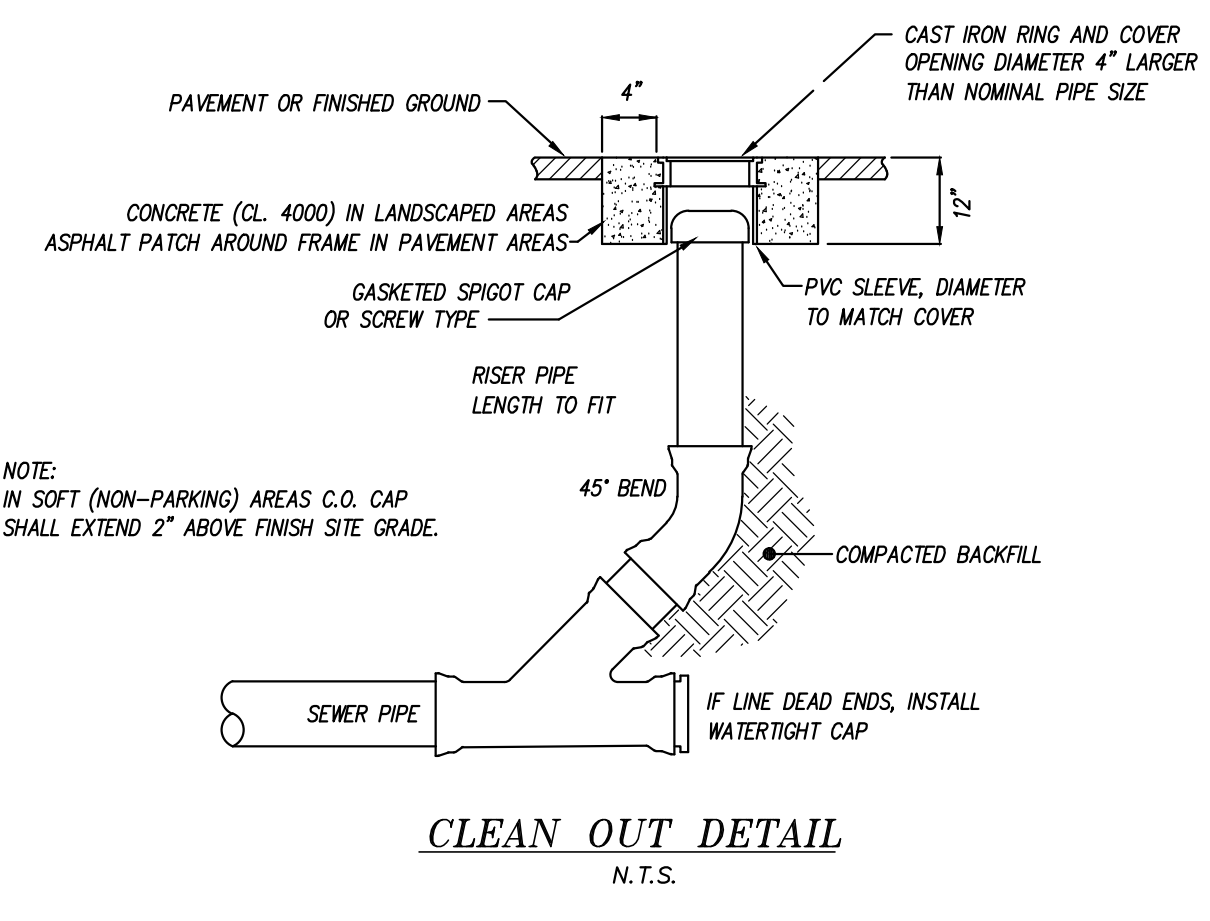
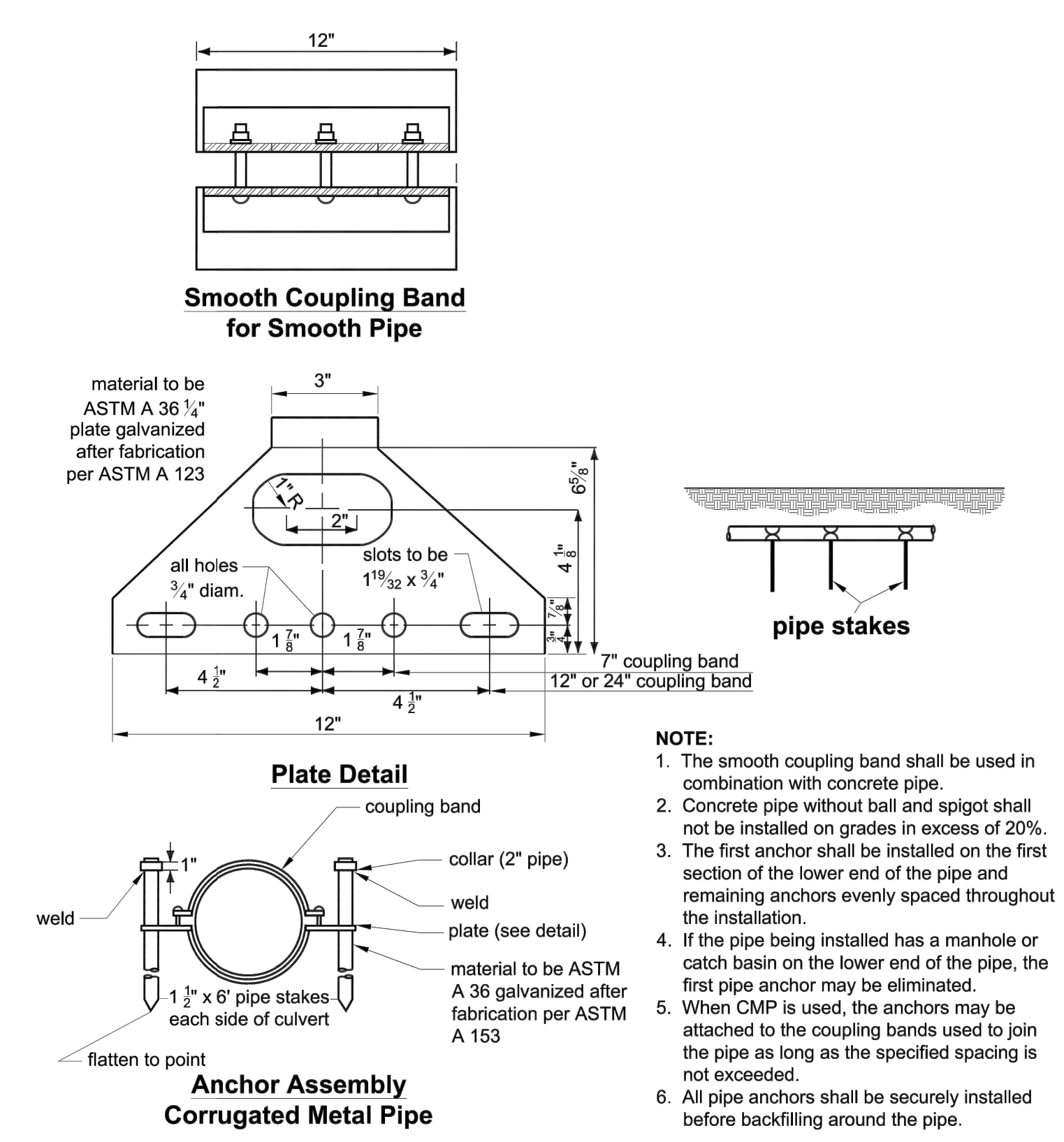


NOTES

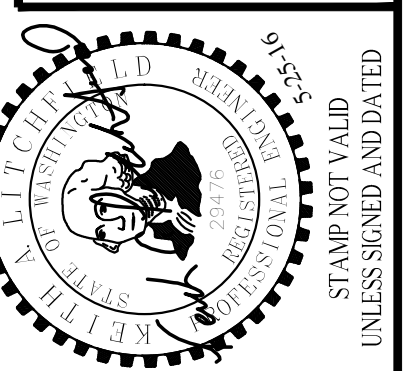
- ELBOWS SHALL NOT BE GREATER THAN 45 DEGREES.
- CLEAN OUT IS REQUIRED FOR EACH PIPE LENGTH GREATER THAN 100' AND FOR EACH 90° ACCUMULATED ELBOW/100'.
- RIGHT-OF-WAY RESTORATION SHALL MATCH OR EXCEED THE ORIGINAL CONDITION AND BE IN ACCORDANCE WITH CITY STANDARDS.
- ALL TRENCH BACKFILL IN PUBLIC RIGHT-OF-WAY OR ROADWAY AREAS SHALL BE CRUSHED SURFACING PER WSDOT 9-09.9(C) OR BANK RUN GRAVEL PER WSDOT 9-03.19, COMPACTED IN 6" LIFTS OR MAY BE CDF WHEN DIRECTED BY THE CITY ENGINEER (SEE DETAIL S-3).
- LAY PIPE IN STRAIGHT LINE BETWEEN BENDS. MAKE ALL CHANGES IN GRADE OR LINE WITH 1/8" BEND OR WYE. 90° CHANGE WITH 1/8" BEND AND WYE.
- 6" SEWER PIPE MINIMUM SIZE IN RIGHT-OF-WAY, AND ELSEWHERE AS DIRECTED BY ENGINEER. 2% MIN. GRADE (UNLESS DIRECTED BY ENGINEER), 50% MAXIMUM.
- ALL A.C. MAINS TO BE TAPPED IN ACCORDANCE WITH WAC 296-82-00775 STATE/FEDERAL GUIDELINES AND CERTIFICATION.
- CONSTRUCTION IN RIGHT-OF-WAY MUST BE DONE BY A REGISTERED AND LICENSED CONTRACTOR.
- ALL CONSTRUCTION SHALL BE IN ACCORDANCE WITH CURRENT CITY SEWER ORDINANCES.
- WHERE CITY ENGINEER ALLOWS SIDE SEWER CONNECTIONS TO MANHOLE, INVERT OF SIDE SEWER SHALL BE EQUAL TO OR ABOVE MAIN SEWER CROWN, BUT NOT TO EXCEED 18" ABOVE INVERT OF MAIN SEWER.
- UNLESS OTHERWISE INDICATED ON PLAN, SIDE SEWER SHALL BE MIN. OF 6" DEEP AT PROPERTY LINE, OR 5' LOWER THAN THE LOWEST ELEVATION, WHICH EVER IS LOWER.
- ALL PIPE MATERIALS NOT TO STANDARDS WILL BE ABANDONED AND REPLACED WITH DUCTILE IRON OR PVC PIPE OF THE SAME SIZE.
- IF A BUILDING SEWER IS TO SERVE MORE THAN ONE PROPERTY, BY JOINT AGREEMENT OF THE OWNERS, AN APPROVED EASEMENT INSURING THAT ALL PROPERTIES INVOLVED SHALL HAVE PERPETUAL USE OF THE SIDE SEWER, HAVING PROVISIONS FOR OPERATION, MAINTENANCE, RECONSTRUCTION AND FOR ACCESS FOR REPAIR PURPOSES, SHALL BE SIGNED BY THE OWNERS. THIS EASEMENT SHALL BE RECORDED WITH THE COUNTY AUDITOR. A SIX INCH (MINIMUM) DIAMETER PIPE SHALL BE USED FOR THE COMMON LINE AND A SIX INCH CLEANOUT EXTENDING TO WITHIN 12 INCHES OF THE GROUND SURFACE SHALL BE PROVIDED AT THE WYE WHERE THE UPPER GRADE CONNECTIONS ARE MADE. BACKWATER VALVES SHALL BE INSTALLED ON SERVICE LINES UPSTREAM OF THE CONNECTION TO THE SHARED SIDE SEWER.
- THE CITY ENGINEER MAY REQUIRE BACKWATER VALVES ON SIDE SEWERS WHEN DEEMED NECESSARY. THE EFFECTIVE OPERATION AND MAINTENANCE OF ANY BACKWATER VALVE SHALL BE THE RESPONSIBILITY OF THE OWNER OF THE SIDE SEWER.
- UTILITY PIPE TRACER TAPE SHALL BE DETECTABLE BELOW GROUND SURFACE, COLOR CODED, WITH UTILITY NAME PRINTED ON TAPE. CONDUCTIVE WARNING TAPE REQUIRED OVER ALL WATER PIPE. TAPE SHALL BE MANUFACTURER'S STANDARD PERMANENT, BRIGHT-COLORED, CONTINUOUS PRINTED PLASTIC TAPE, ALUMINUM BACKED, INTENDED FOR DIRECT-BURIAL SERVICE. TAPE SHALL BE NOT LESS THAN 6" WIDE X 4 MILS THICK.

CITY OF MERCER ISLAND STANDARD DETAILS SEWER		
SIDE SEWER CONNECTION AND STUB		
6-5-2009	NO SCALE	S-17
REV DATE		APPROVED

SECTION 4.2 PIPES, OUTFALLS, AND PUMPS
FIGURE 4.2.1.C CORRUGATED METAL PIPE COUPLING AND/OR GENERAL PIPE ANCHOR ASSEMBLY



APPROVED: _____ Date _____
CITY OF MERCER ISLAND DEVELOPMENT SERVICES GROUP

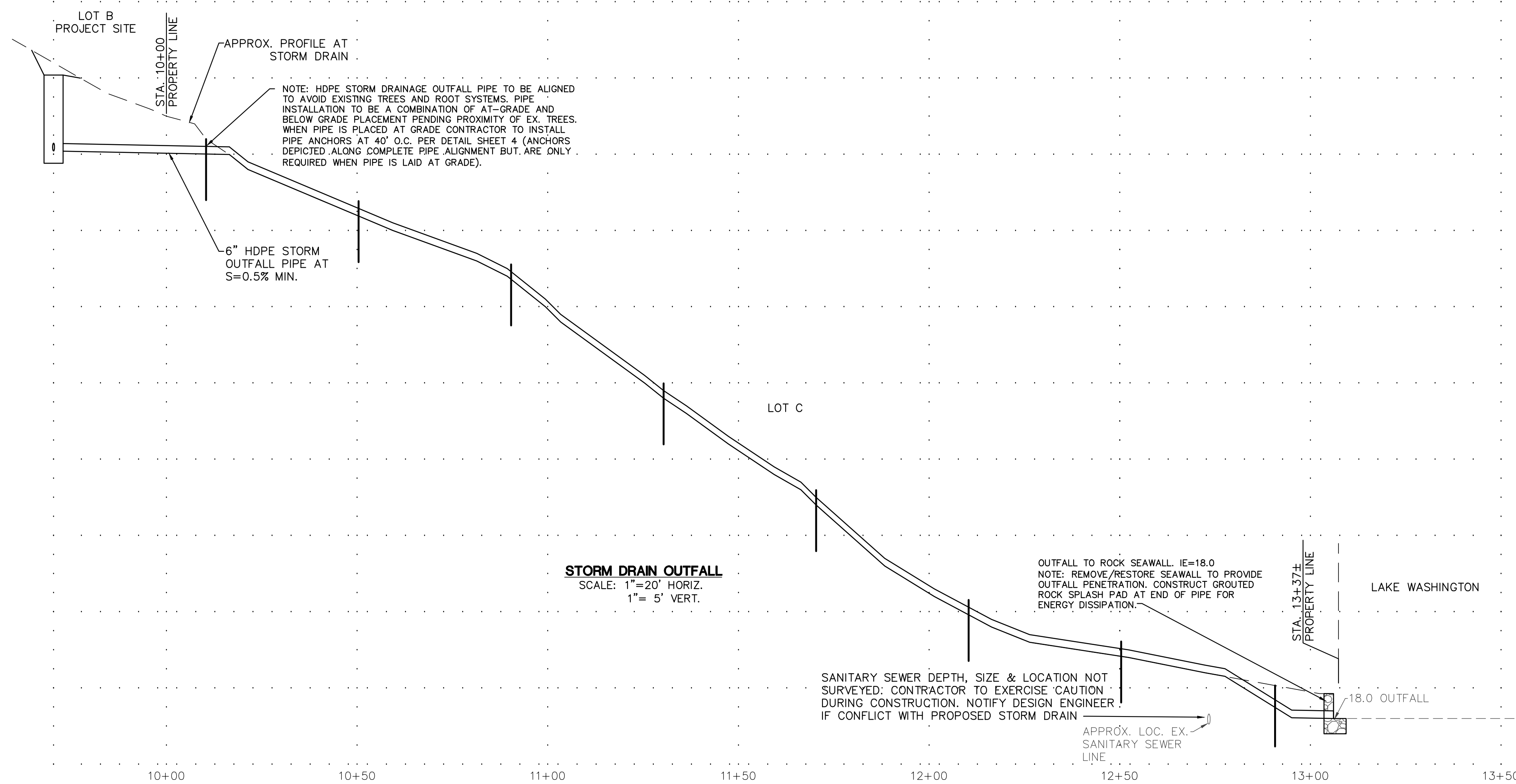


CHKD BY	DATE	NOTES
KAL	6-16-15	SUBMITTED TO CLIENT
KAL	10-19-15	REVISED PER CITY COMMENTS
KAL	3-25-16	ADD EXCAVATION PLAN: SHEET 5

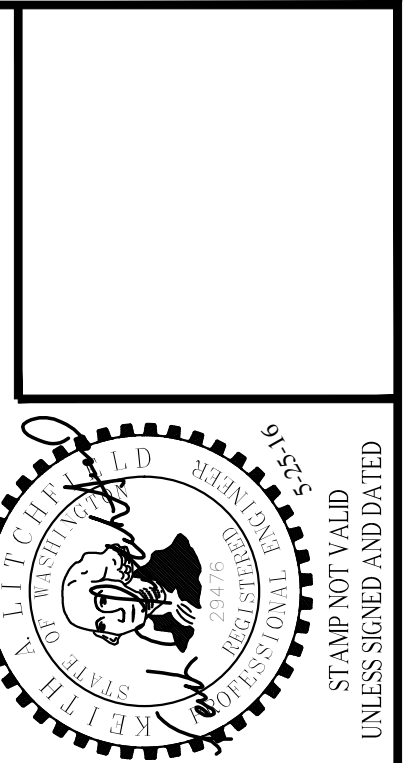
LITCHFIELD ENGINEERING

12840 81ST AVENUE NE
Kirkland, WA 98034
Tel: (425) 821-3038 Fax: (425) 821-5729

CONSTRUCTION DETAILS
BARCELLO HOMES S.F.R.
4634 EAST MERCER WAY
BOGDAN MAKSYMCHUK
P.O. BOX 1733
AUBURN, WA 98001



APPROVED: _____
CITY OF MERCER ISLAND DEVELOPMENT SERVICES GROUP Date



DATE	CHKD BY	DATE	NOTES
5-25-16	KAL		ADD PROFILE: SHEET 6
	KAL		

LITCHFIELD ENGINEERING

12840 81ST AVENUE NE
Kirkland, WA 98034
Tel: (425) 821-5088 Fax: (425) 821-5729

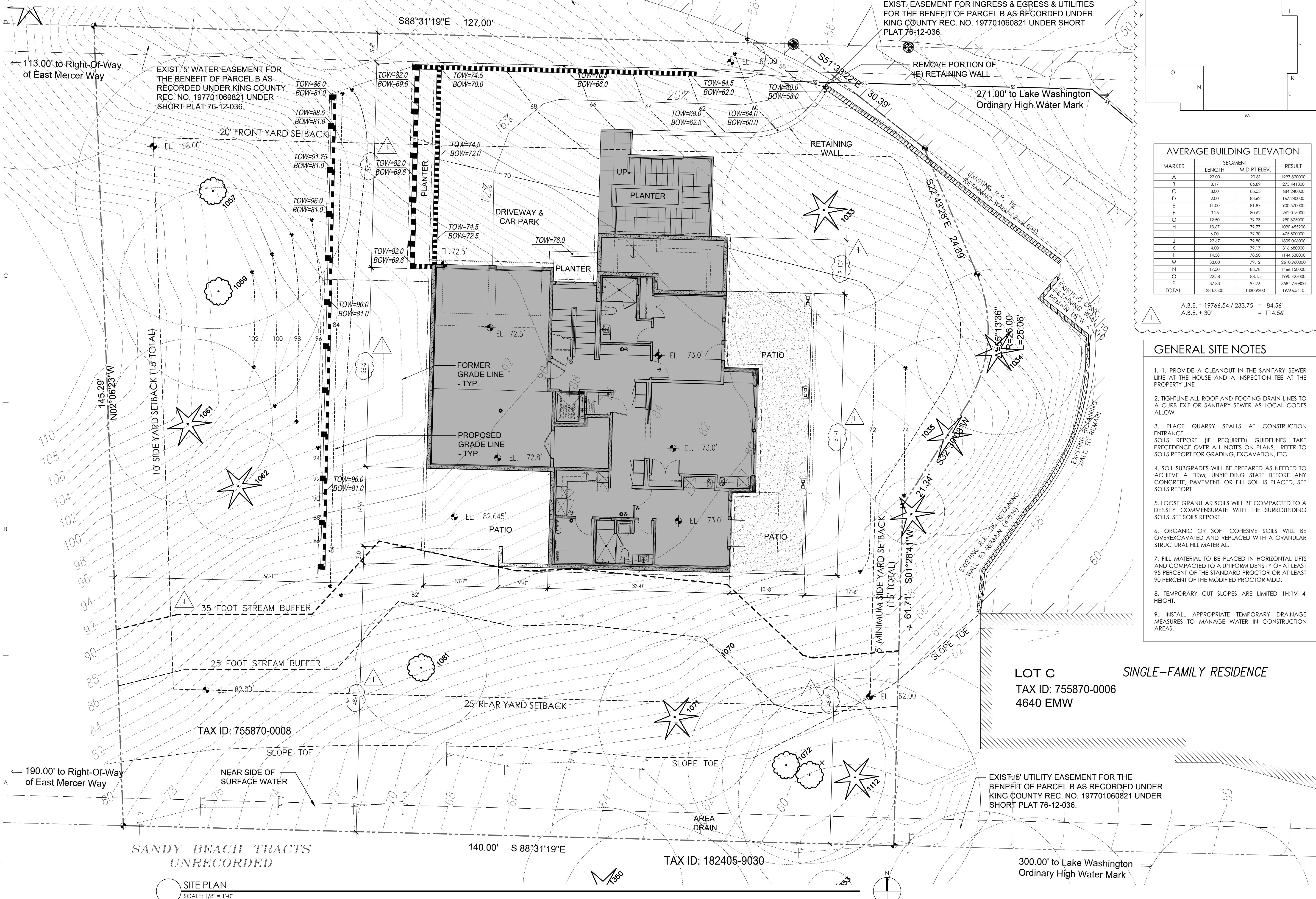
STORM DRAIN OUTFALL PROFILE
BARCELLO HOMES S.F.R.
4634 EAST MERCER WAY
BOGDAN MAKSYMCHUK
P.O. BOX 1733
AUBURN, WA 98071

SITE SLOPE CALCULATION

NORTH PROPERTY LINE LOWEST POINT = 56.8' HIGHEST POINT = 92.0'	MID PROPERTY LOWEST POINT = 67.5' HIGHEST POINT = 110.0'	SOUTH PROPERTY LINE LOWEST POINT = 56.8' HIGHEST POINT = 79.0'
DIFFERENCE = 35.2'	DIFFERENCE = 42.5'	DIFFERENCE = 22.2'
DISTANCE = 127.00'	DISTANCE = 140.80'	DISTANCE = 140.00'
35.2 / 127.0 = 27.71% LOT SLOPE	42.5 / 140.80 = 26.43% LOT SLOPE	22.2 / 140.0 = 15.88% LOT SLOPE

NOTE:
REFER TO CIVIL SHEET 3 OF 4 FOR INFORMATION REGARDING
WATER SERVICE, GAS SERVICE, ELECTRICAL SERVICE, SANITARY
SEWER, AND STORM DRAINAGE

END OF 2 INCH PVC
STUBBED OUT FOR WATER
A HYDRANT IS N47°38'50"W
AT A DISTANCE OF 202.57'



AVERAGE BUILDING ELEVATION

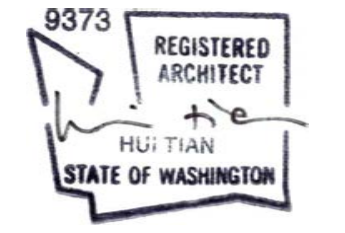
MARKER	SEGMENT	MID PT. ELEV.	RESULT
A	22.00	90.81	1997.820000
B	3.17	86.89	275.441300
C	8.00	85.53	684.240000
D	2.00	83.62	167.240000
E	11.00	81.87	905.370000
F	3.25	80.42	262.015000
G	12.50	79.23	993.375000
H	13.67	79.77	1090.459000
I	6.00	79.30	475.800000
J	22.67	79.80	1809.066000
K	4.00	79.17	316.480000
L	14.58	78.50	1144.530000
M	33.00	79.12	2610.960000
N	17.50	83.78	1466.150000
O	22.58	88.15	1990.427000
P	37.83	94.76	3584.770000
TOTAL:	233.7500	1330.9200	19766.5410

A.B.E. = 19766.54 / 233.75 = 84.56'
A.B.E. + 30' = 114.56'

- GENERAL SITE NOTES**
1. PROVIDE A CLEANOUT IN THE SANITARY SEWER LINE AT THE HOUSE AND AN INSPECTION TEE AT THE PROPERTY LINE.
 2. TIGHTLINE ALL ROOF AND FOOTING DRAIN LINES TO A CURB EXIT OR SANITARY SEWER AS LOCAL CODES ALLOW.
 3. PLACE QUARRY SPALLS AT CONSTRUCTION ENTRANCE. SOILS REPORT (IF REQUIRED) GUIDELINES TAKE PRECEDENCE OVER ALL NOTES ON PLANS. REFER TO SOILS REPORT FOR GRADING, EXCAVATION, ETC.
 4. SOIL SUBGRADES WILL BE PREPARED AS NEEDED TO ACHIEVE A FIRM, UNYIELDING STATE BEFORE ANY CONCRETE, PAVEMENT, OR FILL SOIL IS PLACED. SEE SOILS REPORT.
 5. LOOSE GRANULAR SOILS WILL BE COMPACTED TO A DENSITY COMMENSURATE WITH THE SURROUNDING SOILS. SEE SOILS REPORT.
 6. ORGANIC OR SOFT COHESIVE SOILS WILL BE OVEREXCAVATED AND REPLACED WITH A GRANULAR STRUCTURAL FILL MATERIAL.
 7. FILL MATERIAL TO BE PLACED IN HORIZONTAL LIFTS AND COMPACTED TO A UNIFORM DENSITY OF AT LEAST 95 PERCENT OF THE STANDARD PROCTOR OR AT LEAST 90 PERCENT OF THE MODIFIED PROCTOR MDD.
 8. TEMPORARY CUT SLOPES ARE LIMITED 1H:1V 4' HEIGHT.
 9. INSTALL APPROPRIATE TEMPORARY DRAINAGE MEASURES TO MANAGE WATER IN CONSTRUCTION AREAS.

CONSULTANT: _____

PROFESSIONAL SEAL: _____



PROJECT: _____

a project for:
Barcelo homes
PO BOX 1733 AUBURN, WA 98071
Phone: (206) 724-1072

EAST MERCER RESIDENCE

4634 EAST MERCER WAY
MERCER ISLAND, WA 98040

SHEET ISSUE: _____

6/24/2015	PERMIT SUBMITTAL
8/29/2016	PERMIT APPROVED
6/05/2017	REVISION TO PERMIT

MUNICIPALITY REVIEW: _____

PROJECT # MERCER ISLAND 15 - 015

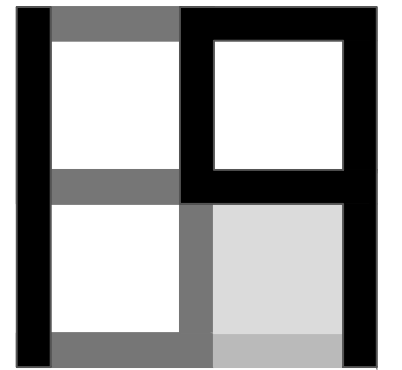
SHEET TITLE: _____

SITE PLAN

PROJECT NO.: 20140904
DATE ISSUED: 6/05/2017

SHEET NUMBER: _____

A1.01



NOTE: REFER TO CIVIL SHEET 3 OF 4 FOR INFORMATION REGARDING WATER SERVICE, GAS SERVICE, ELECTRICAL SERVICE, SANITARY SEWER, AND STORM DRAINAGE

TREE PLAN KEY NOTES

1. TREE PROTECTION FENCING AT DRIP LINE
2. ALL TRENCHES THAT ARE EXCAVATED WITHIN TREE DRIP LINES SHALL BE EXCAVATED WITH AN AIR SPADE SO THAT UTILITY LINES CAN BE INSTALLED WITHOUT CUTTING MAJOR ROOTS.
3. ROOTS EXPOSED IN OPEN TRENCHES MUST BE KEPT MOIST BY BEING COVERED WITH MOISTENED BURLAP UNTIL THE TRENCH CAN BE CLOSED.

TREE INVENTORY (SEE ARBORIST REPORT)

EXISTING ONSITE TREES		REMOVE/RETAIN
ARB SURVEY #	SPECIES	DBH DRIP COND
21	1030 DOUGLAS FIR	36" 26' G REMOVE
22	1029 DOUGLAS FIR	43" 27' G REMOVE
23	1028 DOUGLAS FIR	26" 33' G REMOVE
24	1033 DOUGLAS FIR	43" 23' F RETAIN
25	1034 DOUGLAS FIR	30" 15' G RETAIN
26	1035 DOUGLAS FIR	37" 18' G RETAIN
27	1047 DOUGLAS FIR	37" 21' F REMOVE
28	1048 SWEET CHERRY	8" 22' G REMOVE
29	1052 BIGLEAF MAPLE	36" 30' G REMOVE
30	1053 WSTRN RD CEDAR	9" 13' G REMOVE
31	1054 SITKA SPRUCE	5" 6' P REMOVE
32	1112 WSTRN HEMLOCK	20" 22' G RETAIN
33	1072 BIGLEAF MAPLE	14" 18' G RETAIN
34	1072X BIGLEAF MAPLE	8" 16' F RETAIN
35	1071 BIGLEAF MAPLE	38" 20' F RETAIN
36	1070 BIGLEAF MAPLE	9/8" 20' E RETAIN
37	1069 WSTRN RD CEDAR	15" 12' E REMOVE
38	1067 WSTRN RD CEDAR	41" 16' G REMOVE
39	1066 BIGLEAF MAPLE	32" 35' G REMOVE
40	1061 BIGLEAF MAPLE	18" 18' G RETAIN
41	1065 BIGLEAF MAPLE	34" 35' G REMOVE
42	1064 DOUGLAS FIR	44" 20' F REMOVE
43	1053 DOUGLAS FIR	31" 20' F REMOVE
44	1060 DOUGLAS FIR	34" 23' G REMOVE
45	1061 DOUGLAS FIR	33" 15' G RETAIN
46	1062 DOUGLAS FIR	13" 10' G RETAIN
47	1059 BIGLEAF MAPLE	31" 28' E RETAIN
48	1058 BIGLEAF MAPLE	34" 40' G RETAIN
49	1056 DOUGLAS FIR	13" 20' F REMOVE
50	1054 BIGLEAF MAPLE	40/11" 35' G,F REMOVE
51	1051 BIGLEAF MAPLE	10" 25' F REMOVE
52	1053 WSTRN HEMLOCK	10" 15' F REMOVE
53	1050 BIGLEAF MAPLE	14" 18' F RETAIN
A	----	4" 6" P

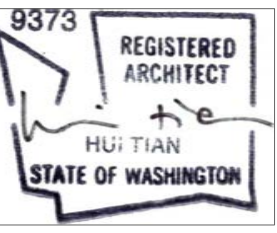
EXISTING OFF SITE TREES

LOT SURVEY #	SPECIES	DBH DRIP	REMOVE/RETAIN
4624 1023	MAPLE	6" 15'	NORTH OF SITE RETAIN
4624 1024	CEDAR	14" 20'	NORTH OF SITE RETAIN
LOT A 1175	CEDAR	48" 35'	RETAIN
LOT A 1234	DECID.	4" 9"	RETAIN
LOT A 1339	DECID.	4" 7"	RETAIN
LOT D 1308	CEDAR	38" 20'	RETAIN
LOT D 1329	CEDAR	22" 16'	RETAIN
LOT D 1326	DECID.	10" 6"	RETAIN
LOT D 1344	CEDAR	24" 10'	RETAIN
LOT D 1346	CEDAR	22" 9"	RETAIN
LOT D 1347	CEDAR	18" 8"	RETAIN
LOT D 1348	CEDAR	18" 10'	RETAIN
LOT D 1349	CEDAR	26" 9"	RETAIN
ESTIMATED (COULD NOT GAIN ACCESS)			
4644 1350	CEDAR	22" 20'	RETAIN
4644 1351	CEDAR	18" 16'	RETAIN
4644 1352	DECID.	8" 10"	RETAIN
4644 1353	CEDAR	6" 4"	RETAIN
4644 1354	CEDAR	22" 15'	RETAIN
4644 1355	CEDAR	16" 10"	RETAIN
4644 1356	CEDAR	22" 15'	RETAIN
4644 1357	CEDAR	26" 18"	RETAIN
4644 1358	CEDAR	12" 12"	RETAIN
4644 1359	CEDAR	22" 16"	RETAIN
4644 1360	DECID.	6" 7"	RETAIN
4644 1361	DECID.	10" 9"	RETAIN
4644 1362	DECID.	8" 6"	RETAIN

TOTAL ON SITE TREES TO BE REMOVED : 20
TOTAL ON SITE TREES TO REMAIN : 14
TOTAL OFF SITE TREES TO BE REMOVED : 0
SEE ARBORIST REPORT FOR MORE INFORMATION.

CONSULTANT: _____

PROFESSIONAL SEAL: _____



PROJECT: _____

a project for:

PO BOX 1733 AUBURN, WA 98071
Phone: (206) 724-1072

EAST MERCER RESIDENCE

4634 EAST MERCER WAY
MERCER ISLAND, WA 98040

SHEET ISSUE: _____

6/24/2015	PERMIT SUBMITTAL
8/29/2016	PERMIT APPROVED
6/05/2017	REVISION TO PERMIT

MARK DATE DESCRIPTION

MUNICIPALITY REVIEW: _____

PROJECT # MERCER ISLAND 15 - 015

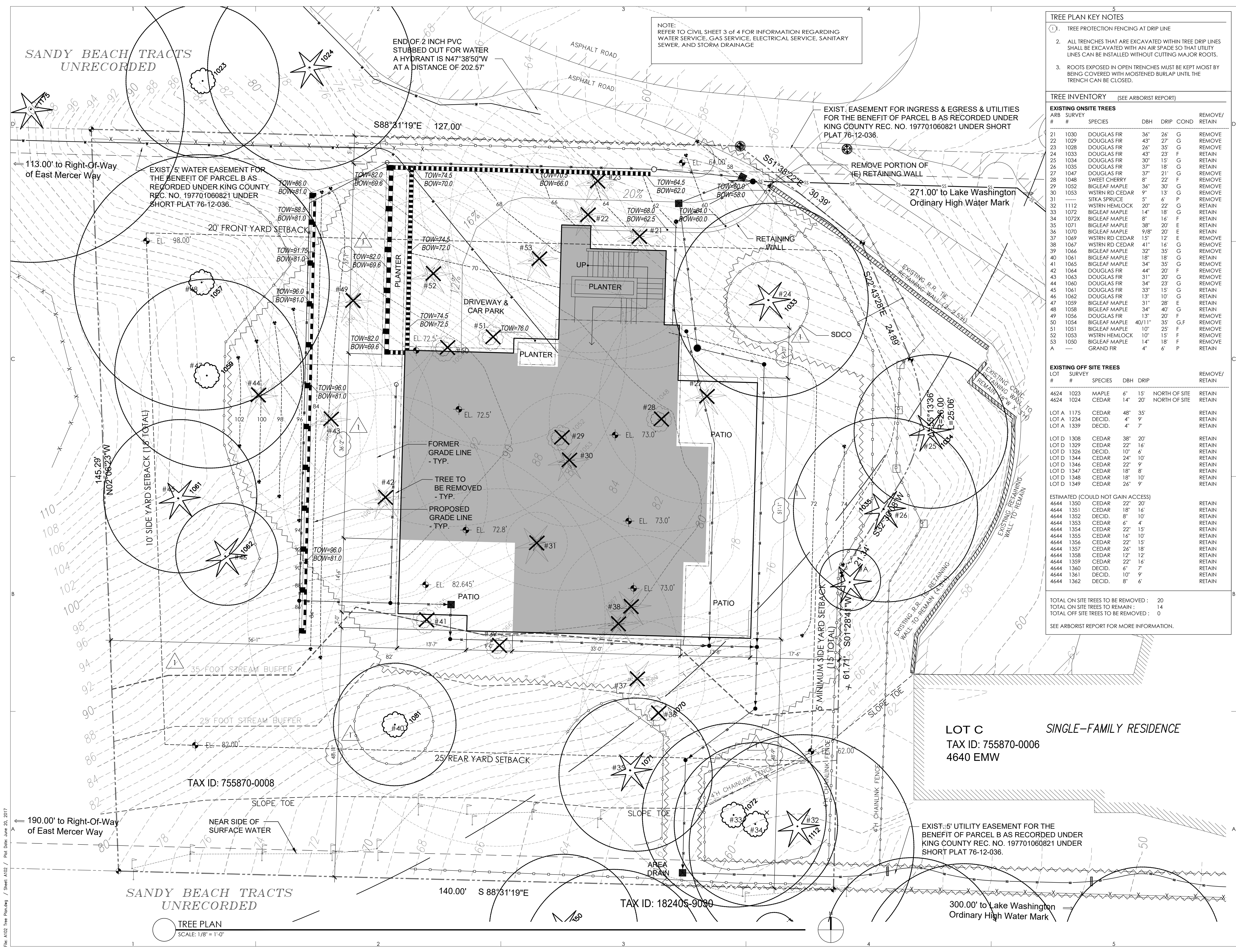
SHEET TITLE: _____

TREE PLAN

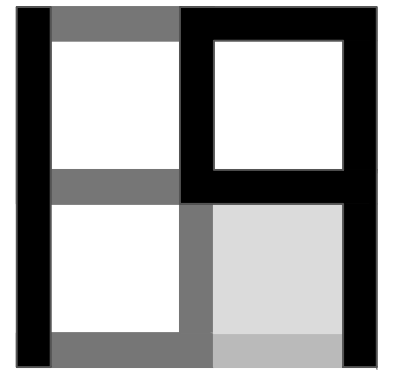
PROJECT NO.: 20140904

DATE ISSUED: 6/05/2017

SHEET NUMBER: _____



TREE PLAN
SCALE: 1/8" = 1'-0"



GENERAL NOTES

- 1-HR FIRE RATED ASSEMBLY BETWEEN GARAGE AND DWELLING, AND USABLE SPACE BELOW STAIR, SEE SHEET A2.01.
- 1/2" GYPSUM BOARD ON GARAGE SIDE REQUIRED AT WALLS SEPARATING GARAGE AND DWELLING.
- GARAGE CEILING REQUIRES 5/8" TYPE X GYPSUM BOARD, AND SUPPORTING STRUCTURE REQUIRES 1/2" GYPSUM BOARD.
- 1-3/8" THICK MINIMUM SOLID CORE OR 20 MINUTE DOOR REQUIRED BETWEEN GARAGE AND DWELLING, SEE SHEET A9.01.
- KITCHEN, BATHROOMS, LAUNDRY ROOM MUST BE VENTED MECHANICALLY PER SRC TABLE M1507.3.
- NON COMBUSTIBLE SURFACE ON GARAGE FLOORS (SRC R309.1).
- RESIDENTIAL ELEVATORS #950 HYD HP1 S 15 RH RAIL. PRIVATE RESIDENCE ELEVATORS SHALL COMPLY WITH ASME A17.1 AS REQUIRED BY IRC SECTION R323.1. ELEVATOR TO BE INSTALLED BY A LICENSED ELEVATOR CONTRACTOR AND SHALL HAVE YEARLY SAFETY INSPECTIONS AS REQUIRED BY WASHINGTON STATE DEPT. OF LABOR AND INDUSTRIES.

WALL TYPES

- W1** EXTERIOR BELOW GRADE CONCRETE WALLS
PROTECTION BOARD OVER
DRAINAGE MATT / DAMPROOFING OVER
REINFORCED CONCRETE WALL (PER STRUCTURAL)
WITH 1" AIR SPACE
WITH R-21 SPRAY FOAM INSULATION MIN. (OR EQUAL)
WITH 2x4 / 2x6 FRAMING @ 16" O.C. (PER STRUCTURAL)
WITH 1/2" GYPSUM WALL BOARD
WITH VAPOR BARRIER PVA PRIMER
FINISH PER INTERIORS
- W2** INTERIOR CONCRETE WALLS
FINISH PER INTERIORS OVER
1/2" GYPSUM WALL BOARD OVER DRAINAGE MATT / DAMPROOFING
OVER 2x4 / 2x6 FRAMING @ 16" O.C. (PER STRUCTURAL) OVER
1" AIR SPACE OVER
REINFORCED CONCRETE WALL (PER STRUCTURAL)
WITH 1" AIR SPACE
WITH 2x4 / 2x6 FRAMING @ 16" O.C. (PER STRUCTURAL)
WITH 1/2" GYPSUM WALL BOARD
WITH VAPOR BARRIER PVA PRIMER
FINISH PER INTERIORS
- W3** INTERIOR GARAGE TO HEATED SPACE 2x6 WALL ASSEMBLY
(1 HOUR RATED)
FINISH COAT EACH SIDE OVER
VAPOR BARRIER PVC PRIMER EACH SIDE OVER
5/8" GYPSUM WALLBOARD EACH SIDE (TYPE-X AT GARAGE) OVER
2x6 STUDS @ 16" O.C. OR AS NOTED.
R 21 FIBERGLASS INSULATION
- W4** INTERIOR FRAMED WALL ASSEMBLY (2x4)
FINISH COAT EACH SIDE OVER
VAPOR BARRIER PVC PRIMER EACH SIDE OVER
1/2" GYPSUM WALLBOARD EACH SIDE (SUBSTITUTE GREEN BOARD @
ALL BATHROOM WALLS) OVER
2X4 FRAMING
SOUND ATTENUATION INSULATION AT ALL BEDROOMS, BATHROOMS,
MECHANICAL ROOMS, AND AS NOTED ON PLAN.
- W5** INTERIOR FRAMED WALL ASSEMBLY - DOUBLE STUD (2x4)
FINISH COAT EACH SIDE OVER
VAPOR BARRIER PVC PRIMER EACH SIDE OVER
1/2" GYPSUM WALLBOARD EACH SIDE OVER
DOUBLE ROW 2X4 FRAMING @ 16" O.C. (U.N.O.) OR
SINGLE ROW 2x4 + SINGLE ROW 2x6 @ 16" O.C. (SEE PLAN)
SOUND ATTENUATION INSULATION AT ALL BEDROOMS, BATHROOMS,
MECHANICAL ROOMS, AND AS NOTED ON PLAN.
- W6** INTERIOR FRAMED WALL ASSEMBLY (2x6)
FINISH COAT EACH SIDE OVER
VAPOR BARRIER PVC PRIMER EACH SIDE OVER
1/2" GYPSUM WALLBOARD EACH SIDE (SUBSTITUTE GREEN BOARD @
ALL BATHROOM WALLS) OVER
2X6 FRAMING
SOUND ATTENUATION INSULATION AT ALL BEDROOMS, BATHROOMS,
MECHANICAL ROOMS, AND AS NOTED.
- W7** INTERIOR 1 HR FIRE RATED WALL ASSEMBLY
FINISH COAT EACH SIDE OVER
VAPOR BARRIER PVC PRIMER EACH SIDE OVER
5/8" GYPSUM TYPE 'X' WALLBOARD EACH SIDE OVER
2X4 FRAMING @ 16" O.C.
SOUND ATTENUATION INSULATION AT ALL BEDROOMS, BATHROOMS,
MECHANICAL ROOMS, AND AS NOTED.
- W8** EXTERIOR 2x6 WALL ASSEMBLY
EXTERIOR FINISH PER ELEVATIONS OVER
RAINSCREEN DRAINAGE SYSTEM
W/ CLIP SYSTEM AS INDICATED OVER
WEATHER RESISTIVE BARRIER OVER
PLYWOOD SHEATHING PER STRUCTURAL OVER
2x6 STUDS @ 16" O.C.
WITH R-21 INSULATION (MIN)
WITH 1/2" GYPSUM WALL BOARD
WITH VAPOR BARRIER PVA PRIMER
FINISH PER INTERIORS

CONSULTANT: _____

PROFESSIONAL SEAL: _____



PROJECT: _____

a project for:
Barcelo homes
PO BOX 1733 AUBURN, WA 98071
Phone: (206) 724-1072

EAST MERCER RESIDENCE

4634 EAST MERCER WAY
MERCER ISLAND, WA 98040

SHEET ISSUE:

6/24/2015	PERMIT SUBMITTAL
8/29/2016	PERMIT APPROVED
6/05/2017	REVISION TO PERMIT

MUNICIPALITY REVIEW: _____

PROJECT # MERCER ISLAND 15 - 015

SHEET TITLE:

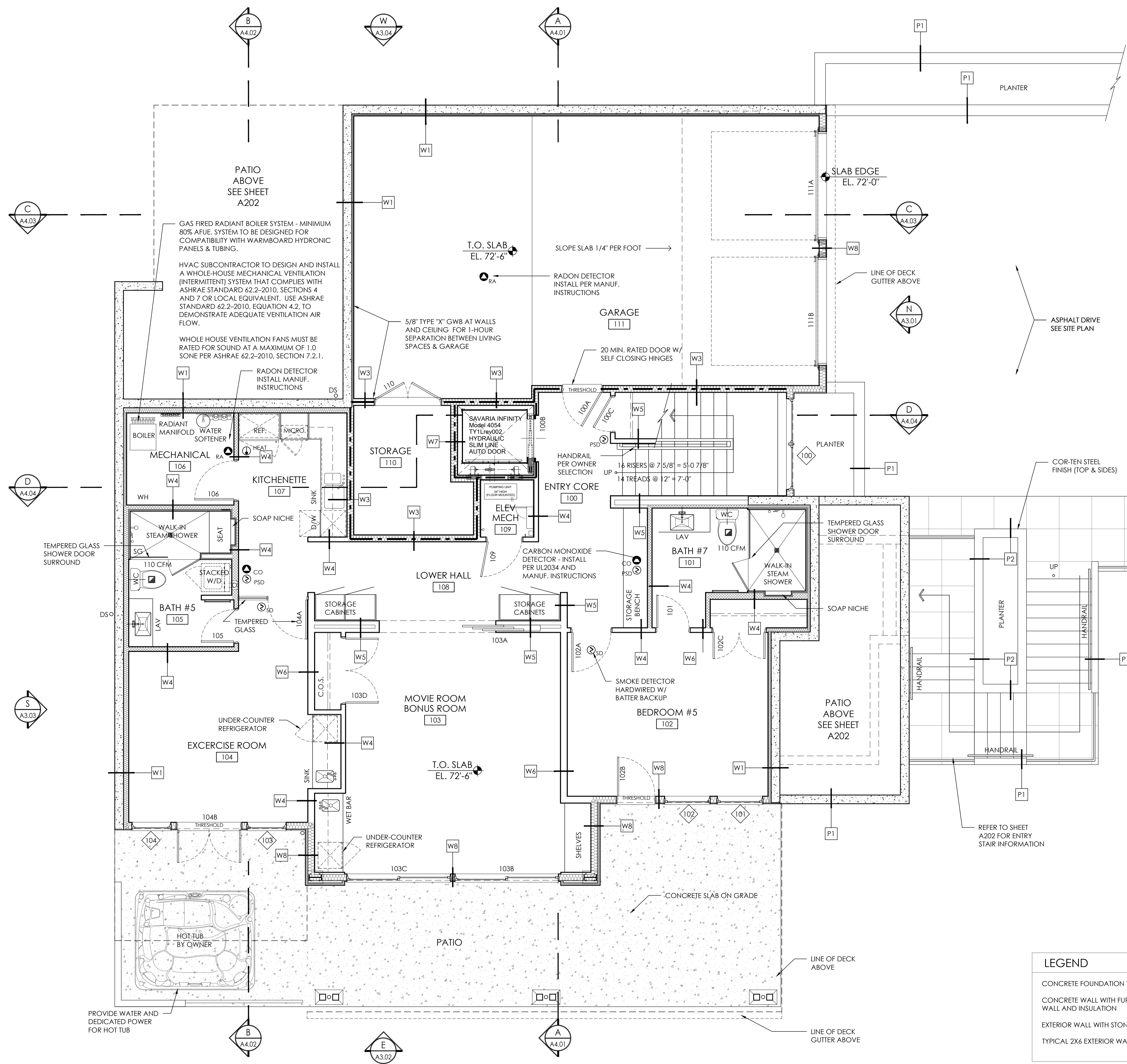
LEVEL 1 FLOOR PLAN

PROJECT NO.: 20140904

DATE ISSUED: 6/05/2017

SHEET NUMBER:

A2.01



LEGEND

CONCRETE FOUNDATION WALL	TYPICAL 2X4 INTERIOR WALL
CONCRETE WALL WITH FURRED WALL AND INSULATION	WALL WITH SOUND INSULATION
EXTERIOR WALL WITH STONE	1-HR FIRE RATED WALL
TYPICAL 2X6 EXTERIOR WALL	

A1 LEVEL 1 - FLOOR PLAN
SCALE: 1/4" = 1'-0"
(1,716 SF LIVING + 898 SF GARAGE)

File: A201 Level 1 Floor Plan.dwg / Sheet: A201 / Plot Date: June 5, 2017

GENERAL NOTES

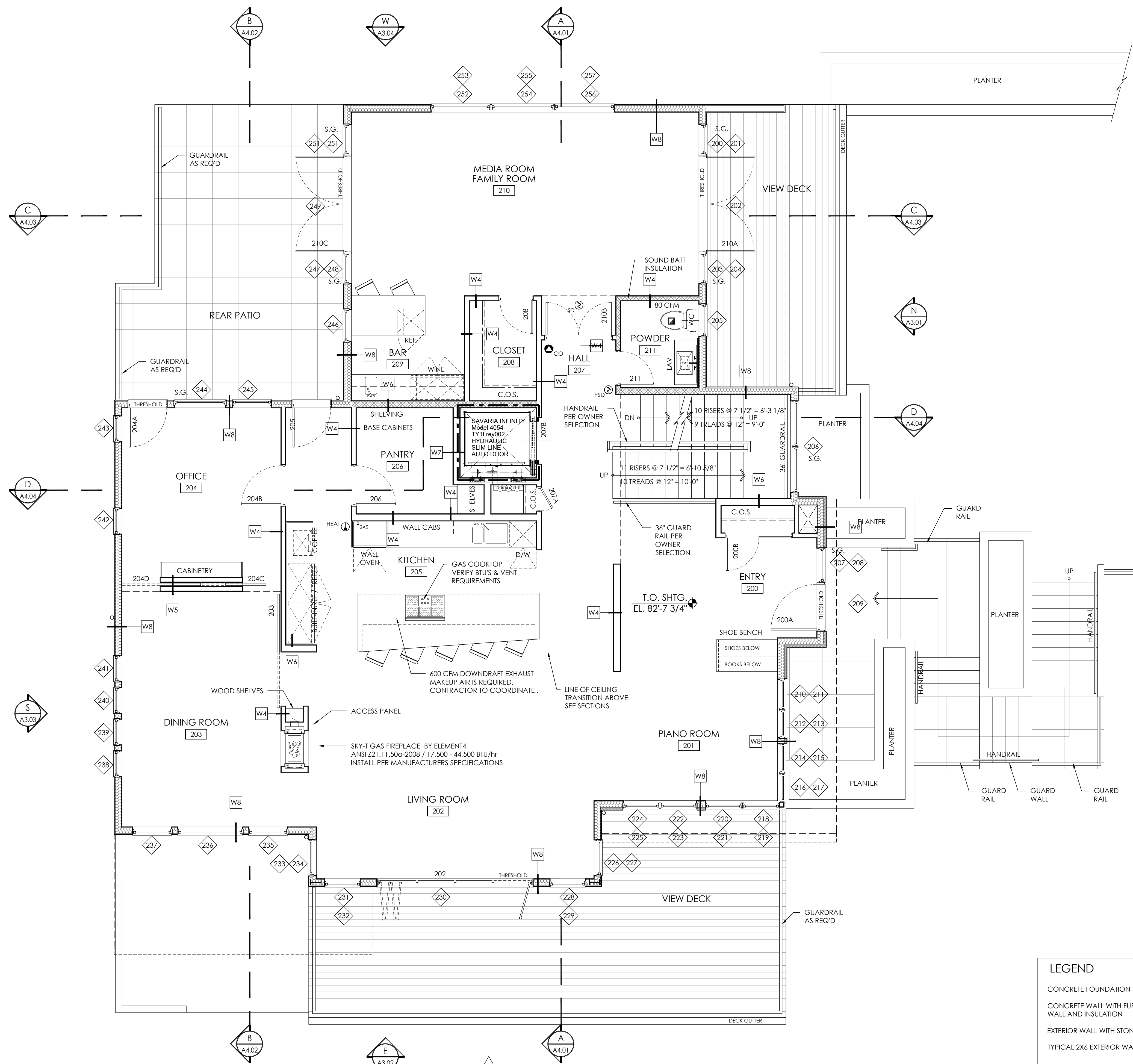
- 1-HR FIRE RATED ASSEMBLY BETWEEN GARAGE AND DWELLING, AND USABLE SPACE BELOW STAIR, SEE SHEET A2.01.
- 1/2" GYPSUM BOARD ON GARAGE SIDE REQUIRED AT WALLS SEPARATING GARAGE AND DWELLING.
- GARAGE CEILING REQUIRES 5/8" TYPE X GYPSUM BOARD, AND SUPPORTING STRUCTURE REQUIRES 1/2" GYPSUM BOARD.
- 1-3/8" THICK MINIMUM SOLID CORE OR 20 MINUTE DOOR REQUIRED BETWEEN GARAGE AND DWELLING. SEE SHEET A9.01.
- KITCHEN, BATHROOMS, LAUNDRY ROOM MUST BE VENTED MECHANICALLY PER SRC TABLE M1507.3.
- NON COMBUSTIBLE SURFACE ON GARAGE FLOORS (SRC R309.1).
- RESIDENTIAL ELEVATORS #950 HYD HP1 S 15 RH RAIL. PRIVATE RESIDENCE ELEVATORS SHALL COMPLY WITH ASME A17.1 AS REQUIRED BY IRC SECTION R323.1. ELEVATOR TO BE INSTALLED BY A LICENSED ELEVATOR CONTRACTOR AND SHALL HAVE YEARLY SAFETY INSPECTIONS AS REQUIRED BY WASHINGTON STATE DEPT. OF LABOR AND INDUSTRIES.

WALL TYPES

- W1** EXTERIOR BELOW GRADE CONCRETE WALLS
 PROTECTION BOARD OVER
 DRAINAGE MATT / DAMPROOFING OVER
 REINFORCED CONCRETE WALL (PER STRUCTURAL)
 WITH 1" AIR SPACE
 WITH R-21 SPRAY FOAM INSULATION MIN. (OR EQUAL)
 WITH 2x4 / 2x6 FRAMING @ 16" O.C. (PER STRUCTURAL)
 WITH 1/2" GYPSUM WALL BOARD
 WITH VAPOR BARRIER PVA PRIMER
 FINISH PER INTERIORS
- W2** INTERIOR CONCRETE WALLS
 FINISH PER INTERIORS OVER
 1/2" GYPSUM WALL BOARD OVER DRAINAGE MATT / DAMPROOFING
 OVER 2x4 / 2x6 FRAMING @ 16" O.C. (PER STRUCTURAL) OVER
 1" AIR SPACE OVER
 REINFORCED CONCRETE WALL (PER STRUCTURAL)
 WITH 1" AIR SPACE
 WITH 2x4 / 2x6 FRAMING @ 16" O.C. (PER STRUCTURAL)
 WITH 1/2" GYPSUM WALL BOARD
 WITH VAPOR BARRIER PVA PRIMER
 FINISH PER INTERIORS
- W3** INTERIOR GARAGE TO HEATED SPACE 2x6 WALL ASSEMBLY
 (1 HOUR RATED)
 FINISH COAT EACH SIDE OVER
 VAPOR BARRIER PVC PRIMER EACH SIDE OVER
 5/8" GYPSUM WALLBOARD EACH SIDE (TYPE-X AT GARAGE) OVER
 2x6 STUDS @ 16" O.C. OR AS NOTED.
 R-21 FIBERGLASS INSULATION
- W4** INTERIOR FRAMED WALL ASSEMBLY (2x4)
 FINISH COAT EACH SIDE OVER
 VAPOR BARRIER PVC PRIMER EACH SIDE OVER
 1/2" GYPSUM WALLBOARD EACH SIDE (SUBSTITUTE GREEN BOARD @
 ALL BATHROOM WALLS) OVER
 2X4 FRAMING
 SOUND ATTENUATION INSULATION AT ALL BEDROOMS, BATHROOMS,
 MECHANICAL ROOMS, AND AS NOTED ON PLAN.
- W5** INTERIOR FRAMED WALL ASSEMBLY - DOUBLE STUD (2x4)
 FINISH COAT EACH SIDE OVER
 VAPOR BARRIER PVC PRIMER EACH SIDE OVER
 1/2" GYPSUM WALLBOARD EACH SIDE OVER
 DOUBLE ROW 2X4 FRAMING @ 16" O.C. (U.N.O.) OR
 SINGLE ROW 2x4 + SINGLE ROW 2x6 @ 16" O.C. (SEE PLAN)
 SOUND ATTENUATION INSULATION AT ALL BEDROOMS, BATHROOMS,
 MECHANICAL ROOMS, AND AS NOTED ON PLAN.
- W6** INTERIOR FRAMED WALL ASSEMBLY (2x6)
 FINISH COAT EACH SIDE OVER
 VAPOR BARRIER PVC PRIMER EACH SIDE OVER
 1/2" GYPSUM WALLBOARD EACH SIDE (SUBSTITUTE GREEN BOARD @
 ALL BATHROOM WALLS) OVER
 2X6 FRAMING
 SOUND ATTENUATION INSULATION AT ALL BEDROOMS, BATHROOMS,
 MECHANICAL ROOMS, AND AS NOTED.
- W7** INTERIOR 1-HR FIRE RATED WALL ASSEMBLY
 FINISH COAT EACH SIDE OVER
 VAPOR BARRIER PVC PRIMER EACH SIDE OVER
 5/8" GYPSUM TYPE 'X' WALLBOARD EACH SIDE OVER
 2X4 FRAMING @ 16" O.C.
 SOUND ATTENUATION INSULATION AT ALL BEDROOMS, BATHROOMS,
 MECHANICAL ROOMS, AND AS NOTED.
- W8** EXTERIOR 2x6 WALL ASSEMBLY
 EXTERIOR FINISH PER ELEVATIONS OVER
 RAINDRIVEN DRAINAGE SYSTEM
 W/ CLIP SYSTEM AS INDICATED OVER
 WEATHER RESISTIVE BARRIER OVER
 PLYWOOD SHEATHING PER STRUCTURAL OVER
 2x6 STUDS @ 16" O.C.
 WITH R-21 INSULATION (MIN)
 WITH 1/2" GYPSUM WALL BOARD
 WITH VAPOR BARRIER PVA PRIMER
 FINISH PER INTERIORS

LEGEND

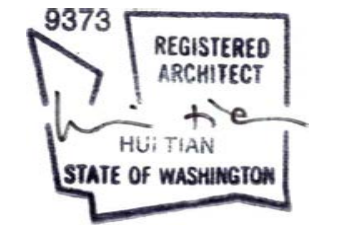
CONCRETE FOUNDATION WALL	TYPICAL 2X4 INTERIOR WALL
CONCRETE WALL WITH FURRED WALL AND INSULATION	WALL WITH SOUND INSULATION
EXTERIOR WALL WITH STONE	1-HR FIRE RATED WALL
TYPICAL 2X6 EXTERIOR WALL	



A2 LEVEL 2 - FLOOR PLAN
 SCALE: 1/4" = 1'-0"
 (2,408 SF LIVING)

CONSULTANT: _____

PROFESSIONAL SEAL: _____



PROJECT: _____

a project for:

PO BOX 1733 AUBURN, WA 98071
 Phone: (206) 724-1072

EAST MERCER RESIDENCE

4634 EAST MERCER WAY
 MERCER ISLAND, WA 98040

SHEET ISSUE:

DATE	DESCRIPTION
6/24/2015	PERMIT SUBMITTAL
8/29/2016	PERMIT APPROVED
6/05/2017	REVISION TO PERMIT

MUNICIPALITY REVIEW:

PROJECT # MERCER ISLAND 15 - 015

SHEET TITLE:

LEVEL 2
 FLOOR PLAN

PROJECT NO.: 20140904

DATE ISSUED: 6/05/2017

SHEET NUMBER: **A2.02**

CONSULTANT: _____

PROFESSIONAL SEAL: _____



PROJECT: _____

a project for:

 PO BOX 1733 AUBURN, WA 98071
 Phone: (206) 724-1072

EAST MERCER RESIDENCE

4634 EAST MERCER WAY
 MERCER ISLAND, WA 98040

SHEET ISSUE: _____

6/24/2015	PERMIT SUBMITTAL
8/29/2016	PERMIT APPROVED
6/05/2017	REVISION TO PERMIT

MARK	DATE	DESCRIPTION

MUNICIPALITY REVIEW: _____

PROJECT # MERCER ISLAND 15 - 015

SHEET TITLE: _____

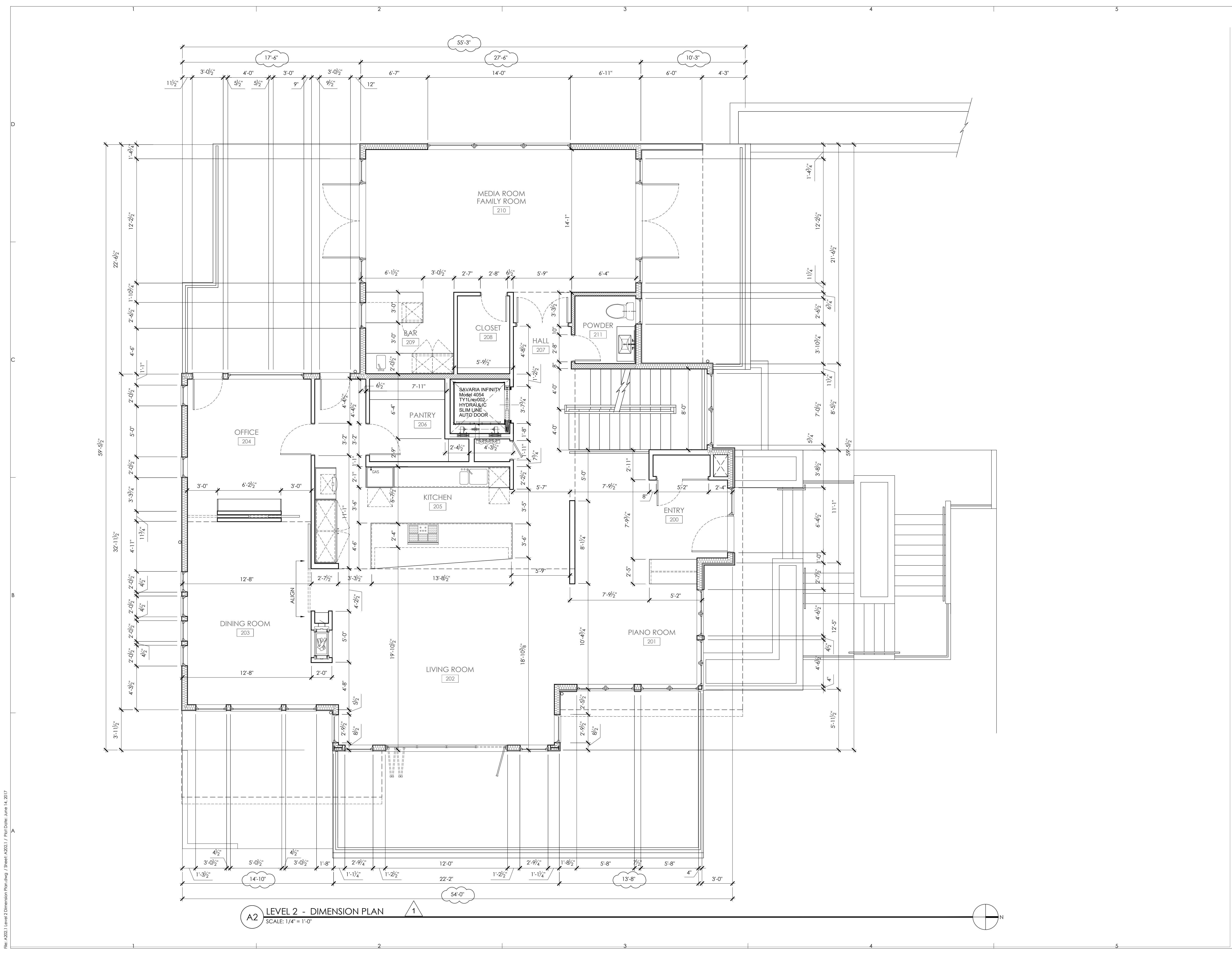
LEVEL 2
 DIMENSION PLAN

PROJECT NO.: 20140904

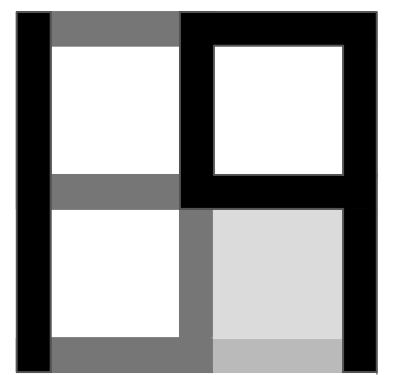
DATE ISSUED: 6/05/2017

SHEET NUMBER: _____

A2.02.1



A2 LEVEL 2 - DIMENSION PLAN
 SCALE: 1/4" = 1'-0"



GENERAL NOTES

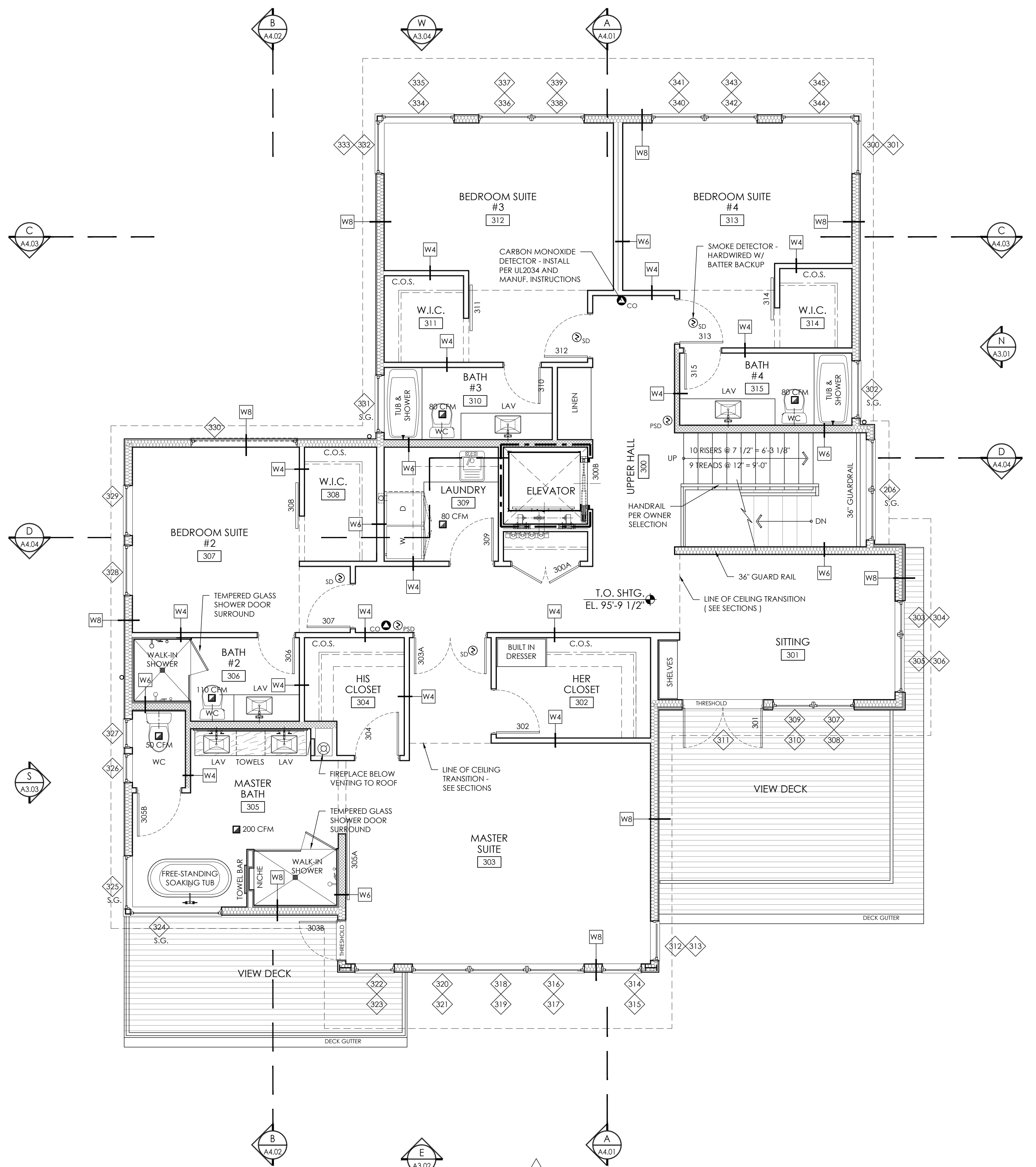
- 1-HR FIRE RATED ASSEMBLY BETWEEN GARAGE AND DWELLING, AND USABLE SPACE BELOW STAIR, SEE SHEET A2.01.
- 1/2" GYPSUM BOARD ON GARAGE SIDE REQUIRED AT WALLS SEPARATING GARAGE AND DWELLING.
- GARAGE CEILINGS REQUIRES 5/8" TYPE X GYPSUM BOARD, AND SUPPORTING STRUCTURE REQUIRES 1/2" GYPSUM BOARD.
- 1-3/8" THICK MINIMUM SOLID CORE OR 20 MINUTE DOOR REQUIRED BETWEEN GARAGE AND DWELLING, SEE SHEET A9.01.
- KITCHEN, BATHROOMS, LAUNDRY ROOM MUST BE VENTED MECHANICALLY PER SRC TABLE M1507.3.
- NON COMBUSTIBLE SURFACE ON GARAGE FLOORS (SRC R309.1).
- RESIDENTIAL ELEVATORS #950 HYD HP1 S 15 RH RAIL. PRIVATE RESIDENCE ELEVATORS SHALL COMPLY WITH ASME A17.1 AS REQUIRED BY IRC SECTION R323.1. ELEVATOR TO BE INSTALLED BY A LICENSED ELEVATOR CONTRACTOR AND SHALL HAVE YEARLY SAFETY INSPECTIONS AS REQUIRED BY WASHINGTON STATE DEPT. OF LABOR AND INDUSTRIES.

WALL TYPES

- W1** EXTERIOR ABOVE GRADE CONCRETE WALLS
PROTECTION BOARD OVER
DRAINAGE MATT / DAMPROOFING OVER
REINFORCED CONCRETE WALL (PER STRUCTURAL)
WITH 1" AIR SPACE
WITH R-21 SPREAY FOAM INSULATION MIN. (OR EQUAL)
WITH 2x4 / 2x6 FRAMING @ 16" O.C. (PER STRUCTURAL)
WITH 1/2" GYPSUM WALL BOARD
WITH VAPOR BARRIER PVA PRIMER
FINISH PER INTERIORS
- W2** INTERIOR CONCRETE WALLS
FINISH PER INTERIORS OVER
1/2" GYPSUM WALL BOARD OVER DRAINAGE MATT / DAMPROOFING
OVER 2x4 / 2x6 FRAMING @ 16" O.C. (PER STRUCTURAL) OVER
1" AIR SPACE OVER
REINFORCED CONCRETE WALL (PER STRUCTURAL)
WITH 1" AIR SPACE
WITH 2x4 / 2x6 FRAMING @ 16" O.C. (PER STRUCTURAL)
WITH 1/2" GYPSUM WALL BOARD
FINISH PER INTERIORS
- W3** INTERIOR GARAGE TO HEATED SPACE 2x6 WALL ASSEMBLY
(1 HOUR RATED)
FINISH COAT EACH SIDE OVER
VAPOR BARRIER PVC PRIMER EACH SIDE OVER
5/8" GYPSUM WALLBOARD EACH SIDE (TYPE-X AT GARAGE) OVER
2x6 STUDS @ 16" O.C. OR AS NOTED.
R-21 FIBERGLASS INSULATION
- W4** INTERIOR FRAMED WALL ASSEMBLY (2x4)
FINISH COAT EACH SIDE OVER
VAPOR BARRIER PVC PRIMER EACH SIDE OVER
1/2" GYPSUM WALLBOARD EACH SIDE (SUBSTITUTE GREEN BOARD @
ALL BATHROOM WALLS) OVER
2X4 FRAMING
SOUND ATTENUATION INSULATION AT ALL BEDROOMS, BATHROOMS,
MECHANICAL ROOMS, AND AS NOTED ON PLAN.
- W5** INTERIOR FRAMED WALL ASSEMBLY - DOUBLE STUD (2x4)
FINISH COAT EACH SIDE OVER
VAPOR BARRIER PVC PRIMER EACH SIDE OVER
1/2" GYPSUM WALLBOARD EACH SIDE OVER
DOUBLE ROW 2X4 FRAMING @ 16" O.C. (U.N.O.) OR
SINGLE ROW 2x4 + SINGLE ROW 2x6 @ 16" O.C. (SEE PLAN)
SOUND ATTENUATION INSULATION AT ALL BEDROOMS, BATHROOMS,
MECHANICAL ROOMS, AND AS NOTED ON PLAN.
- W6** INTERIOR FRAMED WALL ASSEMBLY (2x6)
FINISH COAT EACH SIDE OVER
VAPOR BARRIER PVC PRIMER EACH SIDE OVER
1/2" GYPSUM WALLBOARD EACH SIDE (SUBSTITUTE GREEN BOARD @
ALL BATHROOM WALLS) OVER
2X6 FRAMING
SOUND ATTENUATION INSULATION AT ALL BEDROOMS, BATHROOMS,
MECHANICAL ROOMS, AND AS NOTED.
- W7** INTERIOR 1 HR FIRE RATED WALL ASSEMBLY
FINISH COAT EACH SIDE OVER
VAPOR BARRIER PVC PRIMER EACH SIDE OVER
5/8" GYPSUM TYPE 'X' WALLBOARD EACH SIDE OVER
2X4 FRAMING @ 16" O.C.
SOUND ATTENUATION INSULATION AT ALL BEDROOMS, BATHROOMS,
MECHANICAL ROOMS, AND AS NOTED.
- W8** EXTERIOR 2x6 WALL ASSEMBLY
EXTERIOR FINISH PER ELEVATIONS OVER
RAINSREEN DRAINAGE SYSTEM
W/ CLIP SYSTEM AS INDICATED OVER
WEATHER RESISTIVE BARRIER OVER
PLYWOOD SHEATHING PER STRUCTURAL OVER
2x6 STUDS @ 16" O.C.
WITH R-21 INSULATION (MIN)
WITH 1/2" GYPSUM WALL BOARD
WITH VAPOR BARRIER PVA PRIMER
FINISH PER INTERIORS

LEGEND

CONCRETE FOUNDATION WALL	TYPICAL 2X4 INTERIOR WALL
CONCRETE WALL WITH FURRED WALL AND INSULATION	WALL WITH SOUND INSULATION
EXTERIOR WALL WITH STONE	1-HR FIRE RATED WALL
TYPICAL 2X6 EXTERIOR WALL	



A3 LEVEL 3 - FLOOR PLAN
SCALE: 1/4" = 1'-0"
(2,364 SF LIVING)

CONSULTANT: _____

PROFESSIONAL SEAL: _____



PROJECT: _____

a project for:
Barcelo homes
PO BOX 1733 AUBURN, WA 98071
Phone: (206) 724-1072

EAST MERCER RESIDENCE

4634 EAST MERCER WAY
MERCER ISLAND, WA 98040

SHEET ISSUE:

6/24/2015	PERMIT SUBMITTAL
8/29/2016	PERMIT APPROVED
6/05/2017	REVISION TO PERMIT

MARK DATE DESCRIPTION

MUNICIPALITY REVIEW: _____

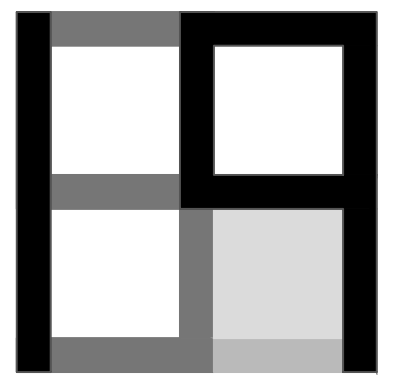
PROJECT # MERCER ISLAND 15 - 015

SHEET TITLE: _____

LEVEL 3 FLOOR PLAN

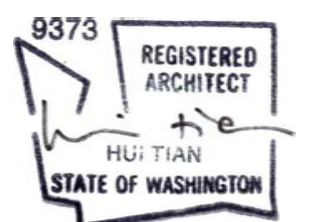
PROJECT NO.: 20140904
DATE ISSUED: 6/05/2017

SHEET NUMBER: A2.03



CONSULTANT: _____

PROFESSIONAL SEAL: _____



PROJECT: _____

a project for:
Barcelo homes
 PO BOX 1733 AUBURN, WA 98071
 Phone: (206) 724-1072

EAST MERCER RESIDENCE

4634 EAST MERCER WAY
MERCER ISLAND, WA 98040

SHEET ISSUE: _____

6/24/2015	PERMIT SUBMITTAL
8/29/2016	PERMIT APPROVED
6/05/2017	REVISION TO PERMIT

MARK	DATE	DESCRIPTION

MUNICIPALITY REVIEW: _____

PROJECT # MERCER ISLAND 15 - 015

SHEET TITLE: _____

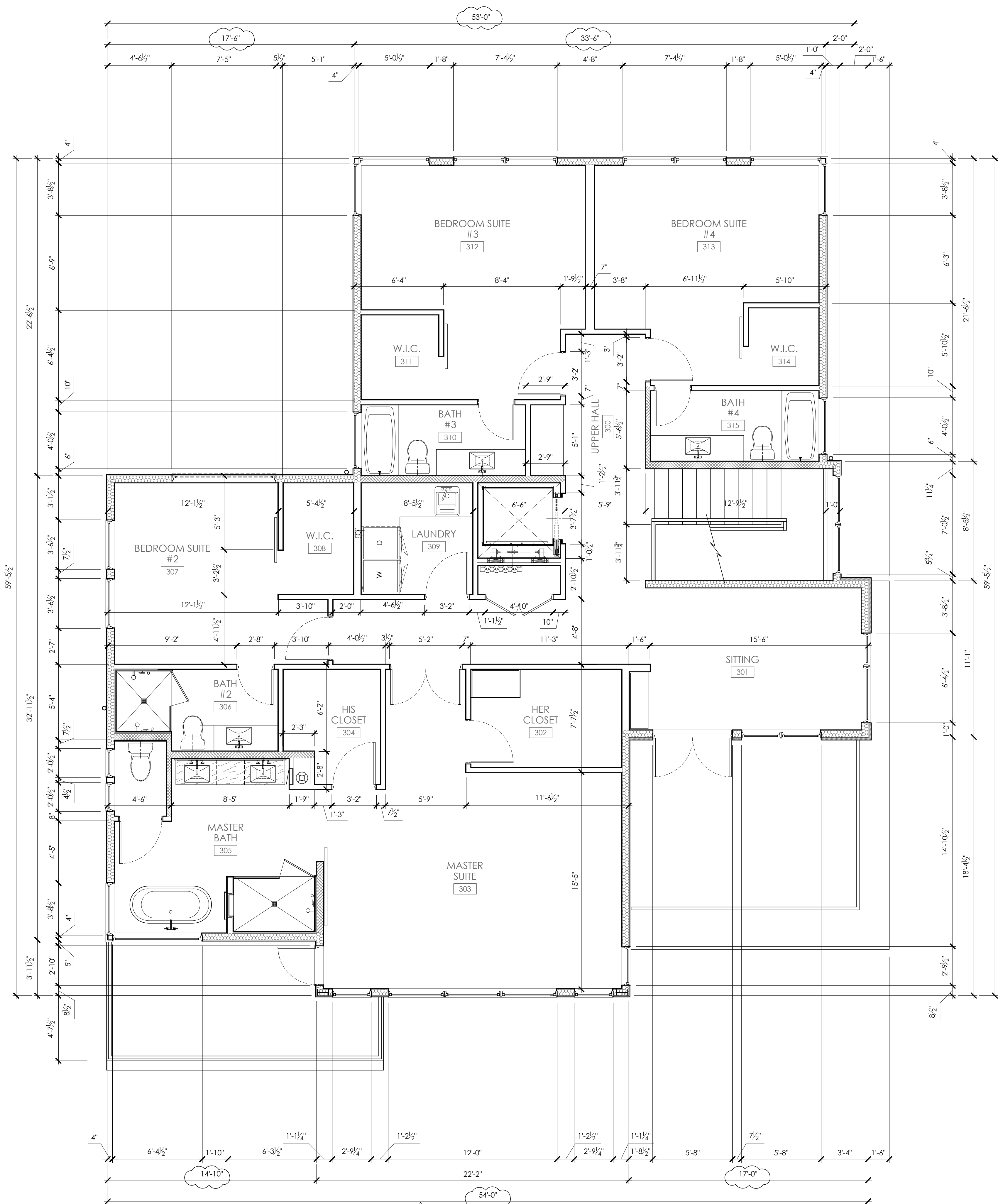
LEVEL 3
DIMENSION PLAN

PROJECT NO.: 20140904

DATE ISSUED: 6/05/2017

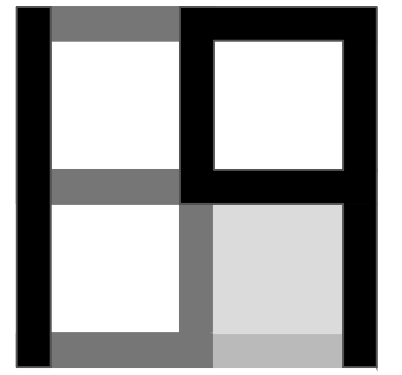
SHEET NUMBER: _____

A2.03.1



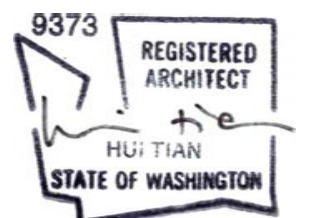
A3 LEVEL 3 - DIMENSION PLAN
SCALE: 1/4" = 1'-0"





CONSULTANT:

PROFESSIONAL SEAL:



PROJECT:

a project for:
Barcelo homes
PO BOX 1733 AUBURN, WA 98071
Phone: (206) 724-1072

EAST MERCER RESIDENCE

4634 EAST MERCER WAY
MERCER ISLAND, WA 98040

SHEET ISSUE:

6/24/2015	PERMIT SUBMITTAL
8/29/2016	PERMIT APPROVED
6/05/2017	REVISION TO PERMIT

MARK DATE DESCRIPTION

MUNICIPALITY REVIEW:

PROJECT # MERCER ISLAND 15 - 015

SHEET TITLE:

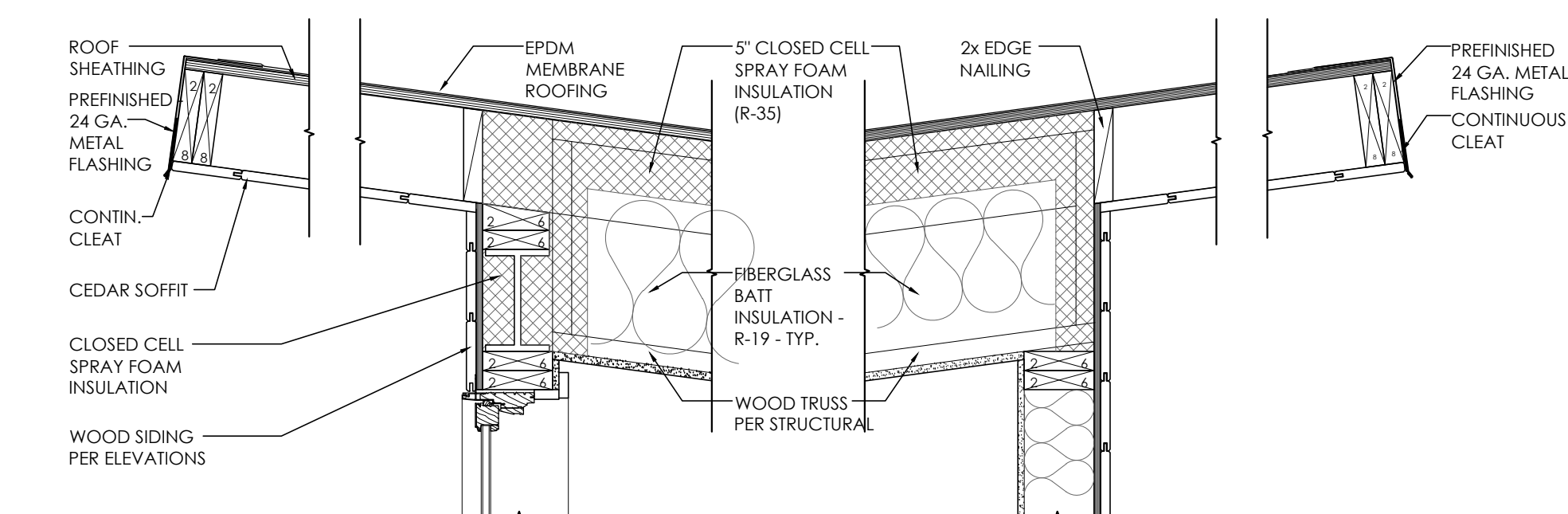
ROOF PLAN

PROJECT NO.: 20140904

DATE ISSUED: 6/05/2017

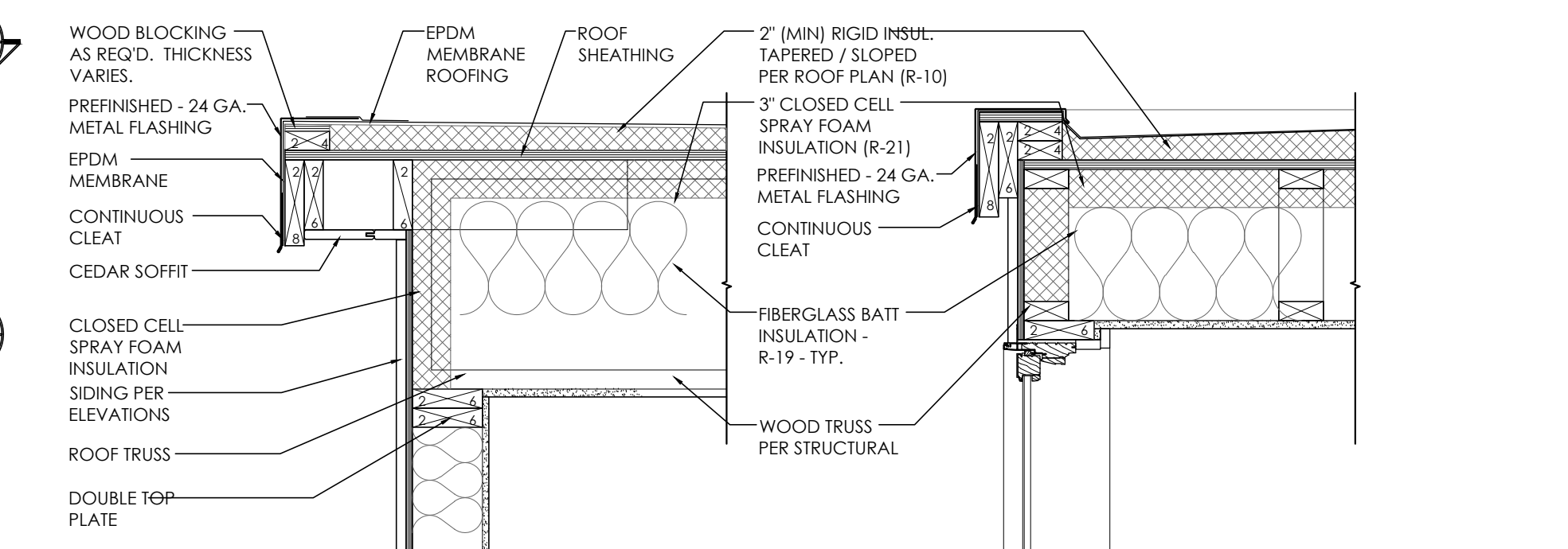
SHEET NUMBER:

A2.04



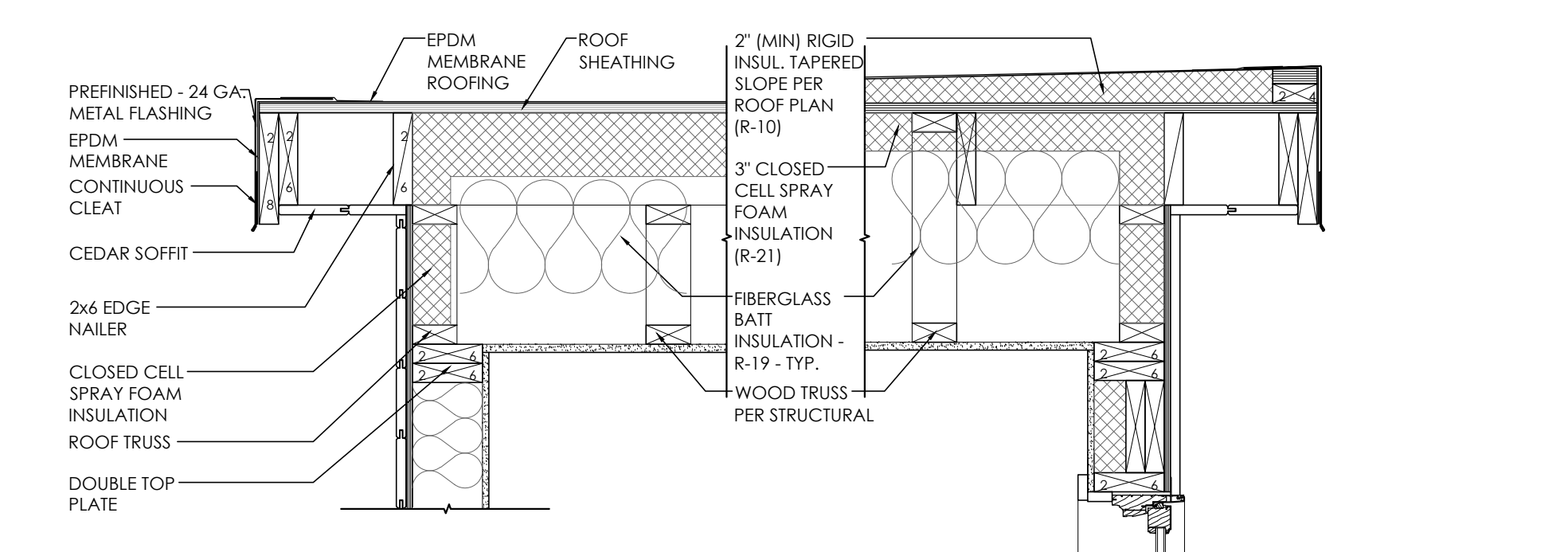
D1 ROOF EDGE DETAIL
SCALE: 1" = 1'-0"

D2 ROOF EDGE DETAIL
SCALE: 1" = 1'-0"



D3 ROOF EDGE DETAIL
SCALE: 1" = 1'-0"

D4 ROOF EDGE DETAIL
SCALE: 1" = 1'-0"



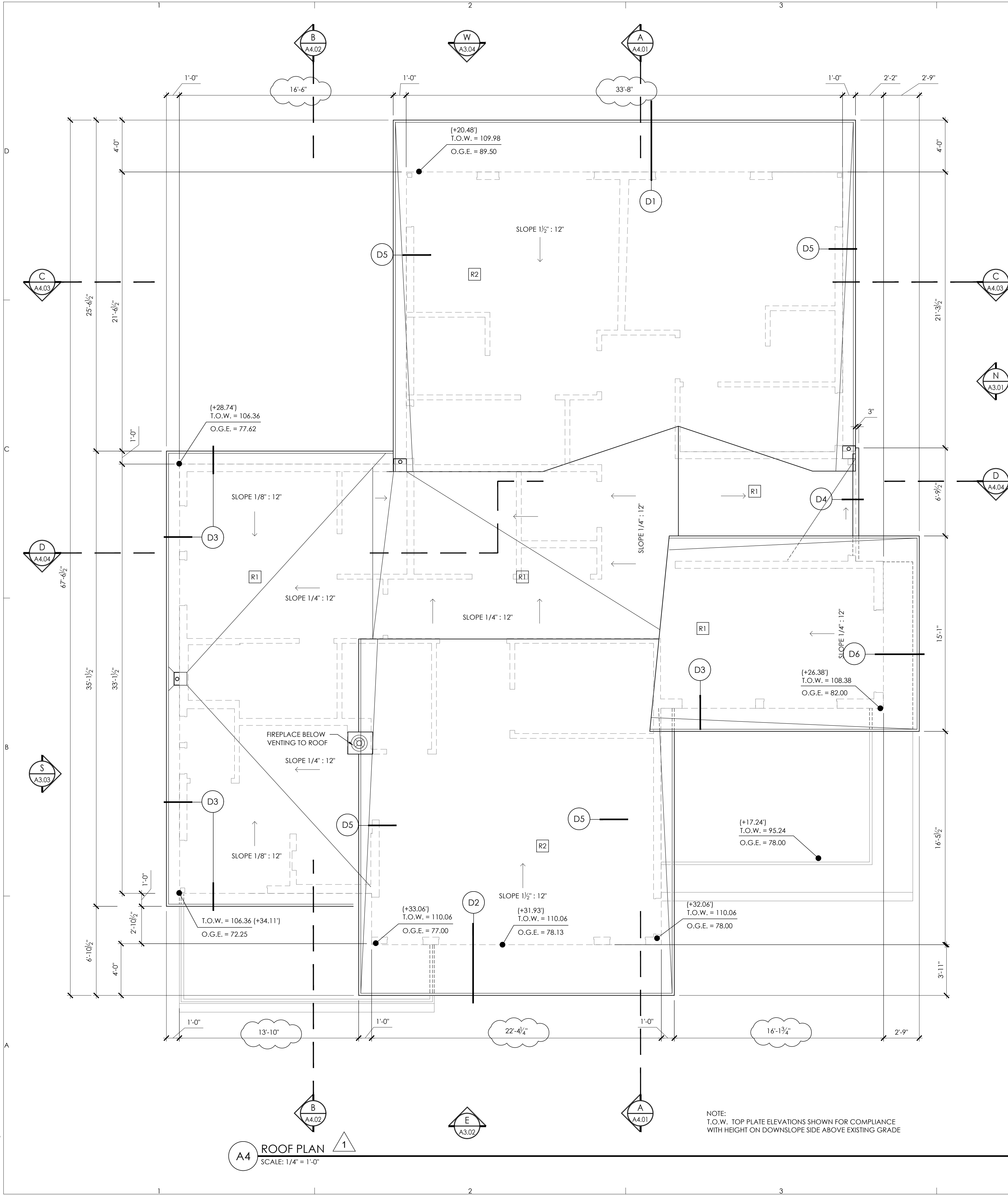
D5 ROOF EDGE DETAIL
SCALE: 1" = 1'-0"

D6 ROOF EDGE DETAIL
SCALE: 1" = 1'-0"

- R1** FLAT ROOF / ROOF DECK ASSEMBLY
3-PLY EPDM SELF-ADHERING MEMBRANE (SELF-ADHERING CAP SHT OVER SELF-ADHERING BASE SHT OVER MECHANICALLY-ADHERED BASE SHT) OVER TAPERED INSULATION (MIN. R-10 AT LOW POINT) OVER 2 LAYERS OF 30 LB. ROOFING FELTS OVER 3/4 PLYWOOD SHEATHING PER STRUCT. OVER 3" (R-21) SPRAY APPLIED CLOSED CELL INSULATION W/ VAPOR BARRIER TO UNDERSIDE OF DECKING R-19 FIBERGLASS BATT INSULATION (FOR TOTAL ASSEMBLY R-VALUE OF R-50) ROOF TRUSSES/FRAMING PER STRUCT. W/ 5/8 GYPSUM WALLBOARD & FINISH PER OWNER SELECTION
- R2** FLAT ROOF / ROOF DECK ASSEMBLY
3-PLY EPDM SELF-ADHERING MEMBRANE (SELF-ADHERING CAP SHT OVER SELF-ADHERING BASE SHT) OVER MECHANICALLY-ADHERED BASE SHT) OVER 3/4 PLYWOOD SHEATHING PER STRUCT. 5" (R-35) SPRAY APPLIED CLOSED CELL INSULATION W/ VAPOR BARRIER TO UNDERSIDE OF DECKING R-19 FIBERGLASS BATT INSULATION (FOR TOTAL ASSEMBLY R-VALUE OF R-54) ROOF TRUSSES/FRAMING PER STRUCT. W/ 5/8 GYPSUM WALLBOARD & FINISH PER OWNER SELECTION

ROOF NOTES

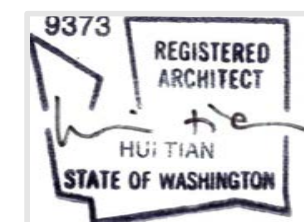
- ALL WATERPROOFING SHOWN IS FOR DESIGN INTENT ONLY. ALL ELEMENTS OF THE WATERPROOFING SYSTEMS, DETAILS OF INSTALLATION, AND COORDINATION WITH ADJACENT MATERIALS AND FINISHES IS THE RESPONSIBILITY OF THE DESIGN-BUILD SUBCONTRACTOR FOR SUCH SYSTEM(S).
 - UNVENTED ROOF ASSEMBLY PROPOSED. R-10 RIGID INSULATION ABOVE SHEATHING (WHERE APPLICABLE) WITH AIR-IMPERMEABLE SPRAY FOAM INSULATION BELOW.
 - ALL ROOF PENETRATIONS, SUCH AS VENT STACKS, ETC., TO BE GROUPED TOGETHER AND LOCATED AS FAR AWAY FROM THE ROOF EDGE AS POSSIBLE.
- WRITTEN DIMENSIONS ON THIS DRAWING SHALL HAVE PRECEDENCE OVER SCALED DIMENSIONS. CONTRACTOR SHALL VERIFY ALL DIMENSIONS, CONDITIONS, ETC. PERTAINING TO THE WORK BEFORE PROCEEDING. THE OWNER MUST BE NOTIFIED OF ANY VARIATIONS FROM THE DIMENSIONS AND/OR CONDITIONS SHOWN ON THESE DRAWINGS. ANY SUCH VARIATIONS SHALL BE RESOLVED BY THE OWNER PRIOR TO PROCEEDING WITH THE WORK, OR THE CONTRACTOR SHALL ACCEPT FULL RESPONSIBILITY FOR THE COST TO RECTIFY SAME.



A4 ROOF PLAN
SCALE: 1/4" = 1'-0"

CONSULTANT: _____

PROFESSIONAL SEAL: _____



PROJECT: _____

a project for:

 PO BOX 1733 AUBURN, WA 98071
 Phone: (206) 724-1072

EAST MERCER RESIDENCE

4634 EAST MERCER WAY
 MERCER ISLAND, WA 98040

SHEET ISSUE: _____

6/24/2015	PERMIT SUBMITTAL
8/29/2016	PERMIT APPROVED
6/05/2017	REVISION TO PERMIT

MARK	DATE	DESCRIPTION

MUNICIPALITY REVIEW: _____

PROJECT # MERCER ISLAND 15 - 015

SHEET TITLE: _____

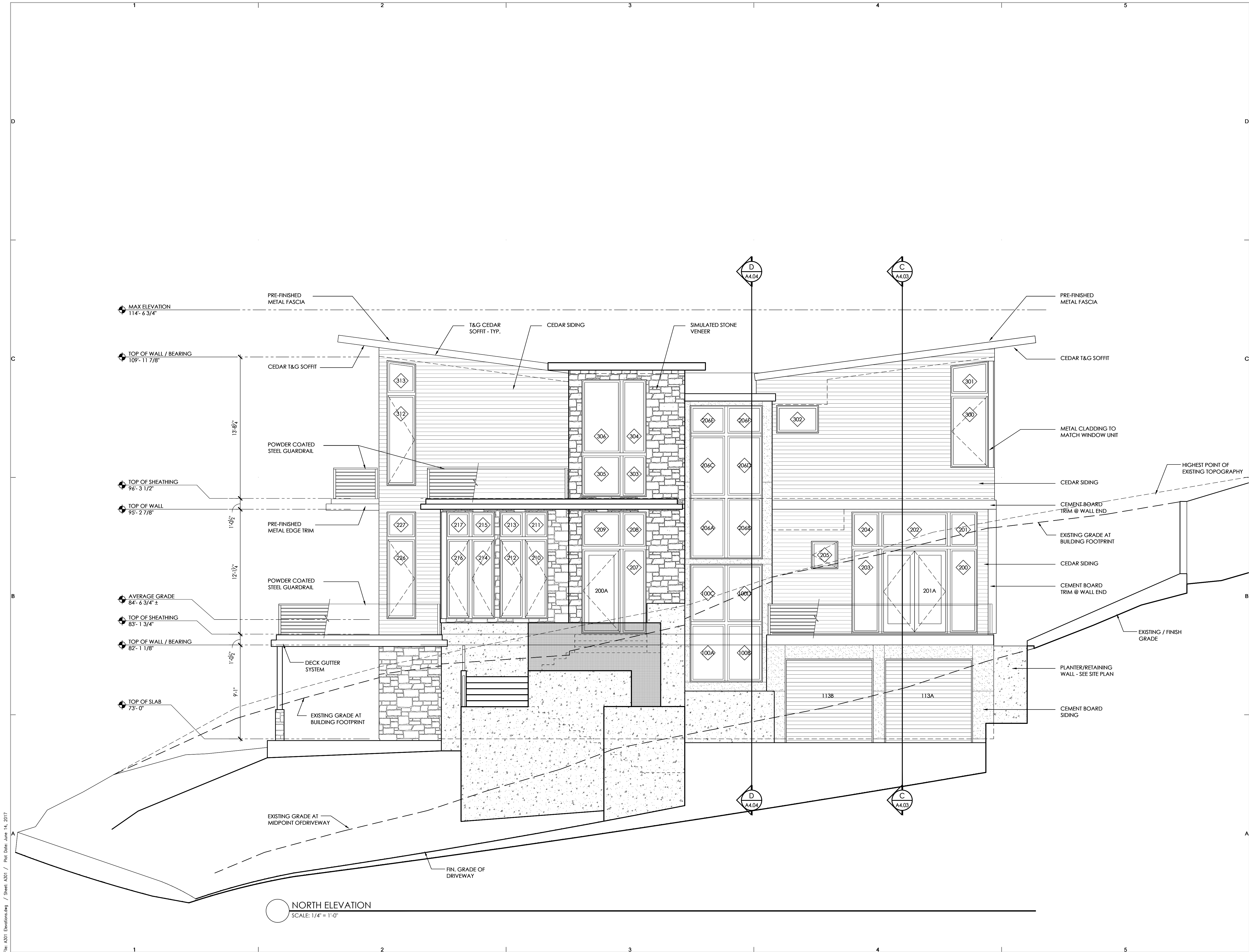
NORTH
 EXTERIOR ELEVATION

PROJECT NO.: 20140904

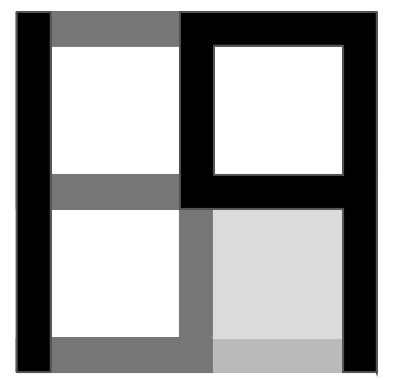
DATE ISSUED: 6/05/2017

SHEET NUMBER: _____

A3.01

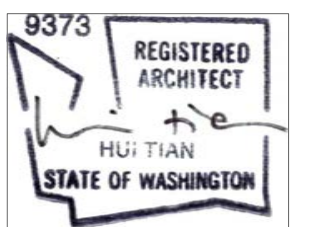


NORTH ELEVATION
 SCALE: 1/4" = 1'-0"



CONSULTANT:

PROFESSIONAL SEAL:



PROJECT:



EAST MERCER RESIDENCE

4634 EAST MERCER WAY
MERCER ISLAND, WA 98040

SHEET ISSUE:

6/24/2015	PERMIT SUBMITTAL
8/29/2016	PERMIT APPROVED
6/05/2017	REVISION TO PERMIT

MUNICIPALITY REVIEW:

PROJECT # MERCER ISLAND 15 - 015

SHEET TITLE:

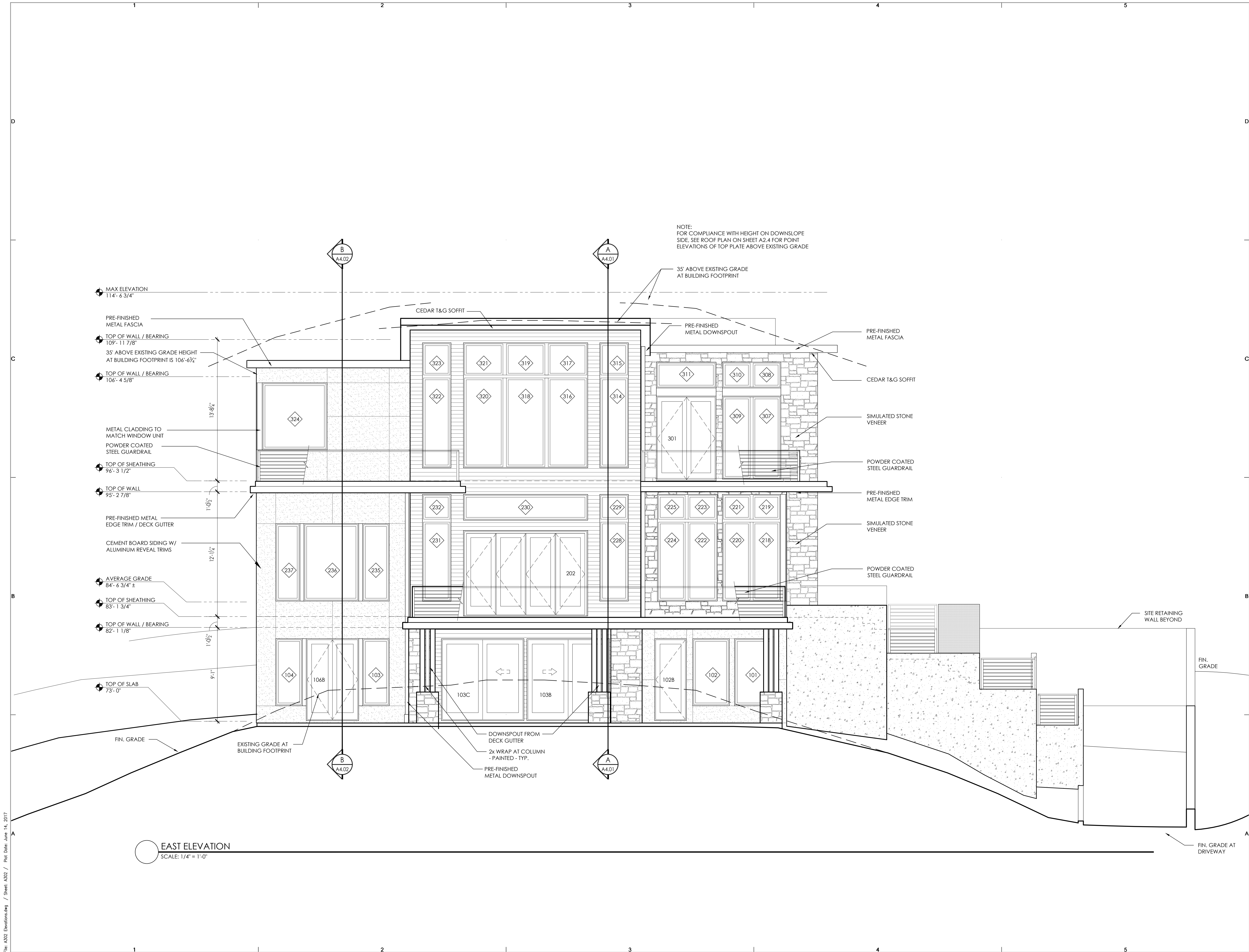
EAST
EXTERIOR ELEVATION

PROJECT NO.: 20140904

DATE ISSUED: 6/05/2017

SHEET NUMBER:

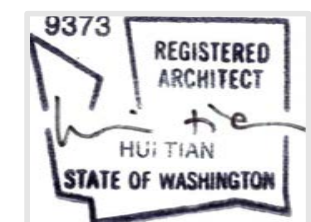
A3.02



EAST ELEVATION
SCALE: 1/4" = 1'-0"

CONSULTANT: _____

PROFESSIONAL SEAL: _____



PROJECT: _____

a project for:

 PO BOX 1733 AUBURN, WA 98071
 Phone: (206) 724-1072

EAST MERCER RESIDENCE

4634 EAST MERCER WAY
 MERCER ISLAND, WA 98040

SHEET ISSUE: _____

MARK	DATE	DESCRIPTION
	6/24/2015	PERMIT SUBMITTAL
	8/29/2016	PERMIT APPROVED
1	6/05/2017	REVISION TO PERMIT

MARK	DATE	DESCRIPTION

MUNICIPALITY REVIEW: _____

PROJECT # MERCER ISLAND 15 - 015

SHEET TITLE: _____

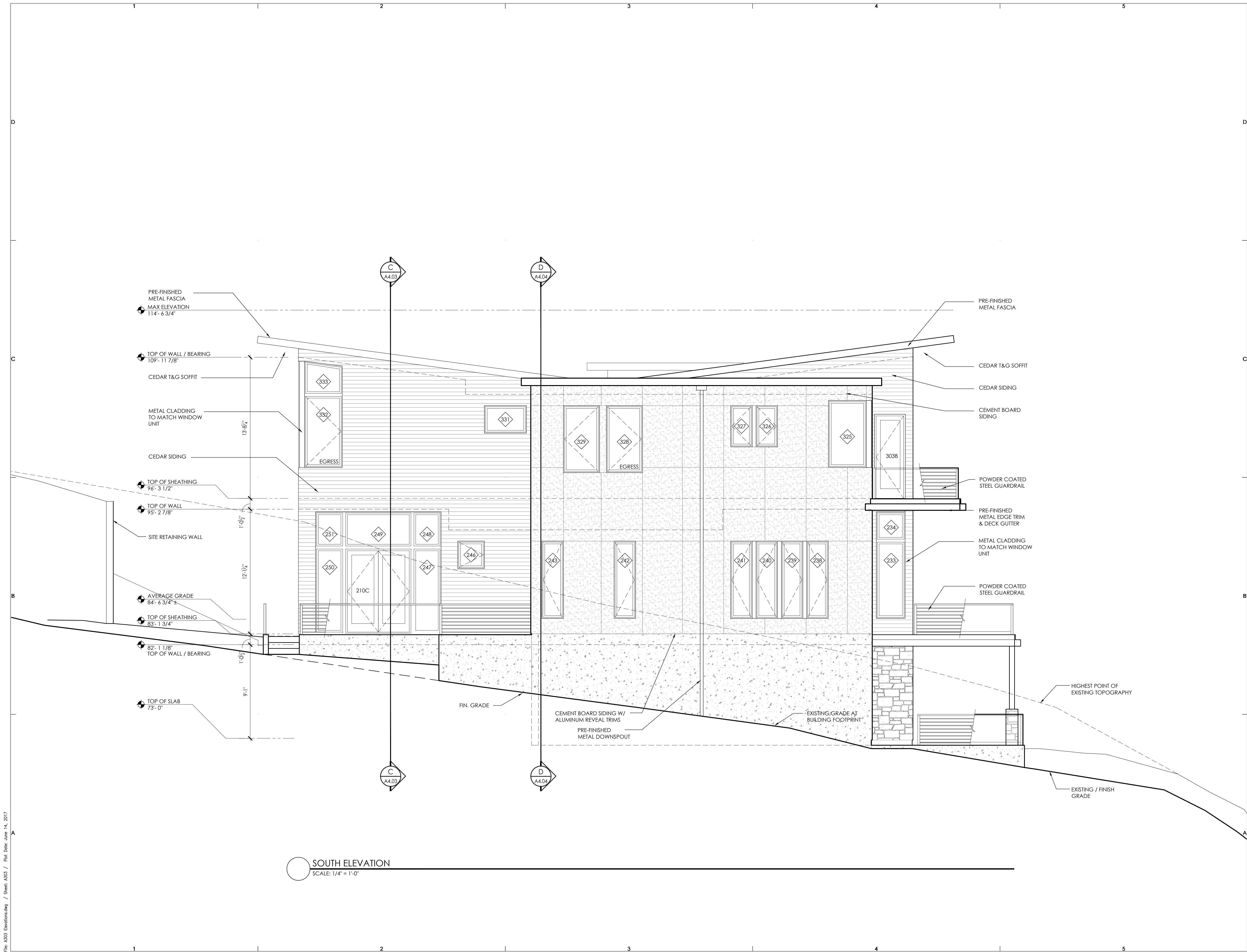
SOUTH
 EXTERIOR ELEVATION

PROJECT NO.: 20140904

DATE ISSUED: 6/05/2017

SHEET NUMBER: _____

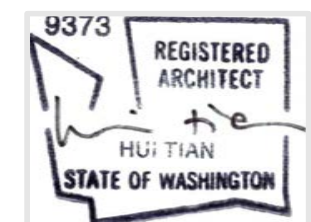
A3.03



SOUTH ELEVATION
 SCALE: 1/4" = 1'-0"

CONSULTANT: _____

PROFESSIONAL SEAL: _____



PROJECT: _____

a project for:

 PO BOX 1733 AUBURN, WA 98071
 Phone: (206) 724-1072

EAST MERCER RESIDENCE

4634 EAST MERCER WAY
 MERCER ISLAND, WA 98040

SHEET ISSUE: _____

6/24/2015	PERMIT SUBMITTAL
8/29/2016	PERMIT APPROVED
6/05/2017	REVISION TO PERMIT

MARK	DATE	DESCRIPTION

MUNICIPALITY REVIEW: _____

PROJECT # MERCER ISLAND 15 - 015

SHEET TITLE: _____

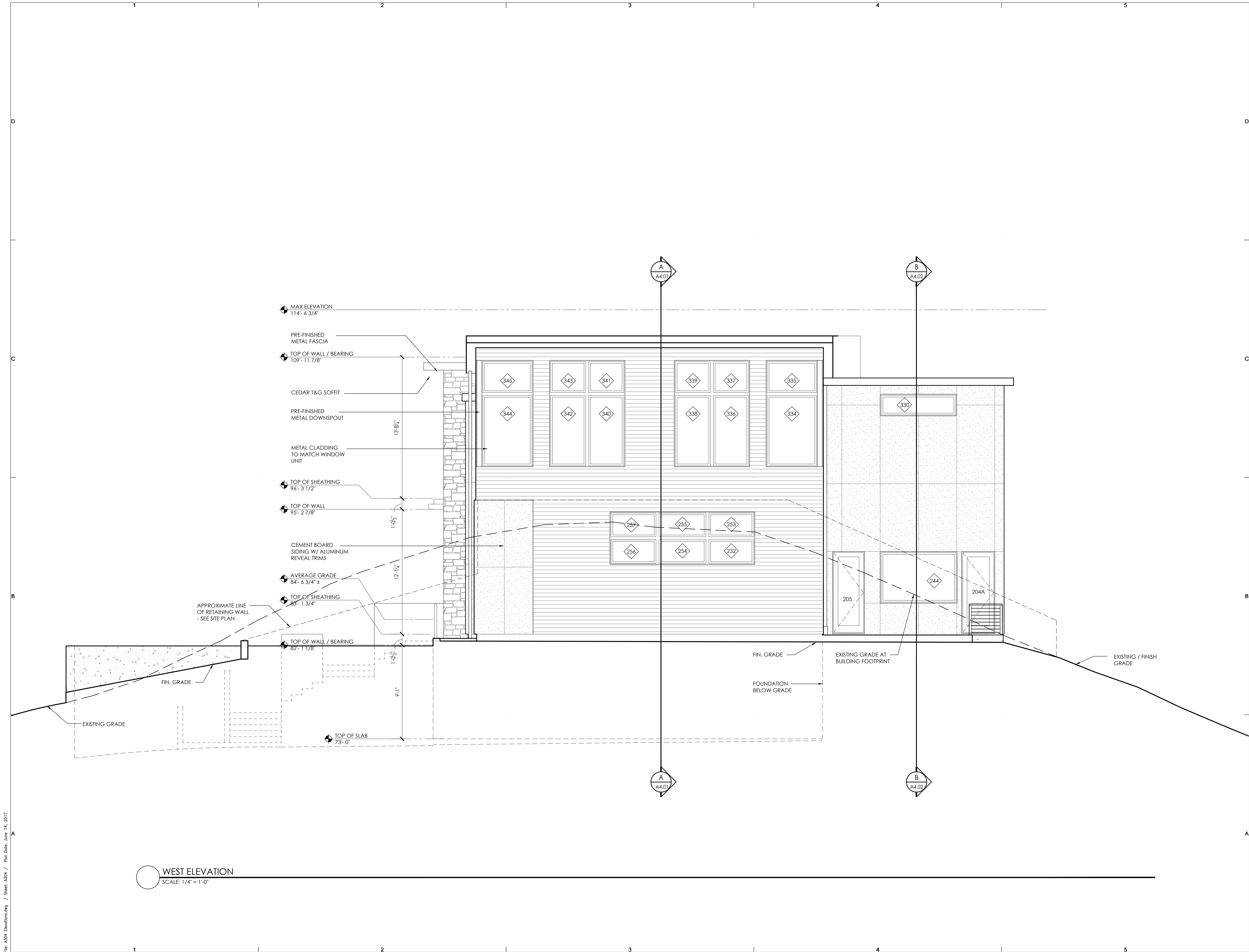
WEST
 EXTERIOR ELEVATION

PROJECT NO.: 20140904

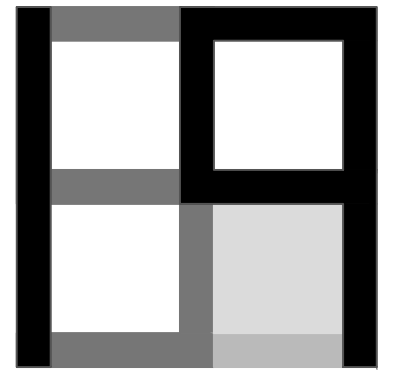
DATE ISSUED: 6/05/2017

SHEET NUMBER: _____

A3.04



WEST ELEVATION
 SCALE: 1/4" = 1'-0"



GENERAL NOTES

- HANDRAIL 34"-38" ABOVE TREAD NOSING. STYLE & CONFIGURATION PER OWNER SELECTION. TBD.
- HANDRAIL GRASPING DIMENSION 1-1/4" MINIMUM - 2" MAXIMUM.
- DECKS, PORCHES, BALCONIES, RAMPS OR RAISED FLOOR SURFACES LOCATED MORE THAN 30 INCHES ABOVE THE FLOOR OR GROUND BELOW SHALL HAVE GUARDRAILS NOT LESS THAN 36 INCHES IN HEIGHT. STYLE & CONFIGURATION PER OWNER SELECTION. TBD.

R1 FLAT ROOF / ROOF DECK ASSEMBLY
3-PLY EPDM SELF-ADHERING MEMBRANE
(SELF-ADHERING CAP SHT OVER
SELF-ADHERING BASE SHT OVER
MECHANICALLY-ADHERED BASE SHT) OVER
TAPERED INSULATION (MIN. R-10 AT LOW POINT) OVER
2 LAYERS OF 30 LB. ROOFING FELTS OVER
3/4 PLYWOOD SHEATHING PER STRUCT. OVER
3" (R-21) SPRAY APPLIED CLOSED CELL INSULATION
W/ VAPOR BARRIER TO UNDERSIDE OF DECKING
R-19 FIBERGLASS BATT INSULATION
(FOR TOTAL ASSEMBLY R-VALUE OF R-50)
ROOF TRUSSES/FRAMING PER STRUCT. W/
5/8 GYPSUM WALLBOARD &
FINISH PER OWNER SELECTION

R2 FLAT ROOF / ROOF DECK ASSEMBLY
3-PLY EPDM SELF-ADHERING MEMBRANE
(SELF-ADHERING CAP SHT OVER
SELF-ADHERING BASE SHT OVER
MECHANICALLY-ADHERED BASE SHT)
3/4 PLYWOOD SHEATHING PER STRUCT.
5" (R-35) SPRAY APPLIED CLOSED CELL INSULATION
W/ VAPOR BARRIER TO UNDERSIDE OF DECKING
R-19 FIBERGLASS BATT INSULATION
(FOR TOTAL ASSEMBLY R-VALUE OF R-54)
ROOF TRUSSES/FRAMING PER STRUCT. W/
5/8 GYPSUM WALLBOARD &
FINISH PER OWNER SELECTION

F1 TYPICAL WOOD FINISH OVER SLAB ON GRADE:
WOOD FINISH PER INTERIORS
REINFORCED CONCRETE SLAB PER STRUCT.
WITH IN-SLAB HYDRONIC HEATING SYSTEM.
W/ THERMAL EXPANSION JOINTS AT WALL
6 MIL VISQUEEN (MIN) VAPOR BARRIER
R-10 RIGID FOAM INSULATION
6" MINIMUM COMPACTED GRAVEL BASE OVER
UNDISTURBED SOIL

F2 TYPICAL GARAGE FLOOR ASSEMBLY
CONCRETE SEALER
REINFORCED CONCRETE SLAB PER STRUCT.,
SLOPED TO DRAIN (1/4" PER FT.),
6 MIL POLY VAPOR BARRIER OVER
6" MINIMUM COMPACTED STRUCT. FILL
UNDISTURBED SOIL.

F3 TYPICAL FLOOR ASSEMBLY OVER UNHEATED EXTERIOR SPACE
FLOOR FINISH PER INTERIORS
1-1/8" T&G 'WARMBOARD' SUBFLOOR FLOOR SHEATHING
(GLUED & SCREWED) WITH HYDRONIC HEATING SYSTEM
FLOOR FRAMING PER STRUCTURAL
R30 FIBERGLASS BATT INSULATION
6 MIL VISQUEEN VAPOR BARRIER
EXTERIOR T&G CEDAR SOFFIT MATERIAL
(SMOOTH FACE EXPOSED)

F4 TYPICAL FLOOR ASSEMBLY OVER HEATED SPACE
FLOOR FINISH PER INTERIORS
1-1/8" T&G 'WARMBOARD' SUBFLOOR FLOOR SHEATHING
(GLUED & SCREWED) WITH HYDRONIC HEATING SYSTEM
FLOOR FRAMING PER STRUCTURAL
(2X DROP CEILING /SOFFIT FRAMING AS INDICATED/APPLICABLE)
5/8" GYPSUM WALLBOARD
VAPOR BARRIER PVC PRIMER
FINISH PER OWNER SELECTION

F5 TYPICAL FLOOR ASSEMBLY OVER GARAGE
FLOOR FINISH PER INTERIORS
1-1/8" T&G 'WARMBOARD' SUBFLOOR FLOOR SHEATHING
(GLUED & SCREWED) WITH HYDRONIC HEATING SYSTEM
FLOOR FRAMING PER STRUCTURAL
R30 FIBERGLASS BATT INSULATION
6 MIL VISQUEEN VAPOR BARRIER
5/8" TYPE X" GWB
VAPOR BARRIER PVC PRIMER
FINISH PER OWNER SELECTION

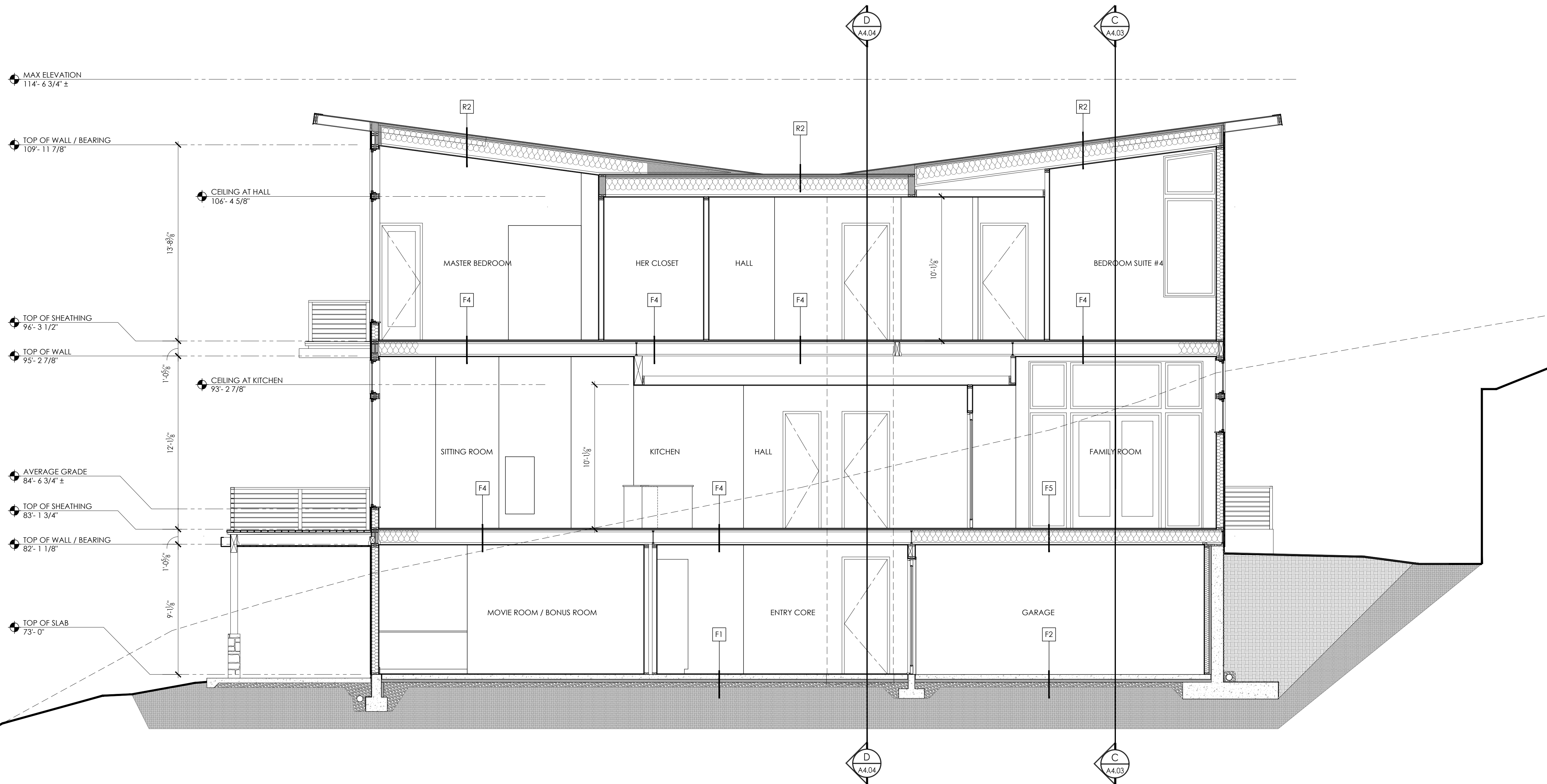
F6 TILE FLOOR ASSEMBLY:
TILE (TBD)
THINSET
UNDERLAYMENT/ISOLATION MAT
TYPICAL FLOOR ASSEMBLY

F7 COMPOSITE WOOD DECKING OVER WATERPROOF DECK
ASSEMBLY:
DECKING PER OWNER SELECTION
"DRYJOIST" PVC STRUCTURAL DECK DRAINAGE SYSTEM
DECK FRAMING PER STRUCTURAL
2X SOFFIT FURRING STRIPS
3/8" BEVELED SOFFIT BOARDS (SMOOTH FACE EXPOSED) W/
CONTINUOUS STRIP VENTING

S1 TYPICAL DRIVEWAY ASSEMBLY
REINFORCED CONCRETE SLAB PER STRUCT.,
SLOPED TO DRAIN (1/4" PER FT.),
STAINED & SCORED, OVER
6" MINIMUM COMPACTED STRUCT. FILL OVER
UNDISTURBED SOIL.

S2 TYPICAL CONCRETE SIDEWALK/STAIR ASSEMBLY
REINFORCED CONCRETE SLAB / STEPS PER STRUCT.,
SLOPED TO DRAIN (1/4" PER FT.),
STAINED & SCORED, OVER
6" MINIMUM COMPACTED STRUCT. FILL OVER
UNDISTURBED SOIL.

F8 PATIO PAVERS OVER PIT SET PEDESTAL SYSTEM:
PAVERS PER OWNER SELECTION
LEVELING PEDESTALS
CONCRETE SEALER
REINFORCED 4" CONCRETE SLAB (SLOPE TO DRAIN 1/4" PER FOOT TO
TRENCH DRAIN)
6" MINIMUM COMPACTED SAND BASE OVER
UNDISTURBED SOIL.



A BUILDING SECTION 'A'
SCALE: 1/4" = 1'-0"

CONSULTANT: _____

PROFESSIONAL SEAL: _____



PROJECT: _____

a project for:
Barcelo homes
PO BOX 1733 AUBURN, WA 98071
Phone: (206) 724-1072

EAST MERCER RESIDENCE

4634 EAST MERCER WAY
MERCER ISLAND, WA 98040

SHEET ISSUE: _____

6/24/2015	PERMIT SUBMITTAL
8/19/2016	EXPRESS SUBMITTAL #5

MARK	DATE	DESCRIPTION

MUNICIPALITY REVIEW: _____

PROJECT # MERCER ISLAND 15 - 015

SHEET TITLE: _____

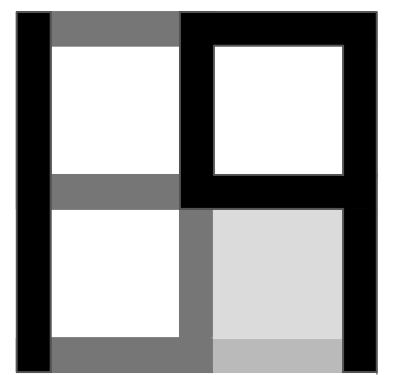
BUILDING SECTION 'A'

PROJECT NO.: 20140904

DATE ISSUED: 6/05/2017

SHEET NUMBER: _____

A4.01



GENERAL NOTES

- HANDRAIL 34" 38" ABOVE TREAD NOSING. STYLE & CONFIGURATION PER OWNER SELECTION. TBD.
- HANDRAIL GRASPING DIMENSION 1-1/4" MINIMUM - 2" MAXIMUM.
- DECKS, PORCHES, BALCONIES, RAMPS OR RAISED FLOOR SURFACES LOCATED MORE THAN 30 INCHES ABOVE THE FLOOR OR GROUND BELOW SHALL HAVE GUARDRAILS NOT LESS THAN 36 INCHES IN HEIGHT. STYLE & CONFIGURATION PER OWNER SELECTION. TBD.

R1 FLAT ROOF / ROOF DECK ASSEMBLY
3-PLY EPDM SELF-ADHERING MEMBRANE
(SELF-ADHERING CAP SHT OVER
SELF-ADHERING BASE SHT OVER
MECHANICALLY-ADHERED BASE SHT) OVER
TAPERED INSULATION (MIN. R-10 AT LOW POINT) OVER
2 LAYERS OF 30 LB. ROOFING FELTS OVER
3/4 PLYWOOD SHEATHING PER STRUCT. OVER
3" (R-21) SPRAY APPLIED CLOSED CELL INSULATION
W/ VAPOR BARRIER TO UNDERSIDE OF DECKING
R-19 FIBERGLASS BATT INSULATION
(FOR TOTAL ASSEMBLY R-VALUE OF R-50)
ROOF TRUSSES/FRAMING PER STRUCT. W/
5/8 GYPSUM WALLBOARD &
FINISH PER OWNER SELECTION

R2 FLAT ROOF / ROOF DECK ASSEMBLY
3-PLY EPDM SELF-ADHERING MEMBRANE
(SELF-ADHERING CAP SHT OVER
SELF-ADHERING BASE SHT OVER
MECHANICALLY-ADHERED BASE SHT)
3/4 PLYWOOD SHEATHING PER STRUCT.
5" (R-35) SPRAY APPLIED CLOSED CELL INSULATION
W/ VAPOR BARRIER TO UNDERSIDE OF DECKING
R-19 FIBERGLASS BATT INSULATION
(FOR TOTAL ASSEMBLY R-VALUE OF R-54)
ROOF TRUSSES/FRAMING PER STRUCT. W/
5/8 GYPSUM WALLBOARD &
FINISH PER OWNER SELECTION

F1 TYPICAL WOOD FINISH OVER SLAB ON GRADE:
WOOD FINISH PER INTERIORS
REINFORCED CONCRETE SLAB PER STRUCT.
WITH IN-SLAB HYDRONIC HEATING SYSTEM.
W/ THERMAL EXPANSION JOINTS AT WALL
6 MIL VISQUEEN (MIN) VAPOR BARRIER
R-10 RIGID FOAM INSULATION
6" MINIMUM COMPACTED GRAVEL BASE OVER
UNDISTURBED SOIL

F2 TYPICAL GARAGE FLOOR ASSEMBLY
CONCRETE SEALER
REINFORCED CONCRETE SLAB PER STRUCT.,
SLOPED TO DRAIN (1/4" PER FT.),
6 MIL POLY VAPOR BARRIER OVER
6" MINIMUM COMPACTED STRUCT. FILL
UNDISTURBED SOIL.

F3 TYPICAL FLOOR ASSEMBLY OVER UNHEATED EXTERIOR SPACE
FLOOR FINISH PER INTERIORS
1-1/8" T&G 'WARMBOARD' SUBFLOOR FLOOR SHEATHING
(GLUED & SCREWED) WITH HYDRONIC HEATING SYSTEM
FLOOR FRAMING PER STRUCTURAL
R30 FIBERGLASS BATT INSULATION
6 MIL VISQUEEN VAPOR BARRIER
EXTERIOR T&G CEDAR SOFFIT MATERIAL
(SMOOTH FACE EXPOSED)

F4 TYPICAL FLOOR ASSEMBLY OVER HEATED SPACE
FLOOR FINISH PER INTERIORS
1-1/8" T&G 'WARMBOARD' SUBFLOOR FLOOR SHEATHING
(GLUED & SCREWED) WITH HYDRONIC HEATING SYSTEM
FLOOR FRAMING PER STRUCTURAL
(2X DROP CEILING /SOFFIT FRAMING AS INDICATED/APPLICABLE)
5/8" GYPSUM WALLBOARD
VAPOR BARRIER PVC PRIMER
FINISH PER OWNER SELECTION

F5 TYPICAL FLOOR ASSEMBLY OVER GARAGE
FLOOR FINISH PER INTERIORS
1-1/8" T&G 'WARMBOARD' SUBFLOOR FLOOR SHEATHING
(GLUED & SCREWED) WITH HYDRONIC HEATING SYSTEM
FLOOR FRAMING PER STRUCTURAL
R30 FIBERGLASS BATT INSULATION
6 MIL VISQUEEN VAPOR BARRIER
5/8" TYPE X" GWB
VAPOR BARRIER PVC PRIMER
FINISH PER OWNER SELECTION

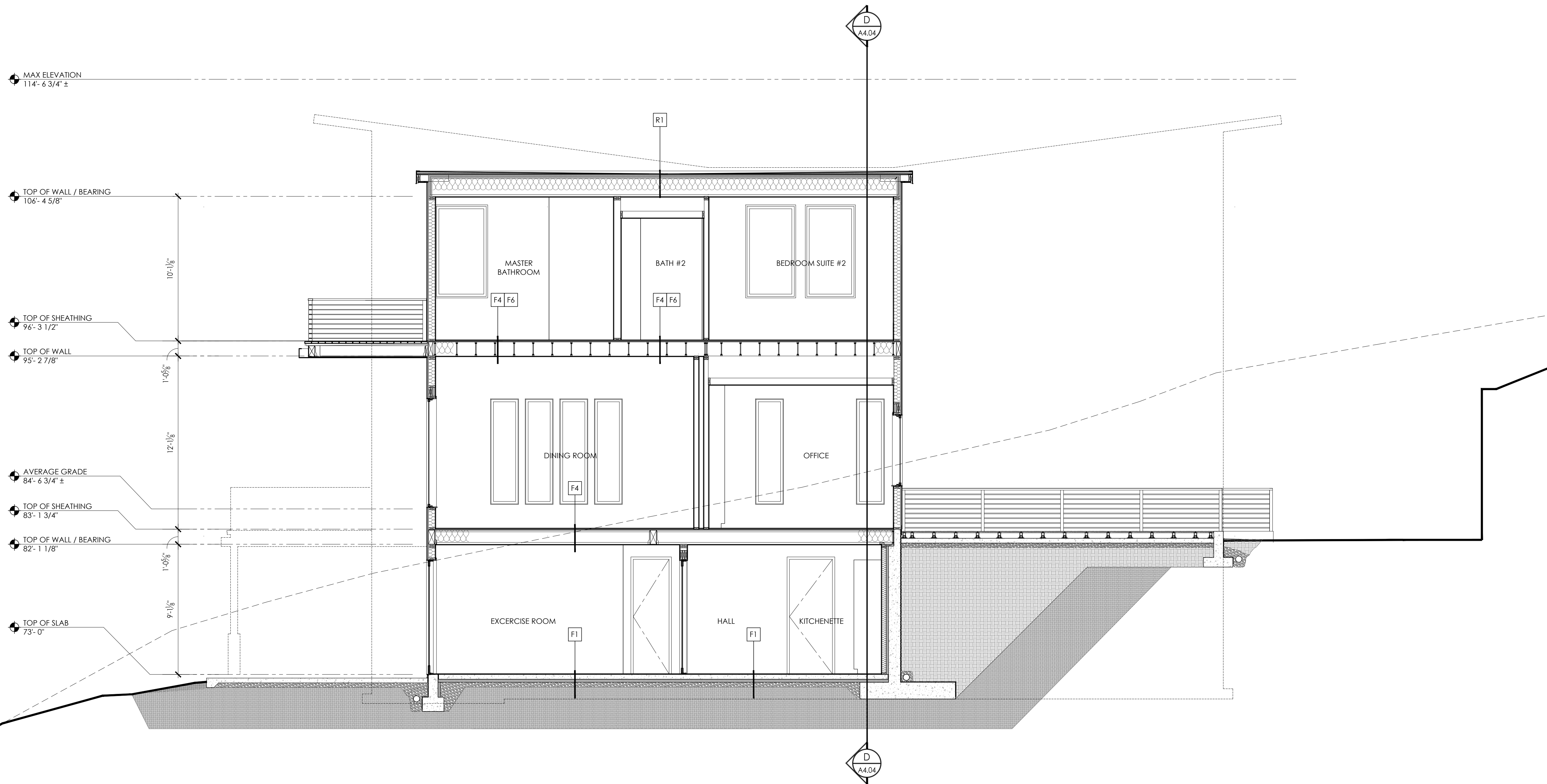
F6 TILE FLOOR ASSEMBLY:
TILE (TBD)
THINSET
UNDERLAYMENT/ISOLATION MAT
TYPICAL FLOOR ASSEMBLY

F7 COMPOSITE WOOD DECKING OVER WATERPROOF DECK
ASSEMBLY:
DECKING PER OWNER SELECTION
"DRYJOIST" PVC STRUCTURAL DECK DRAINAGE SYSTEM
DECK FRAMING PER STRUCTURAL
2X SOFFIT FURRING STRIPS
3/8" BEVELED SOFFIT BOARDS (SMOOTH FACE EXPOSED) W/
CONTINUOUS STRIP VENTING

S1 TYPICAL DRIVEWAY ASSEMBLY
REINFORCED CONCRETE SLAB PER STRUCT.,
SLOPED TO DRAIN (1/4" PER FT.),
STAINED & SCORED, OVER
6" MINIMUM COMPACTED STRUCT. FILL OVER
UNDISTURBED SOIL.

S2 TYPICAL CONCRETE SIDEWALK/STAIR ASSEMBLY
REINFORCED CONCRETE SLAB / STEPS PER STRUCT.,
SLOPED TO DRAIN (1/4" PER FT.),
STAINED & SCORED, OVER
6" MINIMUM COMPACTED STRUCT. FILL OVER
UNDISTURBED SOIL.

F8 PATIO PAVERS OVER PIT SET PEDESTAL SYSTEM:
PAVERS PER OWNER SELECTION
LEVELING PEDESTALS
CONCRETE SEALER
REINFORCED 4" CONCRETE SLAB (SLOPE TO DRAIN 1/4" PER FOOT TO
TRENCH DRAIN)
6" MINIMUM COMPACTED SAND BASE OVER
UNDISTURBED SOIL.



B BUILDING SECTION 'B'
SCALE: 1/4" = 1'-0"

CONSULTANT: _____

PROFESSIONAL SEAL: _____



PROJECT: _____

a project for:
Barcelo homes
PO BOX 1733 AUBURN, WA 98071
Phone: (206) 724-1072

EAST MERCER RESIDENCE

4634 EAST MERCER WAY
MERCER ISLAND, WA 98040

SHEET ISSUE:

6/24/2015	PERMIT SUBMITTAL
8/29/2016	PERMIT APPROVED

MARK	DATE	DESCRIPTION

MUNICIPALITY REVIEW:

PROJECT # MERCER ISLAND 15 - 015

SHEET TITLE:

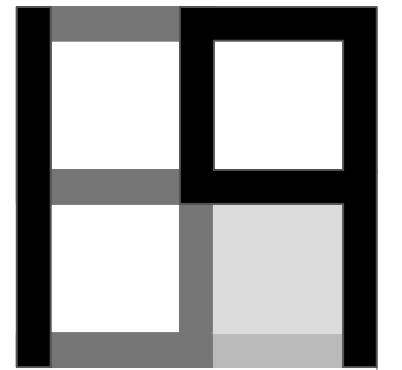
BUILDING SECTION 'B'

PROJECT NO.: 20140904

DATE ISSUED: 6/05/2017

SHEET NUMBER: _____

A4.02



GENERAL NOTES

- HANDRAIL 34" 38" ABOVE TREAD NOSING. STYLE & CONFIGURATION PER OWNER SELECTION. TBD.
- HANDRAIL GRASPING DIMENSION 1-1/4" MINIMUM - 2" MAXIMUM.
- DECKS, PORCHES, BALCONIES, RAMPS OR RAISED FLOOR SURFACES LOCATED MORE THAN 30 INCHES ABOVE THE FLOOR OR GROUND BELOW SHALL HAVE GUARDRAILS NOT LESS THAN 36 INCHES IN HEIGHT. STYLE & CONFIGURATION PER OWNER SELECTION. TBD.

R1 FLAT ROOF / ROOF DECK ASSEMBLY
3-PLY EPDM SELF-ADHERING MEMBRANE (SELF-ADHERING CAP SHT OVER SELF-ADHERING BASE SHT OVER MECHANICALLY-ADHERED BASE SHT) OVER TAPERED INSULATION (MIN. R-10 AT LOW POINT) OVER 2 LAYERS OF 30 LB. ROOFING FELTS OVER 3/4 PLYWOOD SHEATHING PER STRUCT. OVER 3" (R-21) SPRAY APPLIED CLOSED CELL INSULATION W/ VAPOR BARRIER TO UNDERSIDE OF DECKING R-19 FIBERGLASS BATT INSULATION (FOR TOTAL ASSEMBLY R-VALUE OF R-50) ROOF TRUSSES/FRAMING PER STRUCT. W/ 5/8 GYPSUM WALLBOARD & FINISH PER OWNER SELECTION

R2 FLAT ROOF / ROOF DECK ASSEMBLY
3-PLY EPDM SELF-ADHERING MEMBRANE (SELF-ADHERING CAP SHT OVER SELF-ADHERING BASE SHT OVER MECHANICALLY-ADHERED BASE SHT) OVER 3/4 PLYWOOD SHEATHING PER STRUCT. 5" (R-35) SPRAY APPLIED CLOSED CELL INSULATION W/ VAPOR BARRIER TO UNDERSIDE OF DECKING R-19 FIBERGLASS BATT INSULATION (FOR TOTAL ASSEMBLY R-VALUE OF R-54) ROOF TRUSSES/FRAMING PER STRUCT. W/ 5/8 GYPSUM WALLBOARD & FINISH PER OWNER SELECTION

F1 TYPICAL WOOD FINISH OVER SLAB ON GRADE:
WOOD FINISH PER INTERIORS
REINFORCED CONCRETE SLAB PER STRUCT WITH IN-SLAB HYDRONIC HEATING SYSTEM. W/ THERMAL EXPANSION JOINTS AT WALL 6 MIL VISQUEEN (MIN) VAPOR BARRIER R-10 RIGID FOAM INSULATION 6" MINIMUM COMPACTED GRAVEL BASE OVER UNDISTURBED SOIL

F2 TYPICAL GARAGE FLOOR ASSEMBLY
CONCRETE SEALER
REINFORCED CONCRETE SLAB PER STRUCT., SLOPED TO DRAIN (1/4" PER FT.), 6 MIL POLY VAPOR BARRIER OVER 6" MINIMUM COMPACTED STRUCT. FILL UNDISTURBED SOIL.

F3 TYPICAL FLOOR ASSEMBLY OVER UNHEATED EXTERIOR SPACE
FLOOR FINISH PER INTERIORS
1-1/8" T&G 'WARMBOARD' SUBFLOOR FLOOR SHEATHING (GLUED & SCREWED) WITH HYDRONIC HEATING SYSTEM FLOOR FRAMING PER STRUCTURAL R30 FIBERGLASS BATT INSULATION 6 MIL VISQUEEN VAPOR BARRIER EXTERIOR T&G CEDAR SOFFIT MATERIAL (SMOOTH FACE EXPOSED)

F4 TYPICAL FLOOR ASSEMBLY OVER HEATED SPACE
FLOOR FINISH PER INTERIORS
1-1/8" T&G 'WARMBOARD' SUBFLOOR FLOOR SHEATHING (GLUED & SCREWED) WITH HYDRONIC HEATING SYSTEM FLOOR FRAMING PER STRUCTURAL (2X DROP CEILING /SOFFIT FRAMING AS INDICATED/APPLICABLE) 5/8" GYPSUM WALLBOARD VAPOR BARRIER PVC PRIMER FINISH PER OWNER SELECTION

F5 TYPICAL FLOOR ASSEMBLY OVER GARAGE
FLOOR FINISH PER INTERIORS
1-1/8" T&G 'WARMBOARD' SUBFLOOR FLOOR SHEATHING (GLUED & SCREWED) WITH HYDRONIC HEATING SYSTEM FLOOR FRAMING PER STRUCTURAL R30 FIBERGLASS BATT INSULATION 6 MIL VISQUEEN VAPOR BARRIER 5/8" TYPE X' GWB VAPOR BARRIER PVC PRIMER FINISH PER OWNER SELECTION

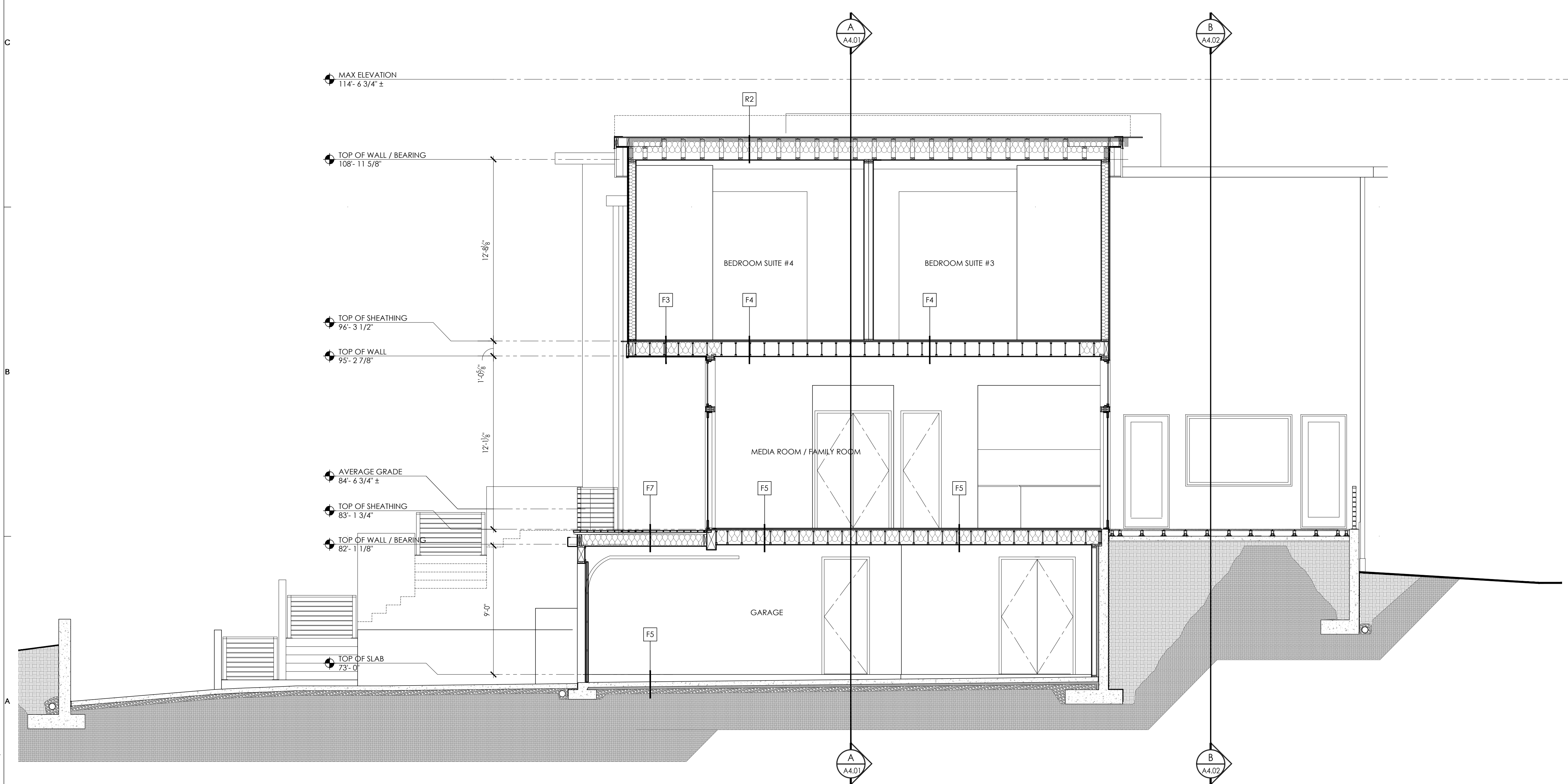
F6 TILE FLOOR ASSEMBLY:
TILE (TBD)
THINSET UNDERLAYMENT/ISOLATION MAT TYPICAL FLOOR ASSEMBLY

F7 COMPOSITE WOOD DECKING OVER WATERPROOF DECK ASSEMBLY:
DECKING PER OWNER SELECTION
'DRYJOIST' PVC STRUCTURAL DECK DRAINAGE SYSTEM DECK FRAMING PER STRUCTURAL 2X SOFFIT FURRING STRIPS 3/8" BEVELED SOFFIT BOARDS (SMOOTH FACE EXPOSED) W/ CONTINUOUS STRIP VENTING

S1 TYPICAL DRIVEWAY ASSEMBLY
REINFORCED CONCRETE SLAB PER STRUCT., SLOPED TO DRAIN (1/4" PER FT.), STAINED & SCORED, OVER 6" MINIMUM COMPACTED STRUCT. FILL OVER UNDISTURBED SOIL.

S2 TYPICAL CONCRETE SIDEWALK/STAIR ASSEMBLY
REINFORCED CONCRETE SLAB / STEPS PER STRUCT., SLOPED TO DRAIN (1/4" PER FT.), STAINED & SCORED, OVER 6" MINIMUM COMPACTED STRUCT. FILL OVER UNDISTURBED SOIL.

F8 PATIO PAVERS OVER PIT SET PEDESTAL SYSTEM:
PAVERS PER OWNER SELECTION
LEVELING PEDESTALS CONCRETE SEALER REINFORCED 4" CONCRETE SLAB (SLOPE TO DRAIN 1/4" PER FOOT TO TRENCH DRAIN) 6" MINIMUM COMPACTED SAND BASE OVER UNDISTURBED SOIL.



C BUILDING SECTION 'C'
SCALE: 1/4" = 1'-0"

CONSULTANT: _____

PROFESSIONAL SEAL: _____



PROJECT: _____

a project for:
Barcelo homes
PO BOX 1733 AUBURN, WA 98071
Phone: (206) 724-1072

EAST MERCER RESIDENCE

4634 EAST MERCER WAY
MERCER ISLAND, WA 98040

SHEET ISSUE:

6/24/2015	PERMIT SUBMITTAL
8/29/2016	PERMIT APPROVED
6/05/2017	REVISION TO PERMIT

MUNICIPALITY REVIEW:

PROJECT # MERCER ISLAND 15 - 015

SHEET TITLE:

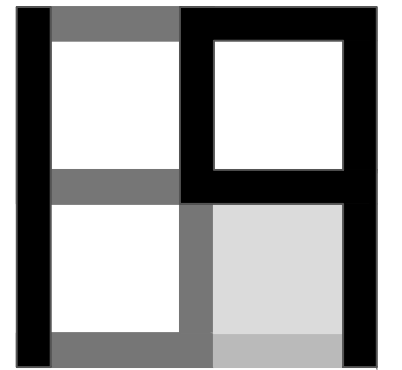
BUILDING SECTION 'C'

PROJECT NO.: 20140904

DATE ISSUED: 6/05/2017

SHEET NUMBER:

A4.03



GENERAL NOTES

- HANDRAIL 34" 38" ABOVE TREAD NOSING. STYLE & CONFIGURATION PER OWNER SELECTION. TBD.
- HANDRAIL GRASPING DIMENSION 1-1/4" MINIMUM - 2" MAXIMUM.
- DECKS, PORCHES, BALCONIES, RAMPS OR RAISED FLOOR SURFACES LOCATED MORE THAN 30 INCHES ABOVE THE FLOOR OR GROUND BELOW SHALL HAVE GUARDRAILS NOT LESS THAN 36 INCHES IN HEIGHT. STYLE & CONFIGURATION PER OWNER SELECTION. TBD.

R1 FLAT ROOF / ROOF DECK ASSEMBLY
3-PLY EPDM SELF-ADHERING MEMBRANE
(SELF-ADHERING CAP SHT OVER
SELF-ADHERING BASE SHT OVER
MECHANICALLY-ADHERED BASE SHT) OVER
TAPERED INSULATION (MIN. R-10 AT LOW POINT) OVER
2 LAYERS OF 30 LB. ROOFING FELTS OVER
3/4 PLYWOOD SHEATHING PER STRUCT. OVER
3" (R-21) SPRAY APPLIED CLOSED CELL INSULATION
W/ VAPOR BARRIER TO UNDERSIDE OF DECKING
R-19 FIBERGLASS BATT INSULATION
(FOR TOTAL ASSEMBLY R-VALUE OF R-50)
ROOF TRUSSES/FRAMING PER STRUCT. W/
5/8 GYPSUM WALLBOARD &
FINISH PER OWNER SELECTION

R2 FLAT ROOF / ROOF DECK ASSEMBLY
3-PLY EPDM SELF-ADHERING MEMBRANE
(SELF-ADHERING CAP SHT OVER
SELF-ADHERING BASE SHT OVER
MECHANICALLY-ADHERED BASE SHT)
3/4 PLYWOOD SHEATHING PER STRUCT.
5" (R-35) SPRAY APPLIED CLOSED CELL INSULATION
W/ VAPOR BARRIER TO UNDERSIDE OF DECKING
R-19 FIBERGLASS BATT INSULATION
(FOR TOTAL ASSEMBLY R-VALUE OF R-54)
ROOF TRUSSES/FRAMING PER STRUCT. W/
5/8 GYPSUM WALLBOARD &
FINISH PER OWNER SELECTION

F1 TYPICAL WOOD FINISH OVER SLAB ON GRADE:
WOOD FINISH PER INTERIORS
REINFORCED CONCRETE SLAB PER STRUCT
WITH IN-SLAB HYDRONIC HEATING SYSTEM.
W/ THERMAL EXPANSION JOINTS AT WALL
6 MIL VISQUEEN (MIN) VAPOR BARRIER
R-10 RIGID FOAM INSULATION
6" MINIMUM COMPACTED GRAVEL BASE OVER
UNDISTURBED SOIL

F2 TYPICAL GARAGE FLOOR ASSEMBLY
CONCRETE SEALER
REINFORCED CONCRETE SLAB PER STRUCT.,
SLOPED TO DRAIN (1/4" PER FT.).
6 MIL POLY VAPOR BARRIER OVER
6" MINIMUM COMPACTED STRUCT. FILL
UNDISTURBED SOIL.

F3 TYPICAL FLOOR ASSEMBLY OVER UNHEATED EXTERIOR SPACE
FLOOR FINISH PER INTERIORS
1-1/8" T&G 'WARMBOARD' SUBFLOOR FLOOR SHEATHING
(GLUED & SCREWED) WITH HYDRONIC HEATING SYSTEM
FLOOR FRAMING PER STRUCTURAL
R30 FIBERGLASS BATT INSULATION
6 MIL VISQUEEN VAPOR BARRIER
EXTERIOR T&G CEDAR SOFFIT MATERIAL
(SMOOTH FACE EXPOSED)

F4 TYPICAL FLOOR ASSEMBLY OVER HEATED SPACE
FLOOR FINISH PER INTERIORS
1-1/8" T&G 'WARMBOARD' SUBFLOOR FLOOR SHEATHING
(GLUED & SCREWED) WITH HYDRONIC HEATING SYSTEM
FLOOR FRAMING PER STRUCTURAL
(2X DROP CEILING /SOFFIT FRAMING AS INDICATED/APPLICABLE)
5/8" GYPSUM WALLBOARD
VAPOR BARRIER PVC PRIMER
FINISH PER OWNER SELECTION

F5 TYPICAL FLOOR ASSEMBLY OVER GARAGE
FLOOR FINISH PER INTERIORS
1-1/8" T&G 'WARMBOARD' SUBFLOOR FLOOR SHEATHING
(GLUED & SCREWED) WITH HYDRONIC HEATING SYSTEM
FLOOR FRAMING PER STRUCTURAL
R30 FIBERGLASS BATT INSULATION
6 MIL VISQUEEN VAPOR BARRIER
5/8" TYPE X" GWB
VAPOR BARRIER PVC PRIMER
FINISH PER OWNER SELECTION

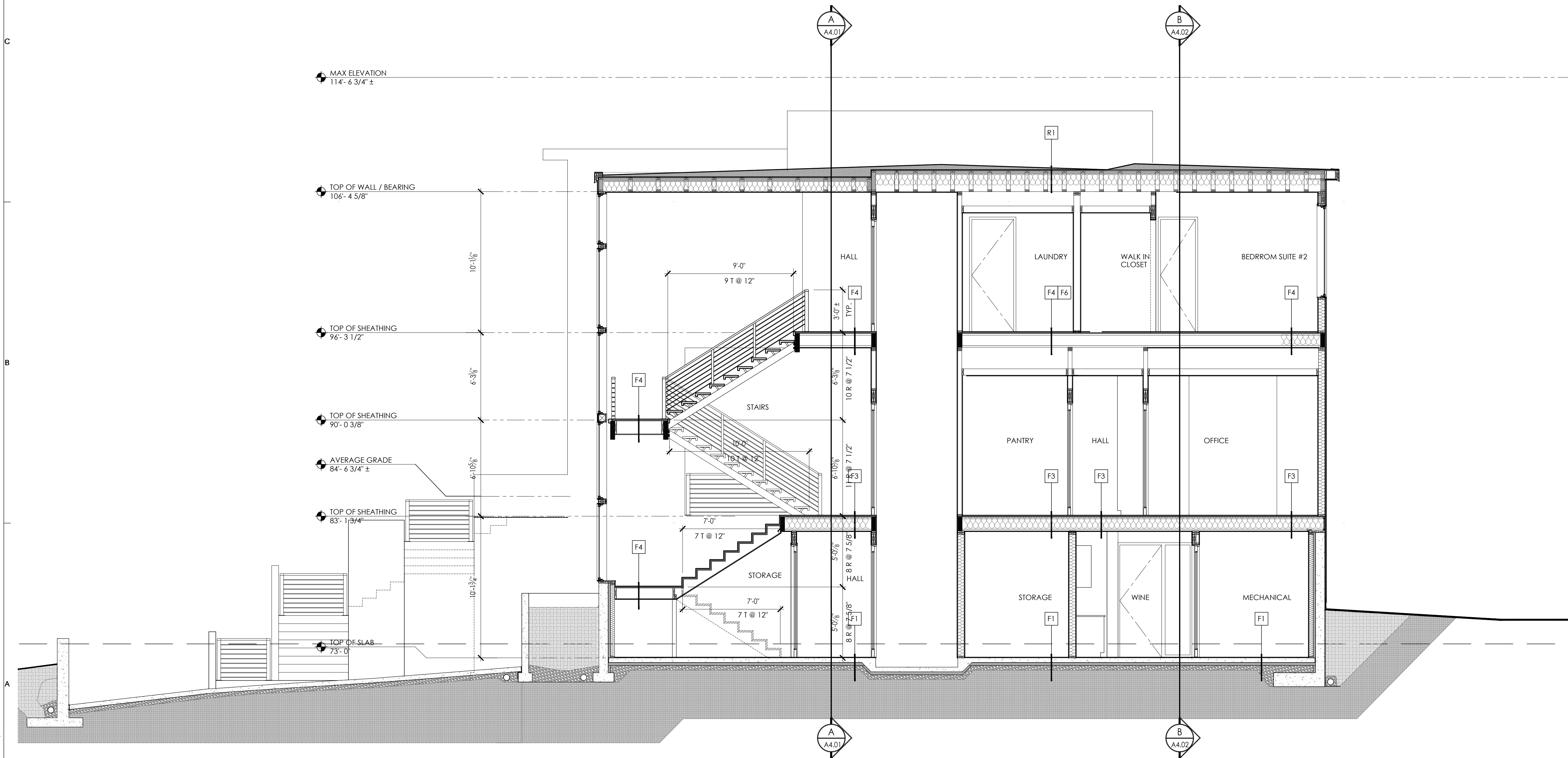
F6 TILE FLOOR ASSEMBLY:
TILE (TBD)
THINSET
UNDERLAYMENT/ISOLATION MAT
TYPICAL FLOOR ASSEMBLY

F7 COMPOSITE WOOD DECKING OVER WATERPROOF DECK
ASSEMBLY:
DECKING PER OWNER SELECTION
"DRYJOIST" PVC STRUCTURAL DECK DRAINAGE SYSTEM
DECK FRAMING PER STRUCTURAL
2X SOFFIT FURRING STRIPS
3/8" BEVELED SOFFIT BOARDS (SMOOTH FACE EXPOSED) W/
CONTINUOUS STRIP VENTING

S1 TYPICAL DRIVEWAY ASSEMBLY
REINFORCED CONCRETE SLAB PER STRUCT.,
SLOPED TO DRAIN (1/4" PER FT.),
STAINED & SCORED, OVER
6" MINIMUM COMPACTED STRUCT. FILL OVER
UNDISTURBED SOIL.

S2 TYPICAL CONCRETE SIDEWALK/STAIR ASSEMBLY
REINFORCED CONCRETE SLAB / STEPS PER STRUCT.,
SLOPED TO DRAIN (1/4" PER FT.),
STAINED & SCORED, OVER
6" MINIMUM COMPACTED STRUCT. FILL OVER
UNDISTURBED SOIL.

F8 PATIO PAVERS OVER PIT SET PEDESTAL SYSTEM:
PAVERS PER OWNER SELECTION
LEVELING PEDESTALS
CONCRETE SEALER
REINFORCED 4" CONCRETE SLAB (SLOPE TO DRAIN 1/4" PER FOOT TO
TRENCH DRAIN)
6" MINIMUM COMPACTED SAND BASE OVER
UNDISTURBED SOIL.



D BUILDING SECTION 'D'
SCALE: 1/4" = 1'-0"

File: A04_Section.dwg / Sheet: A04 / Plt. Date: June 14, 2017

CONSULTANT: _____

PROFESSIONAL SEAL: _____



PROJECT: _____

a project for:
Barcelo homes
PO BOX 1733 AUBURN, WA 98071
Phone: (206) 724-1072

EAST MERCER RESIDENCE

4634 EAST MERCER WAY
MERCER ISLAND, WA 98040

SHEET ISSUE:

6/24/2015	PERMIT SUBMITTAL
8/29/2016	PERMIT APPROVED
6/05/2017	REVISION TO PERMIT

MUNICIPALITY REVIEW:

PROJECT # MERCER ISLAND 15 - 015

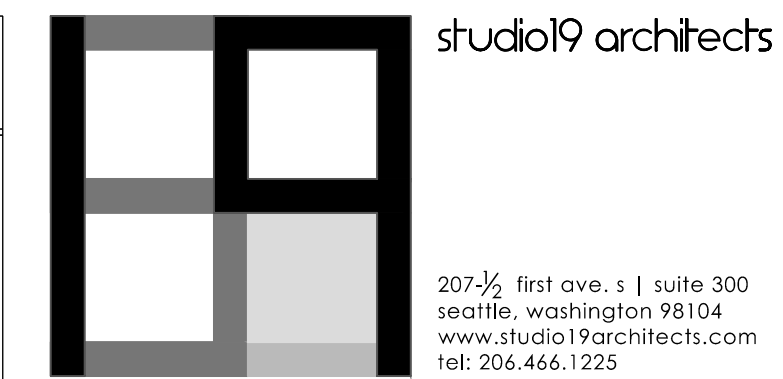
SHEET TITLE:
BUILDING SECTION 'D'

PROJECT NO.: 20140904
DATE ISSUED: 6/05/2017

SHEET NUMBER:
A4.04

W.R.B. & FLASHING SEQUENCE AT BUILDING PENETRATIONS

NOTES



NOTE:
CONTRACTOR SHALL CONFIRM COMPATIBILITY OF ALL MATERIALS USED IN PENETRATION FLASHING SEQUENCE. USE SIMILAR METHODS AT EACH BUILDING PENETRATION.

MATERIALS / ASSEMBLIES:

- CONTRACTOR SHALL BE RESPONSIBLE FOR PROVIDING ALL WORK AND MATERIALS IN ACCORDANCE WITH ALL APPLICABLE COUNTY, AND LOCAL BUILDING AND FIRE CODES AS REQUIRED.
- ALL WOOD AND SONITUBE FORMS USED FOR CONCRETE IN THE GROUND OR BETWEEN FOUNDATION SILLS & THE GROUND SHALL BE REMOVED.
- ALL WOOD IN CONTACT WITH CONCRETE OR MASONRY SHALL BE PRESSURE TREATED WOOD OR ANY SPECIES OR FOUNDATION GRADE CEDAR OR REDWOOD, ALL MARKED BY AN APPROVED TESTING AGENCY.
- PROVIDE 90# FELT BETWEEN POSTS & CONCRETE.
- PROVIDE DRAFT STOPS, FIRE BLOCKING, AND FIRESTOPS AS REQUIRED BY CODE.
- FLASHING AND COUNTER FLASHING TO BE MIN. 24 GAUGE OF CORROSION-RESISTANT METAL AND SHALL BE INSTALLED IN COMPLIANCE WITH LOCAL BUILDING CODES AND MANUFACTURERS RECOMMENDATIONS.
- GENERAL CONTRACTOR SHALL PROVIDE BLOCKING FOR ALL WALL-MOUNTED HARDWARE, TOILET ACCESSORIES, TOWEL BARS, LIGHT FIXTURES, BUILT-INS, ETC., AS REQUIRED FOR SECURE AND PROPER INSTALLATION.
- ALL WOOD EXPOSED TO WEATHER SHALL BE PRESSURE TREATED OR CEDAR.
- ALL STRUCTURAL PANEL COMPONENTS OF THE RESIDENCE SHALL COMPLY WITH APPROPRIATE STANDARDS FOR THE EMISSION OF FORMALDEHYDE. THE BACK-DRAFTING OF COMBUSTION BY PRODUCTS FROM COMBUSTION APPLIANCES SHALL BE MINIMIZED THROUGH THE USE OF DAMPERS, VENTS, OUTSIDE COMBUSTION AIR SOURCES, OR OTHER APPROPRIATE TECHNOLOGIES [RCW 19.27.190(VER)1]

CONSULTANT: _____

PROFESSIONAL SEAL: _____



PROJECT: _____

a project for:
Barcelo homes
PO BOX 1733 AUBURN, WA 98071
Phone: (206) 724-1072

EAST MERCER RESIDENCE

4634 EAST MERCER WAY
MERCER ISLAND, WA 98040

SHEET ISSUE: _____

6/24/2015	PERMIT SUBMITTAL
8/29/2016	PERMIT APPROVED
6/05/2017	REVISION TO PERMIT

MARK DATE DESCRIPTION

MUNICIPALITY REVIEW: _____

PROJECT # MERCER ISLAND 15 - 015

SHEET TITLE: _____

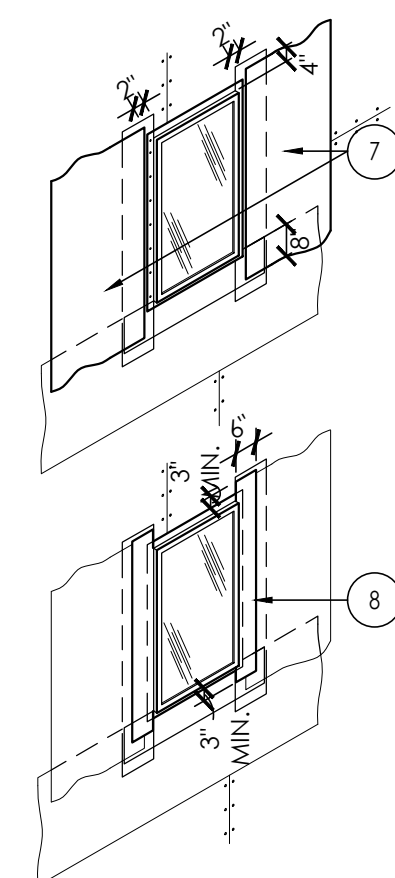
TYPICAL WALL, FLOOR, & ROOF ASSEMBLIES
W.R.B. & FLASHING SEQUENCE AT
BUILDING PENETRATIONS

PROJECT NO.: 20140904

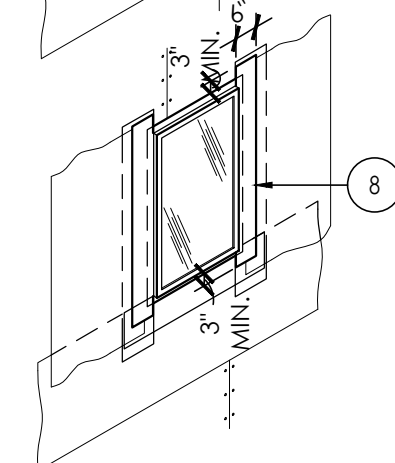
DATE ISSUED: 6/05/2017

SHEET NUMBER: _____

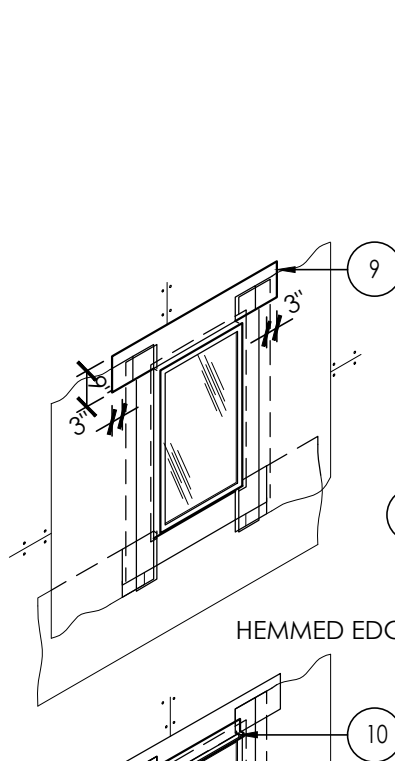
A8.01



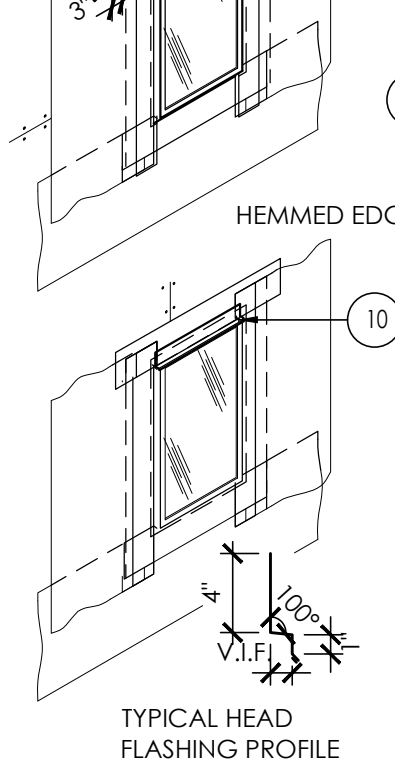
7 BLEEDER STRIPS AT JAMBS:
INSTALL ONE COURSE OF WEATHER-RESISTIVE BARRIER VERTICALLY AT JAMBS. OFFSET EDGE OF WEATHER-RESISTIVE BARRIER 2" FROM ROUGH OPENING.



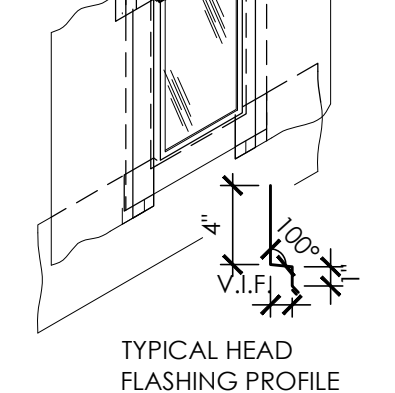
8 SELF-ADHESIVE JAMB FLASHING:
WIPE CLEAN NAILING FLANGE AND BASE FLASHING. APPLY 6" WIDE SELF-ADHESIVE JAMB FLASHING (FORTIFIBER "MOISTOP FORTIFLASH") OVER NAILING FLANGE. APPLY FIRM PRESSURE WITH A ROLLER ALONG ENTIRE SELF-ADHESIVE STRIP TO ENSURE A CONTINUOUS SEAL.



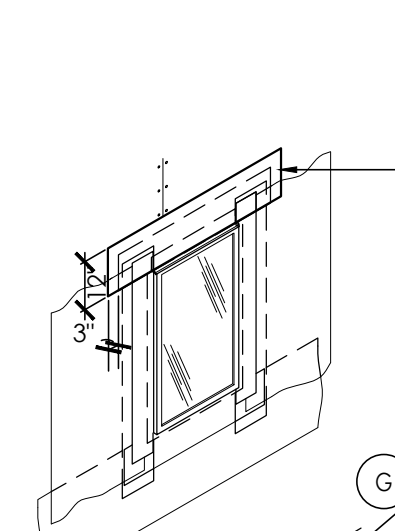
9 SELF-ADHESIVE HEAD MEMBRANE FLASHING:
WIPE CLEAN THE WINDOW FLANGE, PREVIOUS FLASHING LAYERS AND SUBSTRATE. APPLY 9" WIDE SELF-ADHESIVE HEAD FLASHING (FORTIFIBER "MOISTOP EZ-SEAL") OVER THE WINDOW FLANGE, BASE FLASHING AND SELF-ADHESIVE JAMB FLASHING. USING A ROLLER, APPLY FIRM PRESSURE ALONG THE ENTIRE SELF-ADHESIVE STRIP TO ENSURE A CONTINUOUS SEAL.



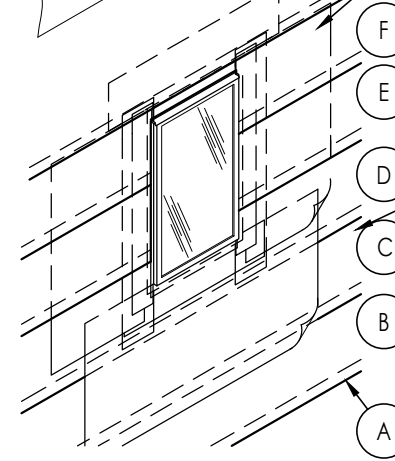
10 TYPICAL HEAD FLASHING PROFILE:
PROVIDE END DAM AT BOTH ENDS OF HEAD FLASHING (SEE WINDOW HEAD DETAIL).



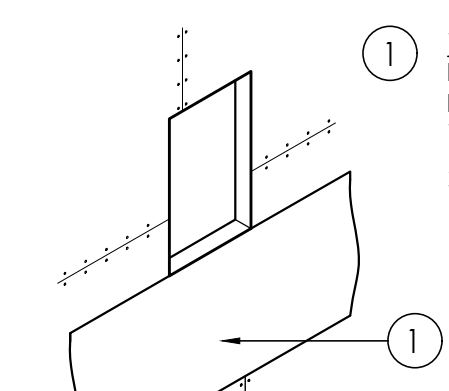
METAL SIDING APPLICATION:
APPLY METAL FLASHING DIRECTLY ABOVE WINDOW. EXTEND FLASHING BEYOND WINDOW FRAME 3/8" EACH SIDE, OR THE MINIMUM REQUIRED TO COVER 1/2" SEALANT JOINT.



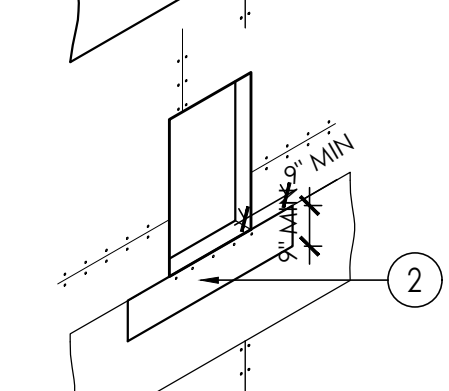
11 WATERPROOF HEAD FLASHING MEMBRANE:
INSTALL MEMBRANE (FORTIFIBER "FORTIFLASH") OVER METAL HEAD FLASHING. APPLY FIRM PRESSURE WITH A ROLLER ALONG THE ENTIRE SELF-ADHESIVE STRIP TO ENSURE A CONTINUOUS SEAL. FASTEN AT CORNERS AND MIDPOINT.



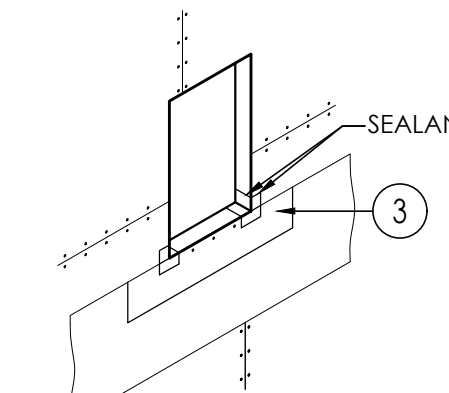
12 WEATHER-RESISTIVE BARRIER:
START AT THE BOTTOM OF THE WALL. LAY WEATHER-RESISTIVE BARRIER UP THE WALL. OVERLAPPING 1/2 ROLL + 4" MIN. HORIZ. AND 6" VERTICAL IN WEATHERBOARD FASHION. MAKE SURE THAT COURSE 'C' AND 'D' ARE PLACED UNDER THE SILL STRIP FLASHING AND JAMB FLASHING. ALIGN VERTICAL EDGE OF W.R.B. WITH SIDES OF HEAD FLASHING (LETTERS REFER TO ORDER OF INSTALLATION)



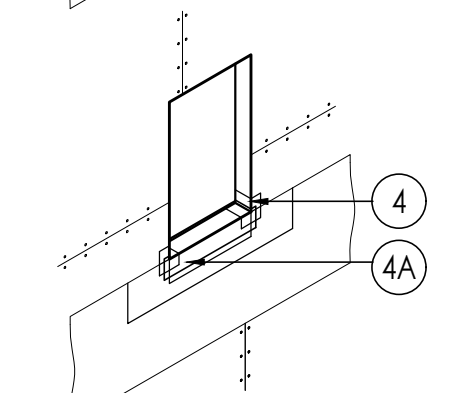
1 WEATHER-RESISTIVE BARRIER MATERIAL AT SILL:
INSTALL ONE COURSE OF WEATHER-RESISTIVE BARRIER AT SILL. FASTEN ONLY THE TOP OF WEATHER-RESISTIVE BARRIER TO SUBSTRATE. TO ALLOW (FOLLOWING) LOWER COURSE OF WEATHER RESISTIVE BARRIER TO GO UNDERNEATH.



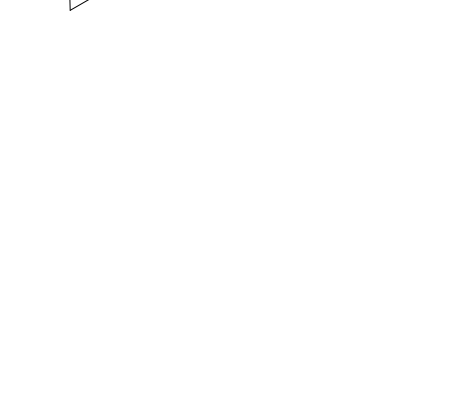
2 BASE FLASHING - SILL:
INSTALL WATER-RESISTANT BASE FLASHING (FORTIFIBER "NEXT") AT SILL, ON TOP OF WEATHER-RESISTIVE BARRIER.



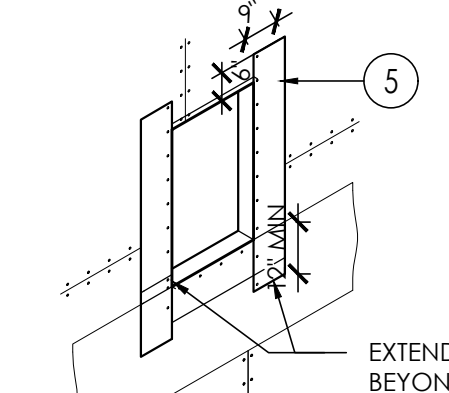
3 CORNER SHIELD:
FASTEN PRE-FORMED CORNER SHIELDS IN BEAD OF SEALANT AT JAMB TO FRAMING. CUT TO FIT TIGHT TO EXISTING LINER. DO NOT NAIL THROUGH SILL.



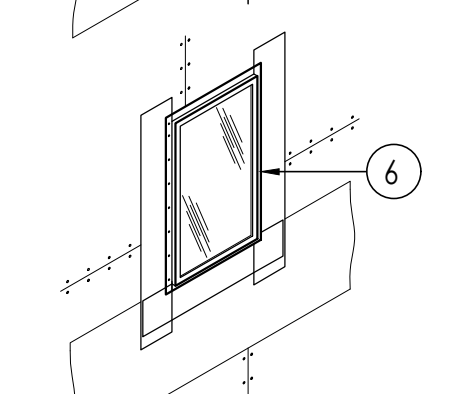
4 SILL WRAP:
INSTALL SELF-ADHESIVE SILL WRAP FLASHING (FORTIFIBER "FORTIFLASH") AT SILL, ON TOP OF BASE FLASHING AND CORNER SHIELDS. INSTALL UP TO LINER.



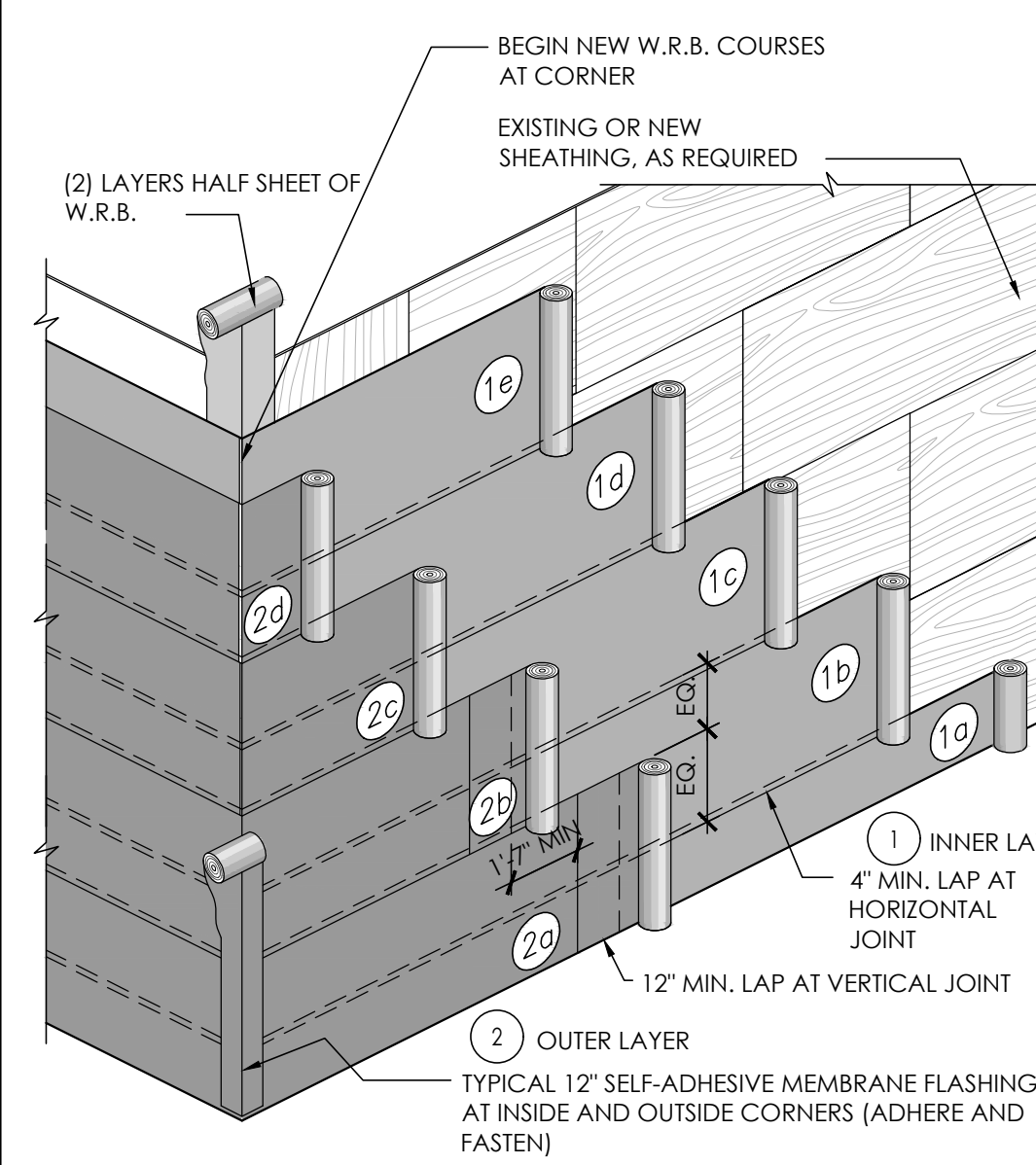
4A SILL PAN:
METAL SILL PAN WITH VERTICAL INTERIOR LIP OVER SILL WRAP



5 VERTICAL BASE FLASHING - JAMB:
INSTALL VERTICAL BASE FLASHING (FORTIFIBER "MOISTOP") OVER SILL FLASHING.

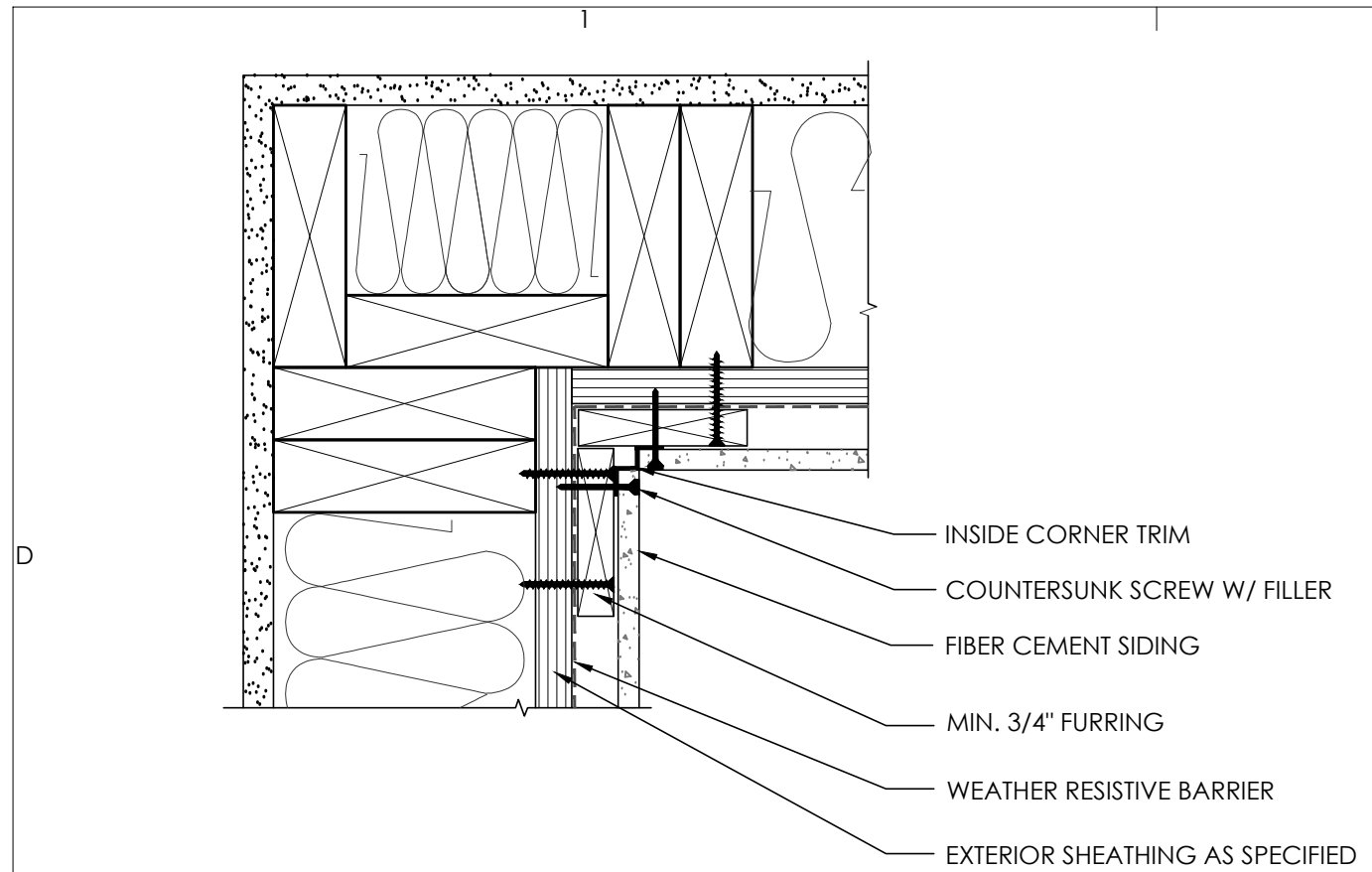
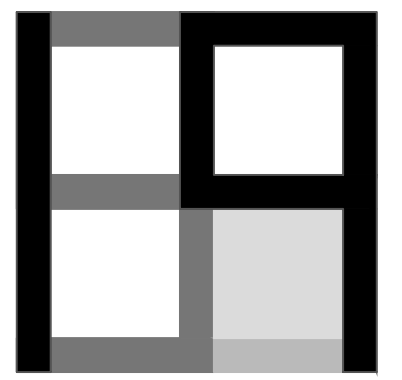


6 WINDOW FLANGE W/ SILICONE SEALANT:
APPLY CONTINUOUS BEAD OF SILICONE SEALANT (ASTM C-920 TYPE "S" GRADE N.S. CLASS 2S) ALONG TOP, SIDES AND BOTTOM OF WINDOW FLANGE. DO NOT NAIL AT WINDOW HEAD. INSTALL WINDOW IN OPENING PER MANUFACTURER'S SPECIFICATIONS.

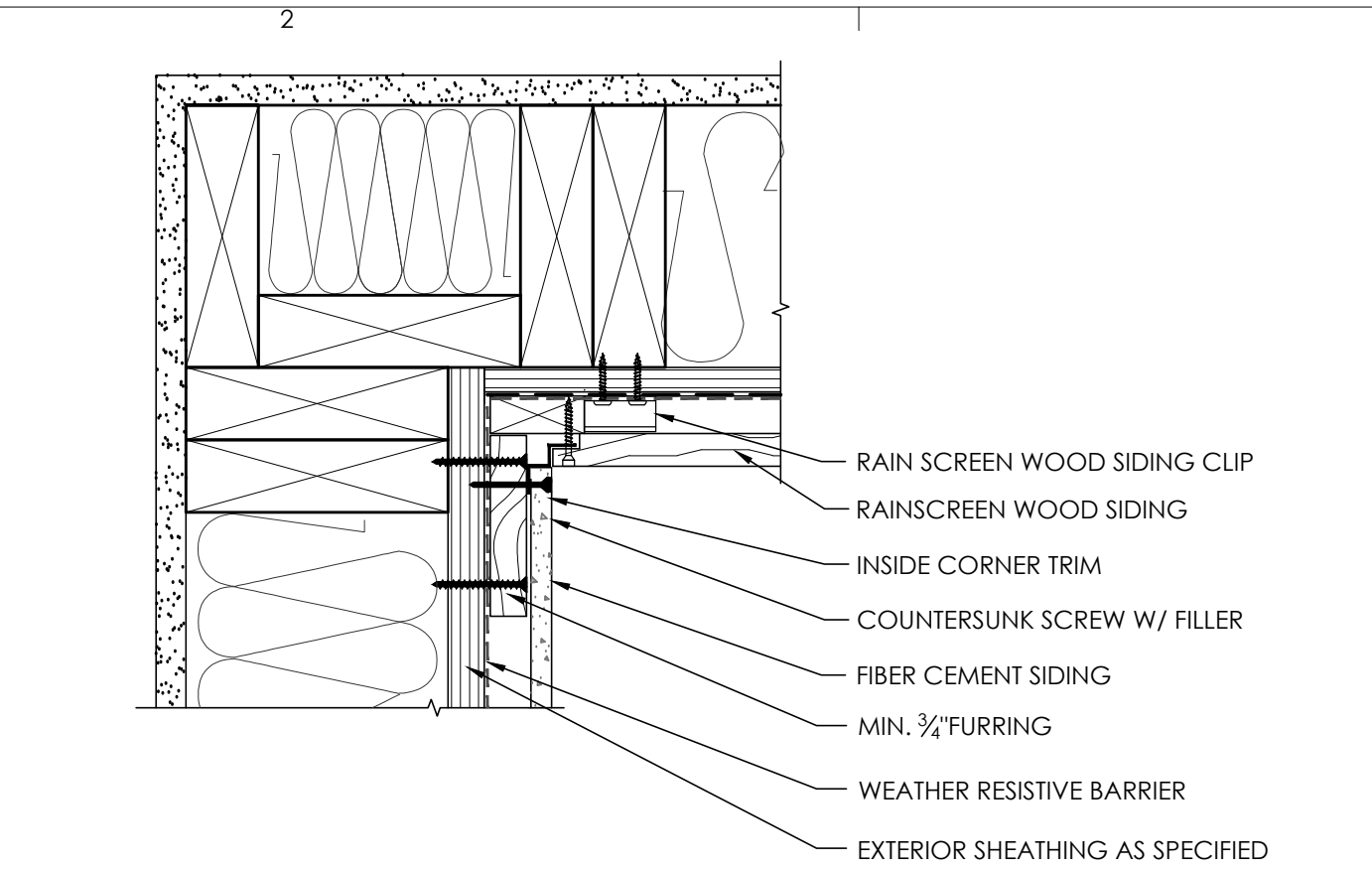


TYPICAL SEQUENCING OF WEATHER RESISTIVE MEMBRANE PRIOR TO INSTALLATION OF EXTERIOR FINISH MATERIAL

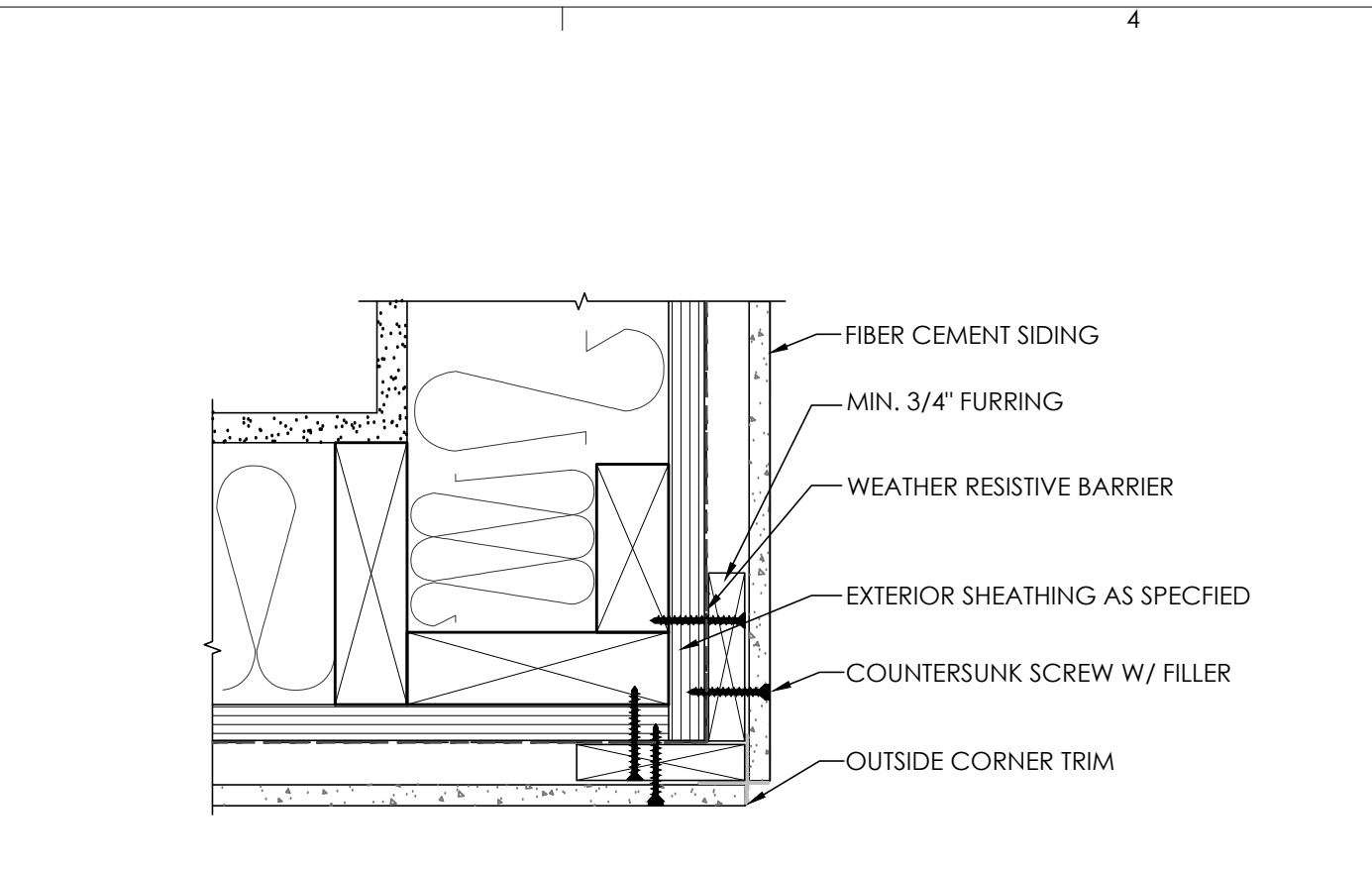
A1 WEATHER RESISTIVE BARRIER



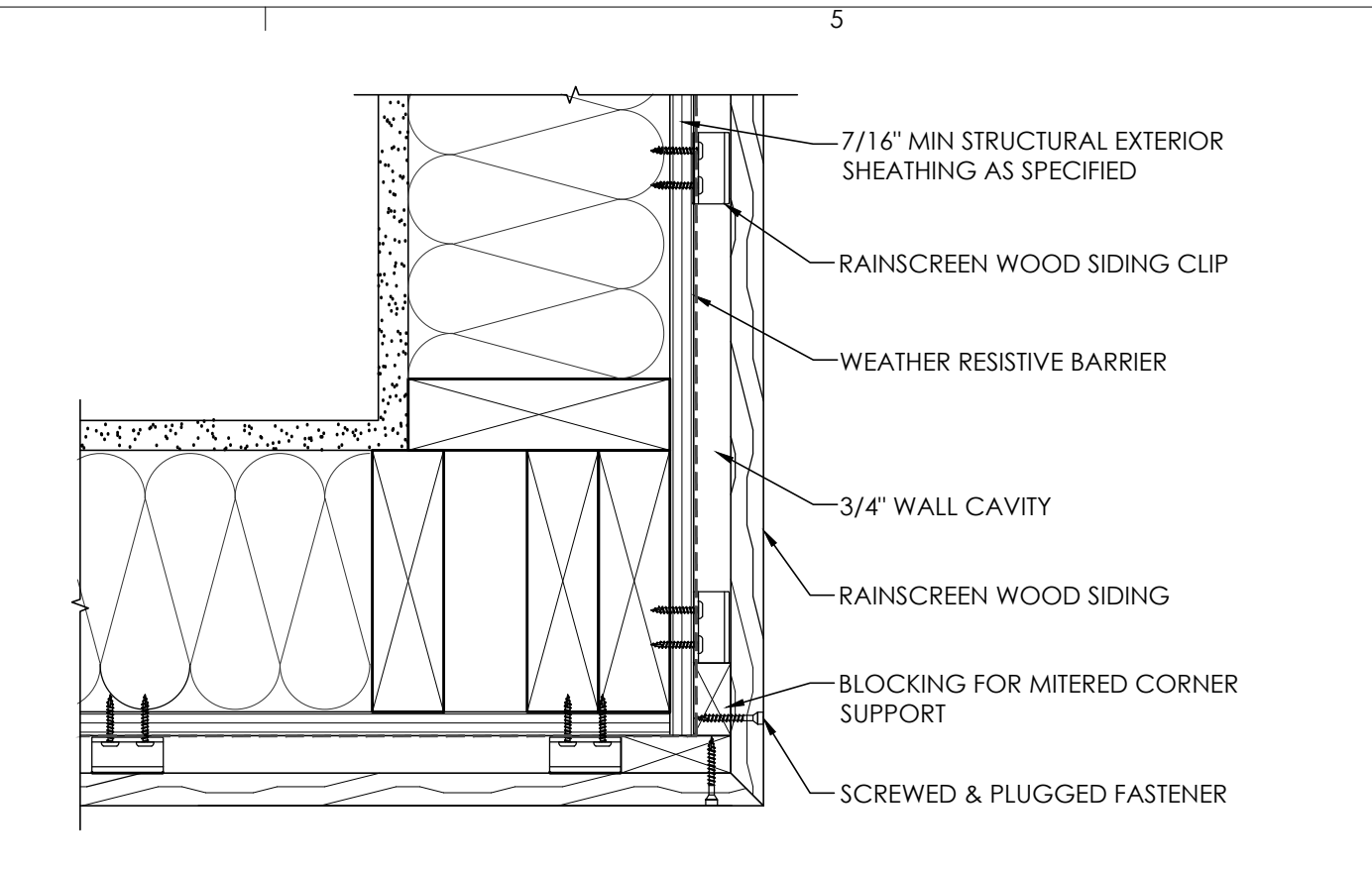
D1 PLAN DETAIL AT INSIDE CORNER TRIM
SCALE: 3" = 1'-0"



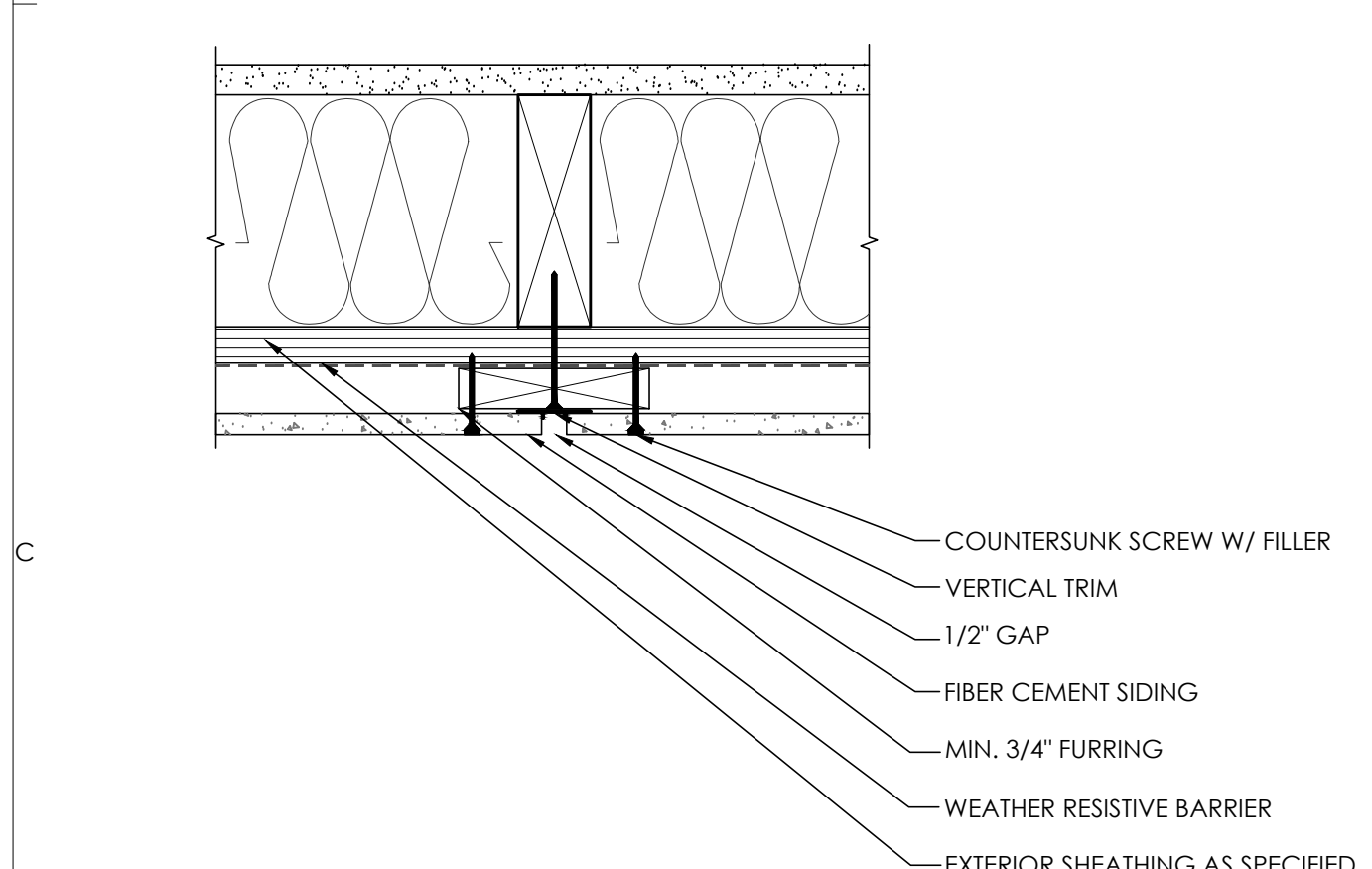
D2 INSIDE CORNER - FIBER CEMENT TO WOOD
SCALE: 3" = 1'-0"



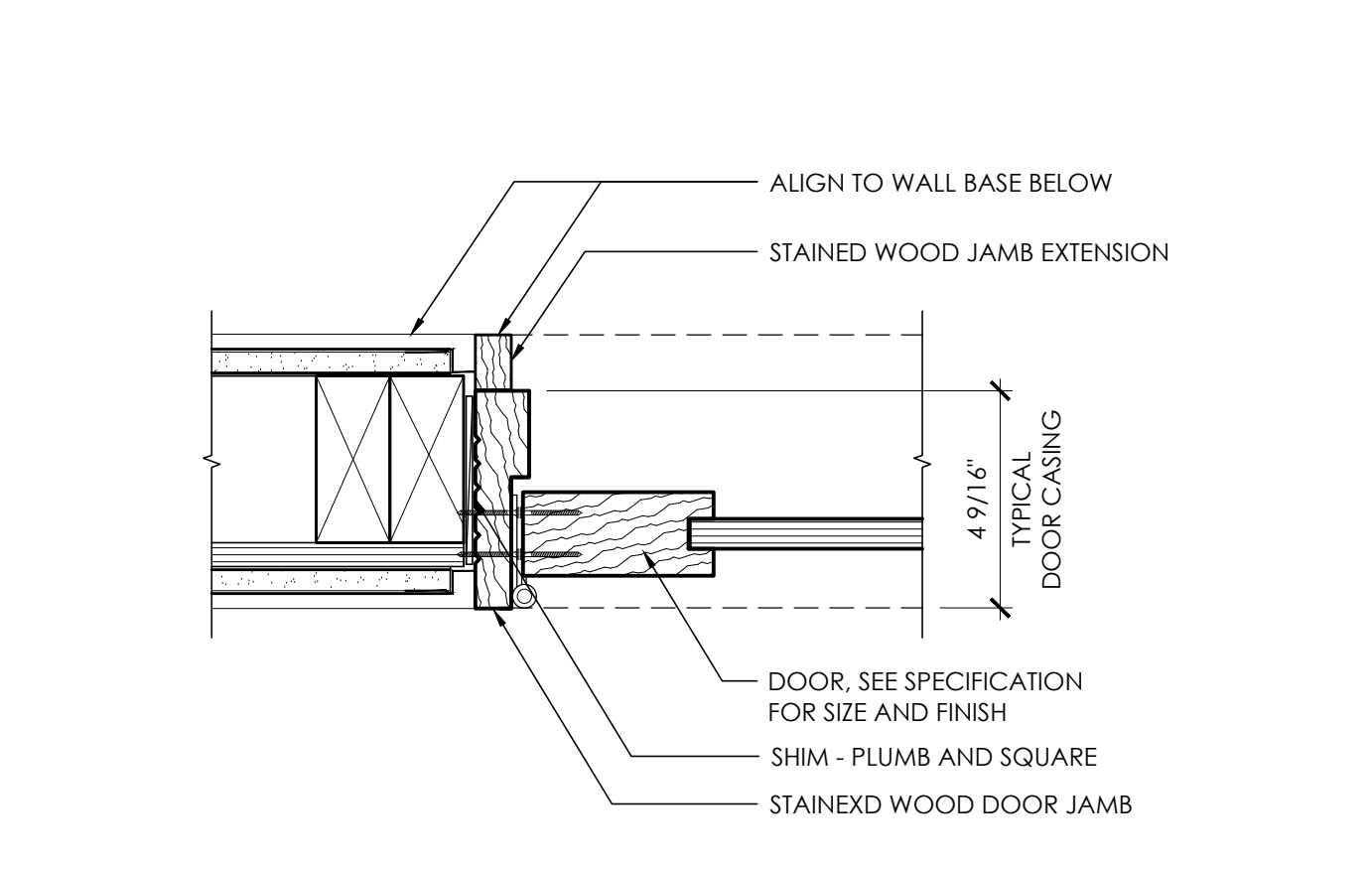
D3 PLAN DETAIL AT OUTSIDE CORNER TRIM
SCALE: 3" = 1'-0"



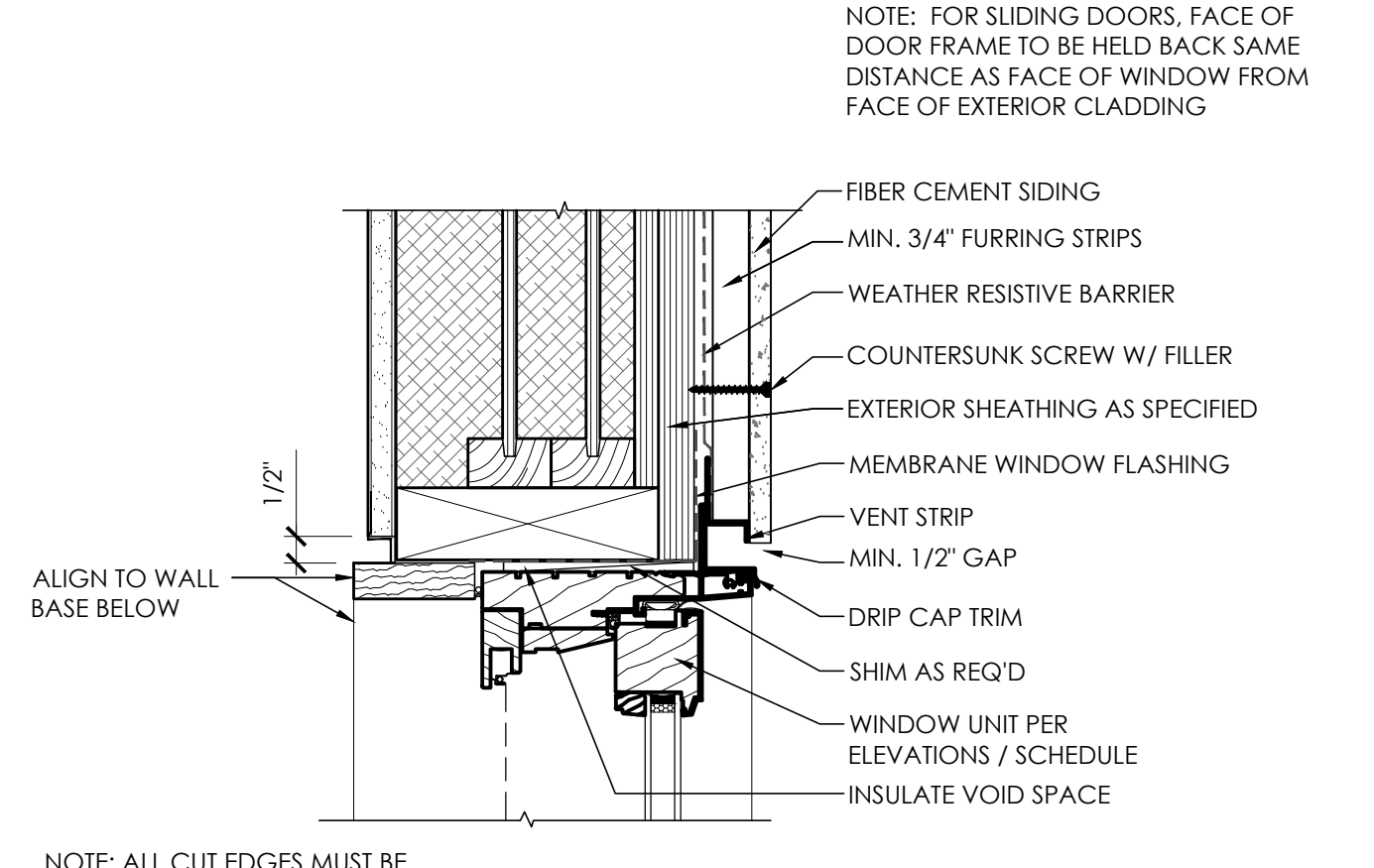
D5 OUTSIDE CORNER AT WOOD SIDING
SCALE: 3" = 1'-0"



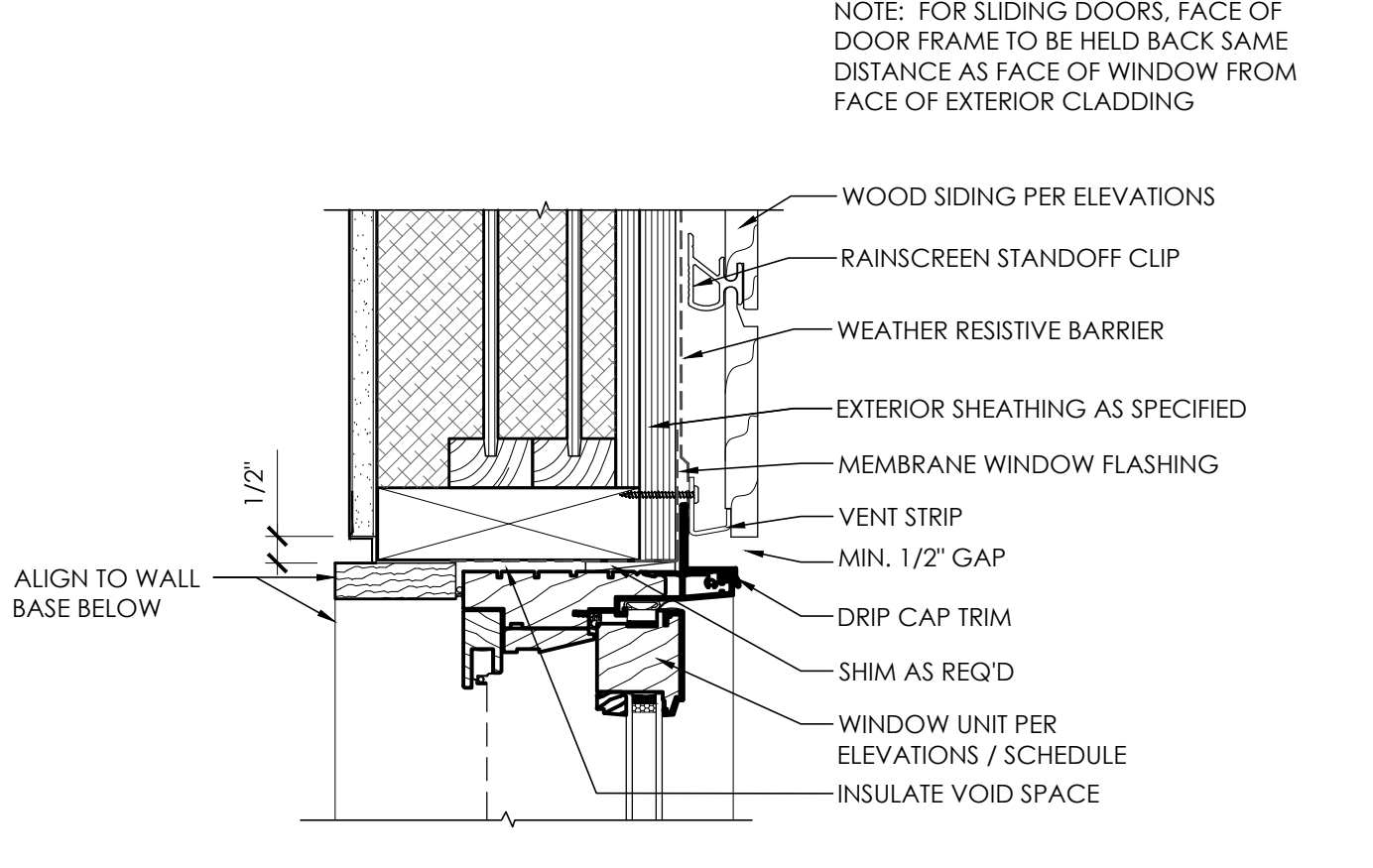
C1 PANEL SECTION W/ VERTICAL TRIM
SCALE: 3" = 1'-0"



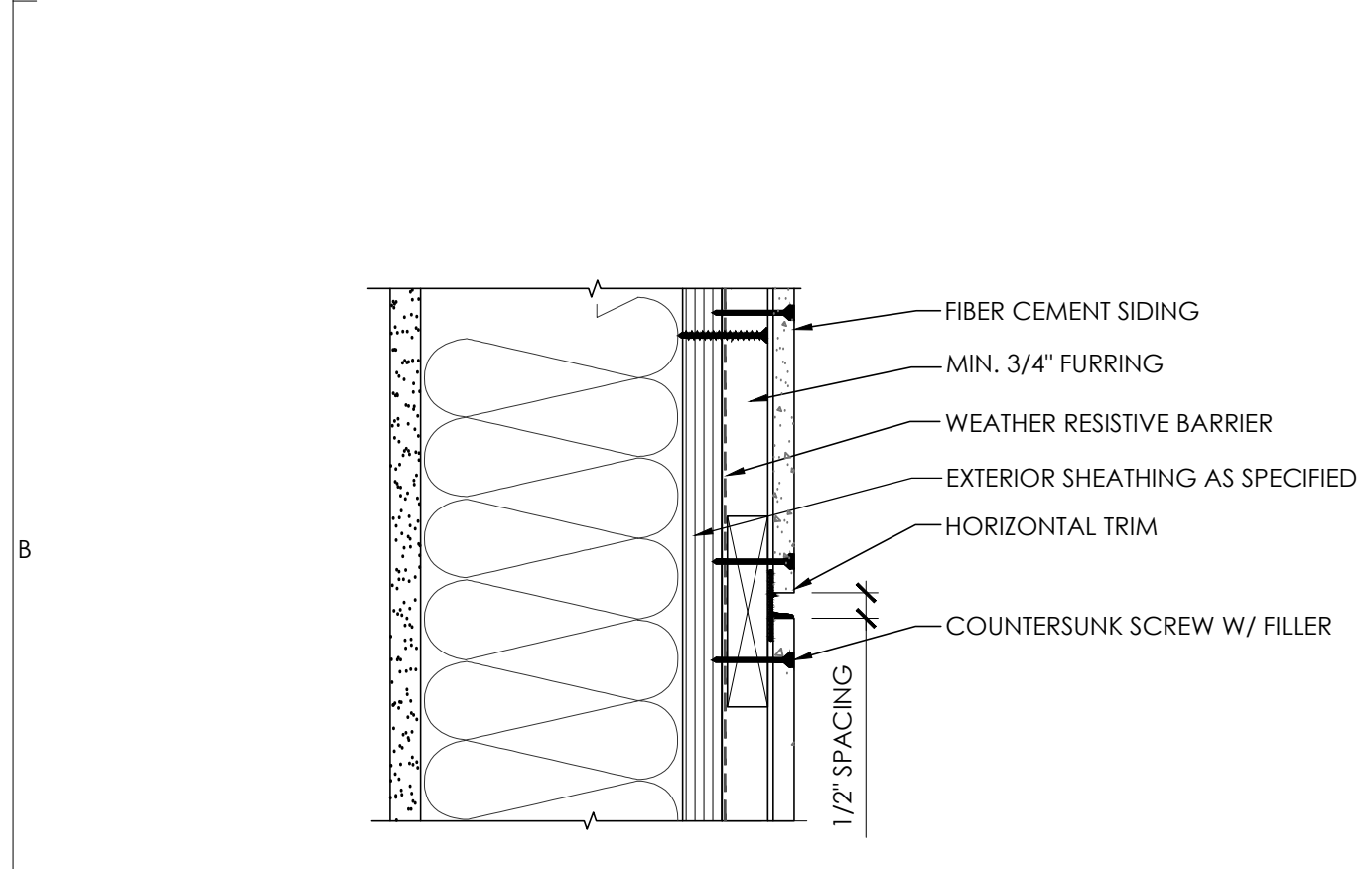
C2 INTERIOR DOOR JAMB
SCALE: 3" = 1'-0"



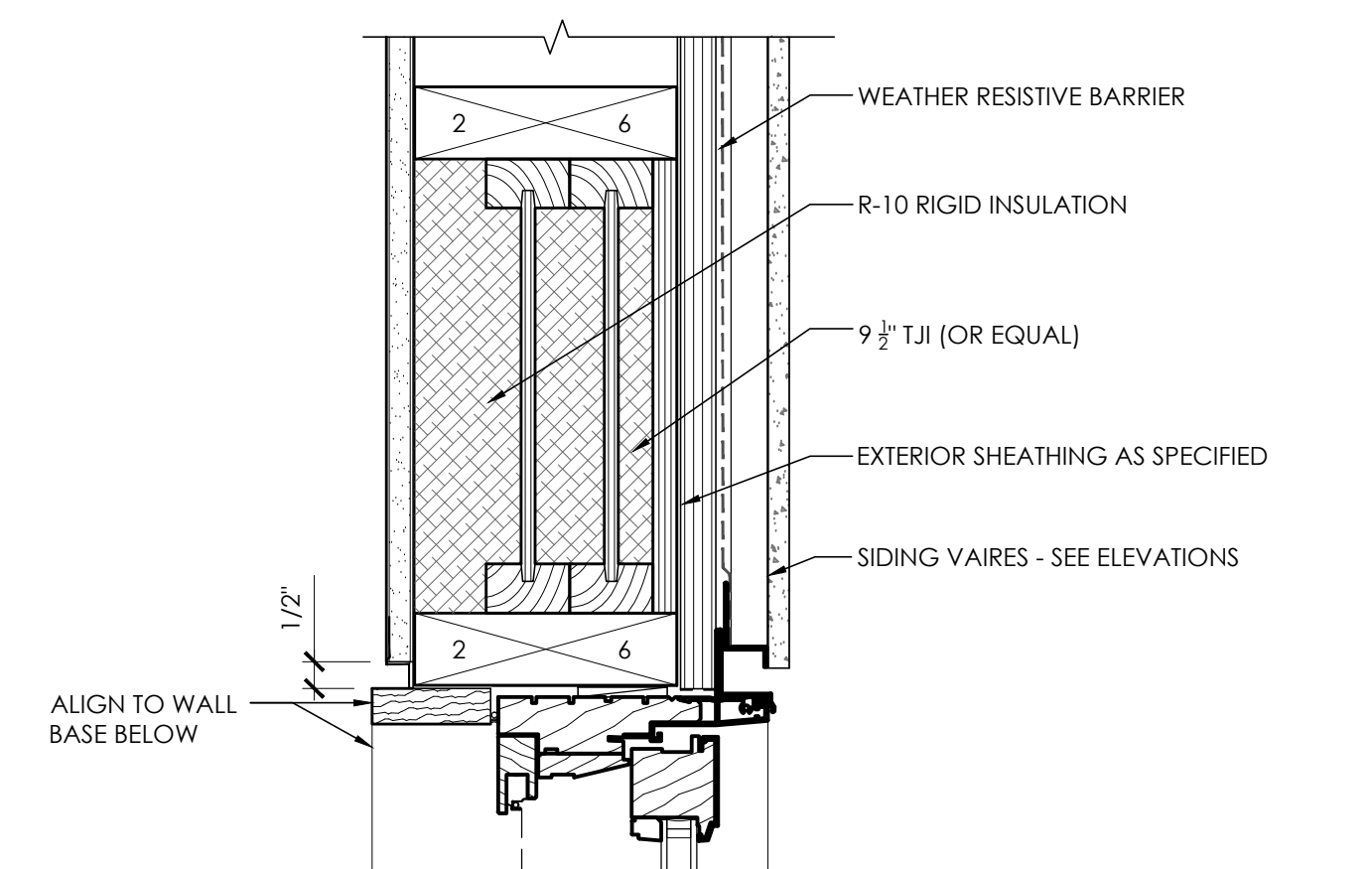
C3 WINDOW HEAD AT SIDING - DOOR HEAD SIM.
SCALE: 3" = 1'-0"



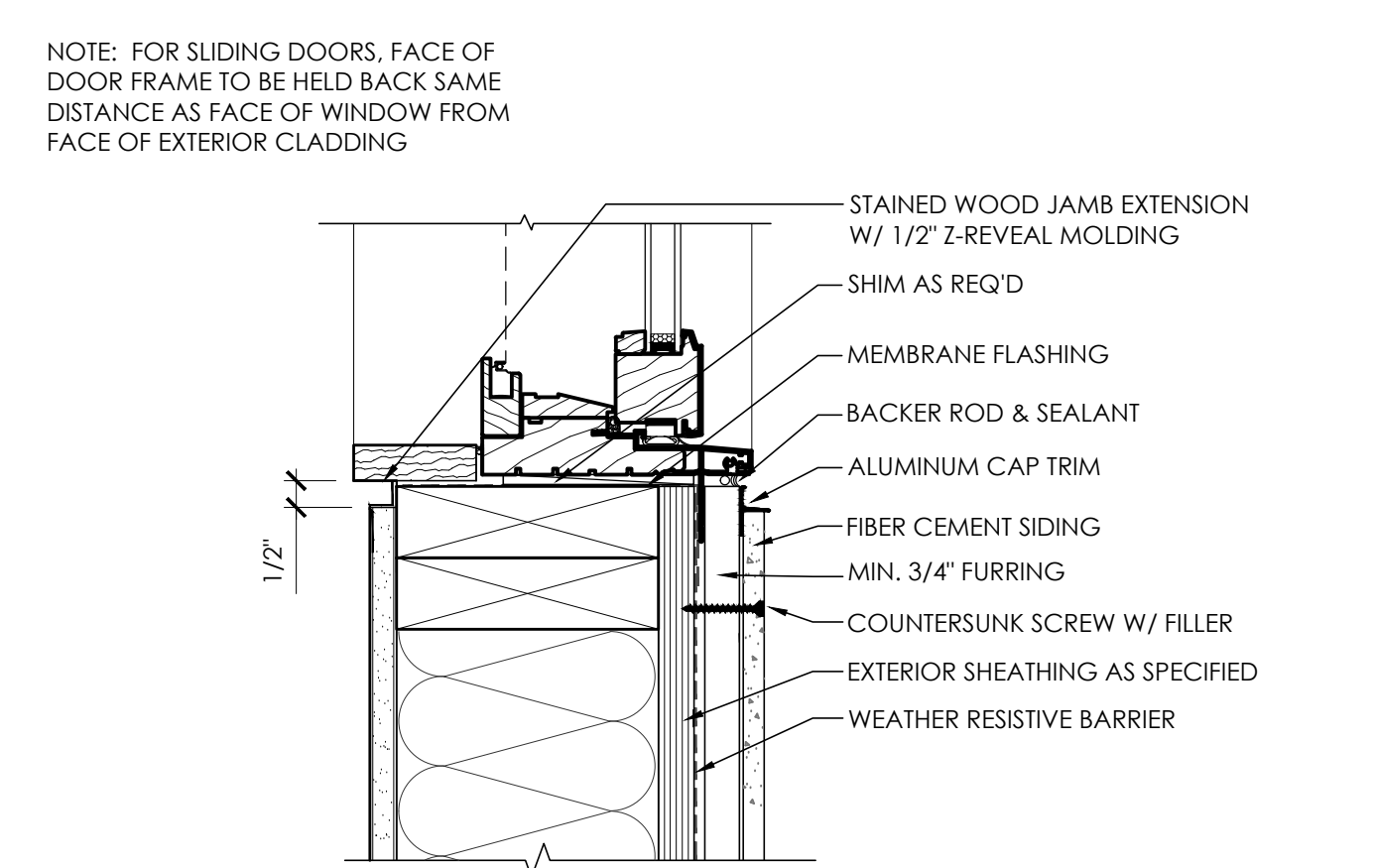
C5 WINDOW HEAD AT WOOD SIDING - DOOR HEAD SIM.
SCALE: 3" = 1'-0"



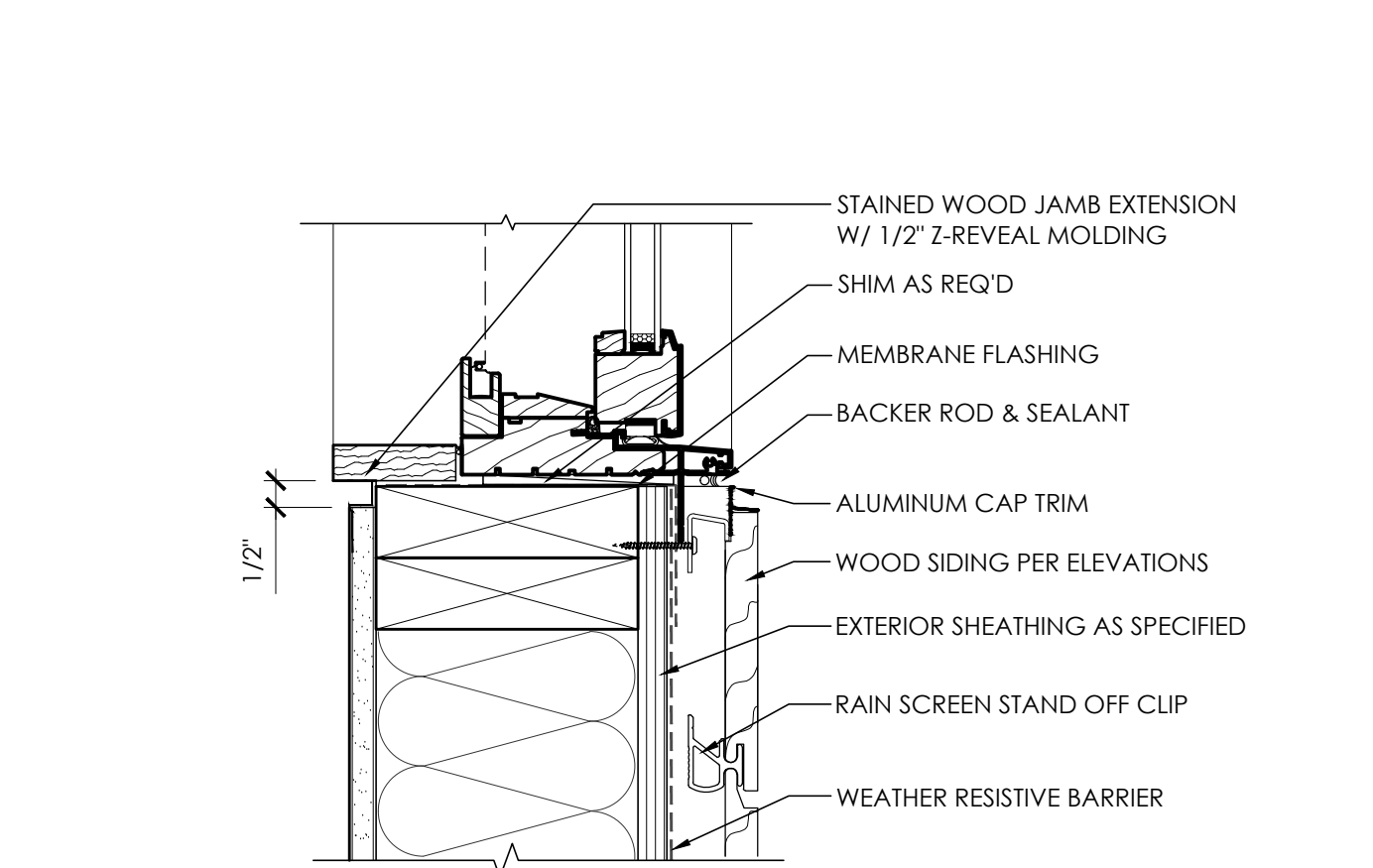
B1 PANEL SECTION W/ HORIZONTAL TRIM
SCALE: 3" = 1'-0"



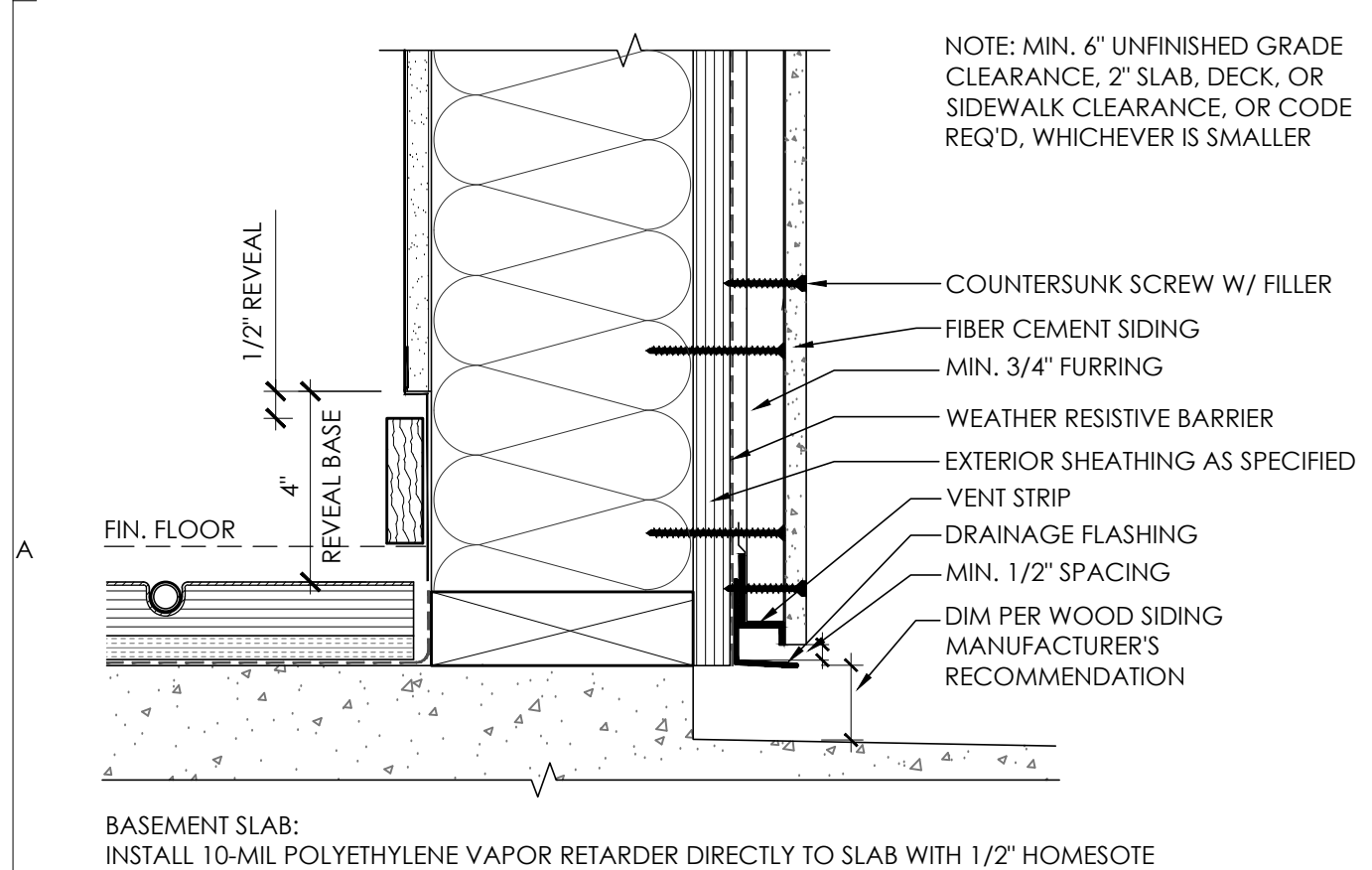
B2 TYPICAL WINDOW/DOOR HEADER
SCALE: 3" = 1'-0" CONTRACTOR OPTION



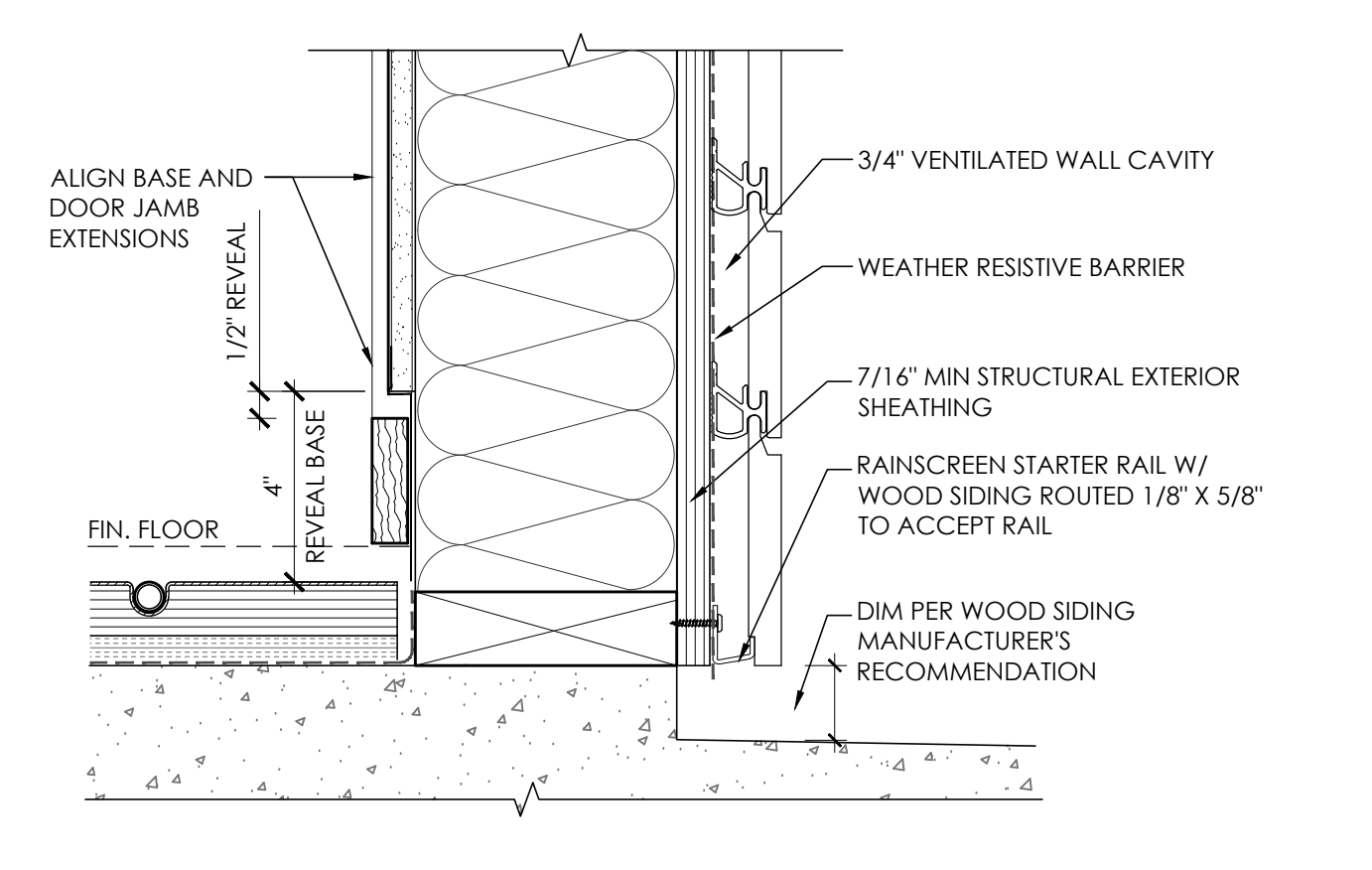
B3 WINDOW SILL AT SIDING
SCALE: 3" = 1'-0"



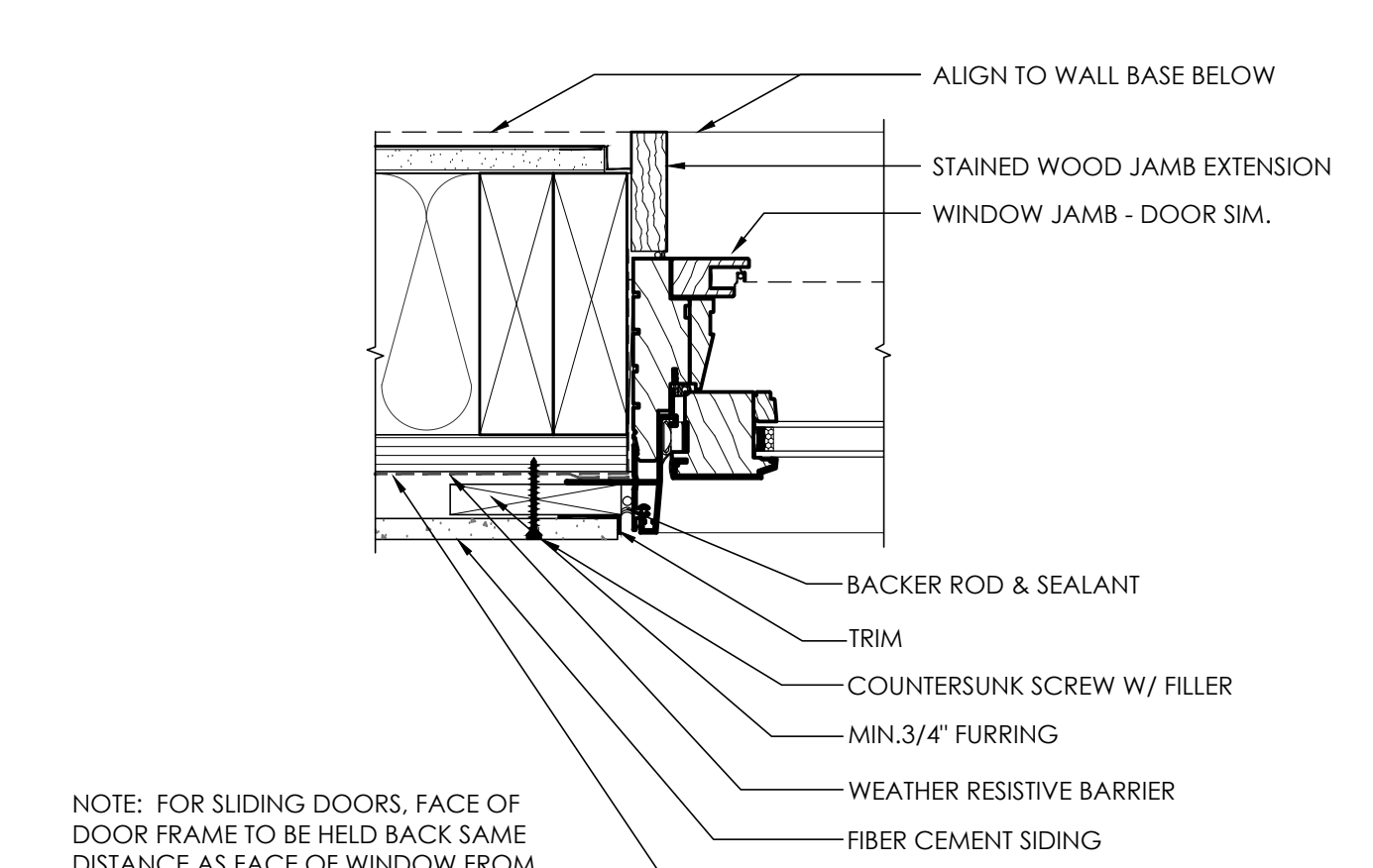
B5 WINDOW SILL AT WOOD SIDING
SCALE: 3" = 1'-0"



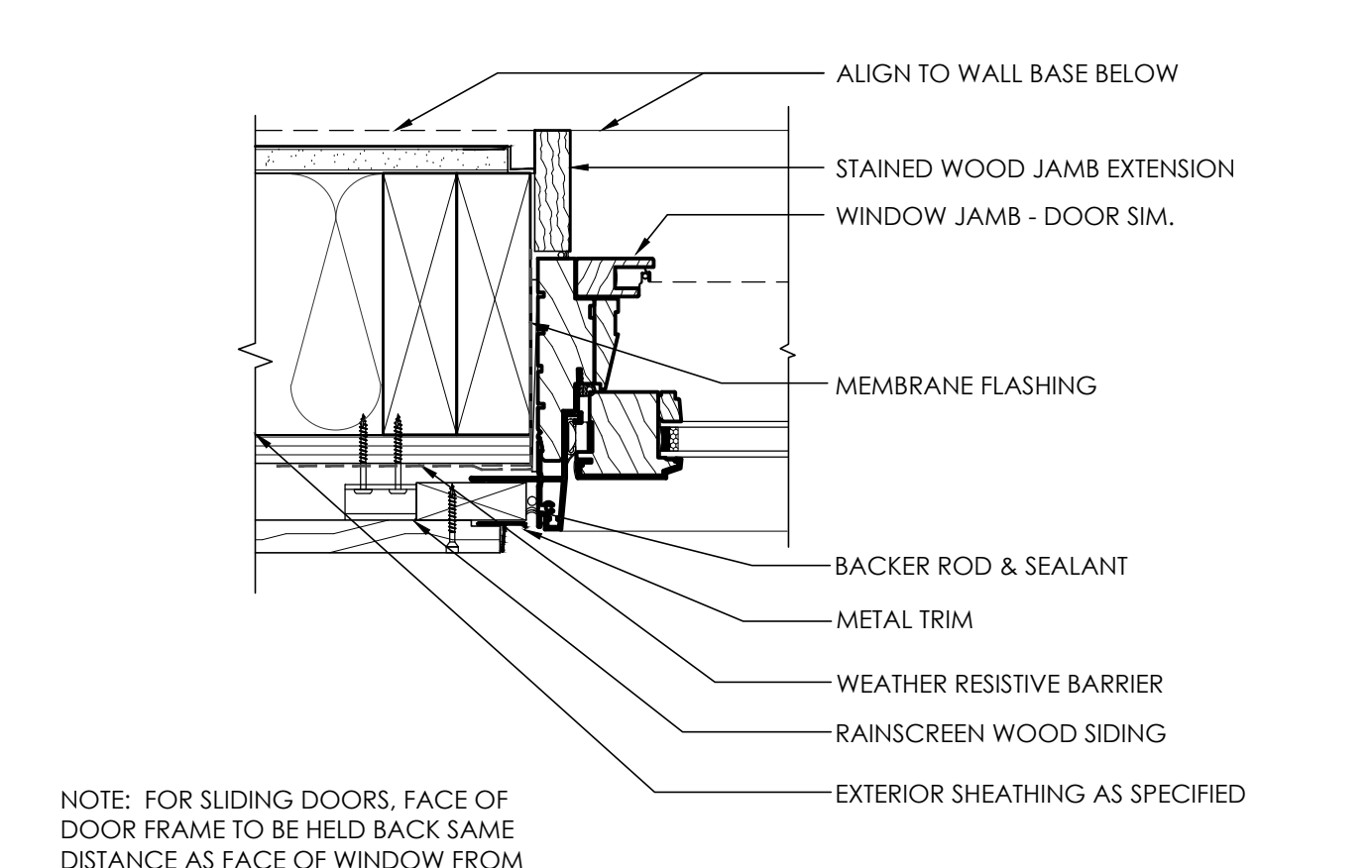
A1 FOUNDATION DETAIL
SCALE: 3" = 1'-0"



A2 FOUNDATION DETAIL
SCALE: 3" = 1'-0"



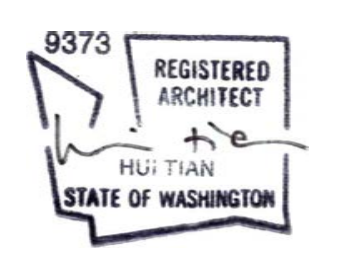
A3 WINDOW JAMB AT SIDING - DOOR JAMB SIM.
SCALE: 3" = 1'-0"



A5 WINDOW JAMB AT WOOD SIDING - DOOR JAMB SIM.
SCALE: 3" = 1'-0"

CONSULTANT: _____

PROFESSIONAL SEAL: _____



PROJECT: _____

a project for:
Barcelo homes
PO BOX 1733 AUBURN, WA 98071
Phone: (206) 724-1072

EAST MERCER RESIDENCE

4634 EAST MERCER WAY
MERCER ISLAND, WA 98040

SHEET ISSUE:

6/24/2015	PERMIT SUBMITTAL
8/29/2016	PERMIT APPROVED
6/05/2017	REVISION TO PERMIT

MARK	DATE	DESCRIPTION

MUNICIPALITY REVIEW: _____

PROJECT # MERCER ISLAND 15 - 015

SHEET TITLE: _____

EXTERIOR DETAILS - CLADDING

PROJECT NO.: 20140904

DATE ISSUED: 6/05/2017

SHEET NUMBER: **A8.02**

OPENING SCHEDULE - LEVEL 1 - INTERIOR DOORS											
MARKER	DIMENSION		FIRE RATING (MIN)	HARDWARE	TYPE	FRAME		DETAILS			REMARKS
	W	H				TYPE	FINISH	HEAD	JAMB	SILL	
100A	3'-0"	8'-0"	20 MIN	TBD	PASSAGE W/ SELF CLOSING HINGES	WOOD	STAINED	A3/A9.01	A3/A9.01	N/A	
100B	3'-0"	8'-0"	20 MIN	CALL BUTTON	ELEVATOR W/ SELF CLOSING HINGES						
100C	2'-6"				PASSAGE						
101	2'-6"				PRIVACY						
102A	2'-6"				PRIVACY						
102C	PAIR 2'-0"				PASSAGE / CLOSET						
103A	12'-0"				SLIDING POCKET						
103D	PAIR 2'-6"				PASSAGE / CLOSET						
104A	3'-0"	8'-0"	TEMPERED		PWNT GLASS DOOR / 1/2" LAMINATED GLASS	GLASS	CLEAR	N/A	N/A	N/A	
105	2'-6"	8'-0"			PRIVACY	WOOD	STAINED	A3/A9.01	A3/A9.01	N/A	
106	3'-0"		20 MIN		PASSAGE W/ SELF CLOSING HINGES						
109	2'-6"				PASSAGE						
113C	PAIR 2'-6"		20 MIN.		PASSAGE W/ SELF CLOSING HINGES						

OPENING SCHEDULE - LEVEL 1 - EXTERIOR WINDOWS										
MARKER	DIMENSION		HEAD HEIGHT ABOVE SUBFLOOR	TYPE	FRAME		DETAILS			REMARKS
	W	H			TYPE	FINISH	HEAD	JAMB	SILL	
100	SEE ELEVATIONS	SEE ELEVATIONS	SEE ELEVATIONS	GANGED PICTURE	CLAD WOOD	BRONZE	SEE SHT AB.02	SEE SHT AB.02	SEE SHT AB.02	SAFETY GLAZING NOTED ON ELEVATIONS - TYP.
101										
102				PICTURE						
103				PICTURE						
104				PICTURE						

OPENING SCHEDULE - LEVEL 2 - INTERIOR DOORS											
MARKER	DIMENSION		FIRE RATING (MIN)	HARDWARE	TYPE	FRAME		DETAILS			REMARKS
	W	H				TYPE	FINISH	HEAD	JAMB	SILL	
200B	PAIR 2'-6"	8'-0"		TBD	PASSAGE / CLOSET	WOOD	STAINED	A3/A9.01	A3/A9.01	N/A	
203	4'-6"				BARN SLIDER						
204B	3'-0"				PASSAGE						
204C	3'-0"				POCKET/PASSAGE						
204D	3'-0"				POCKET/PASSAGE						
206	3'-0"				PASSAGE						
207A	2'-4"				PASSAGE / CLOSET						
207B	3'-0"		20 MIN		PASSAGE						
208	2'-4"				PASSAGE / CLOSET						
209	2'-8"				PRIVACY						
210B	PAIR 2'-4"				PRIVACY						
211	2'-6"				PRIVACY						

OPENING SCHEDULE - LEVEL 1 - EXTERIOR DOORS											
MARKER	DIMENSION		FIRE RATING (MIN)	HARDWARE	TYPE	FRAME		DETAILS			REMARKS
	W	H				TYPE	FINISH	HEAD	JAMB	SILL	
111A	SEE ELEVATIONS	SEE ELEVATIONS	N/A	TBD	OVERHEAD SECTIONAL	N/A	N/A	TBD	TBD	TBD	
111B					OVERHEAD SECTIONAL	N/A	N/A	TBD	TBD	TBD	
102B					INSWING - FULL LITE	CLAD WOOD	BRONZE	SEE SHT AB.02	SEE SHT AB.02	FACTORY	
103B					SLIDING PATIO DOOR						
103C					SLIDING PATIO DOOR						
104B					OUTSWING - FULL LITE - DOUBLE DOOR						

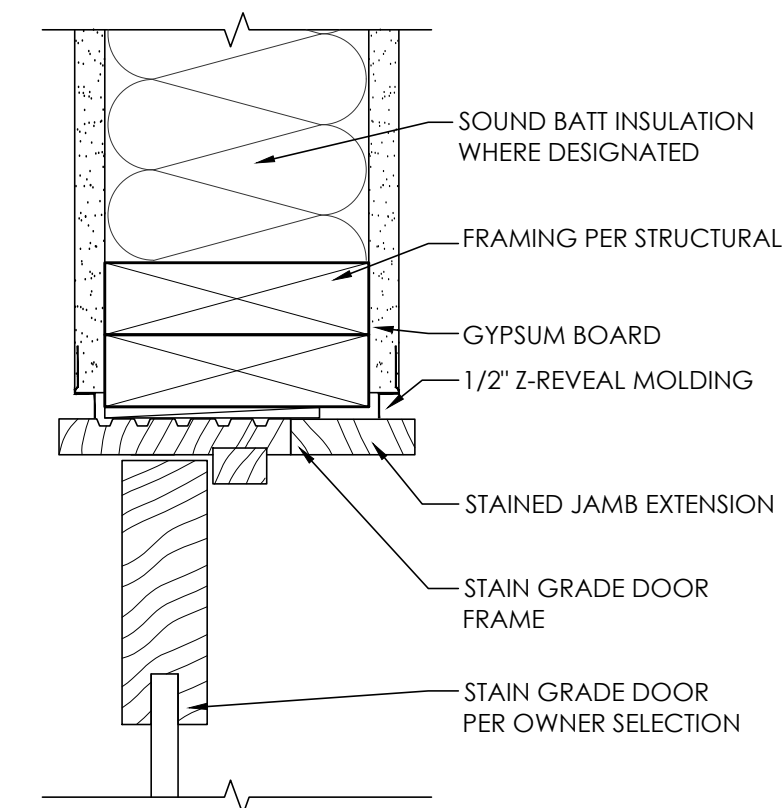
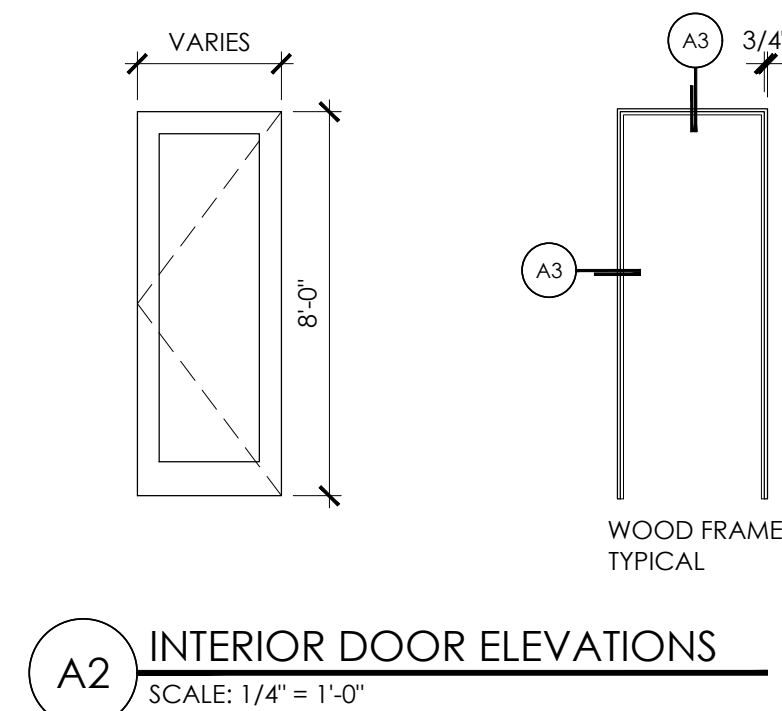
OPENING SCHEDULE - LEVEL 3 - INTERIOR DOORS											
MARKER	DIMENSION		FIRE RATING (MIN)	HARDWARE	TYPE	FRAME		DETAILS			REMARKS
	W	H				TYPE	FINISH	HEAD	JAMB	SILL	
300A	PAIR 2'-4"	8'-0"		TBD	PASSAGE / CLOSET	WOOD	STAINED	A3/A9.01	A3/A9.01	N/A	
300B	3'-0"				PASSAGE						
302	3'-0"				PASSAGE / CLOSET						
303A	PAIR 2'-4"				PASSAGE / CLOSET						
304	3'-0"				PASSAGE / CLOSET						
305A	5'-0"				BARN SLIDER						
305B	2'-8"				PRIVACY						
306	2'-6"				PRIVACY						
307	3'-0"				PRIVACY						
308	3'-0"				BARN SLIDER						
309	3'-0"				PASSAGE						
310	2'-6"				PRIVACY						
311	3'-0"				PASSAGE / CLOSET						
312	3'-0"				PRIVACY						
313	3'-0"				PRIVACY						
314	3'-0"				BARN SLIDER						
315	2'-6"				PRIVACY						

OPENING SCHEDULE - LEVEL 2 - EXTERIOR DOORS											
MARKER	DIMENSION		FIRE RATING (MIN)	HARDWARE	TYPE	FRAME		DETAILS			REMARKS
	W	H				TYPE	FINISH	HEAD	JAMB	SILL	
200A	SEE ELEVATIONS	SEE ELEVATIONS	N/A	TBD	INSWING - FULL LITE	CLAD WOOD	BRONZE	SEE SHT AB.02	SEE SHT AB.02	FACTORY	
202					STACKING BIFOLD						
204A					INSWING - FULL LITE						
205					INSWING - FULL LITE						
210A					OUTSWING - FULL LITE - DOUBLE DOOR						
210C					OUTSWING - FULL LITE - DOUBLE DOOR						

OPENING SCHEDULE - LEVEL 3 - EXTERIOR DOORS											
MARKER	DIMENSION		FIRE RATING (MIN)	HARDWARE	TYPE	FRAME		DETAILS			REMARKS
	W	H				TYPE	FINISH	HEAD	JAMB	SILL	
301	SEE ELEVATIONS	SEE ELEVATIONS	N/A	TBD	OUTSWING - FULL LITE - DOUBLE DOOR	CLAD WOOD	BRONZE	SEE SHT AB.02	SEE SHT AB.02	FACTORY	
303B					OUTSWING - FULL LITE						

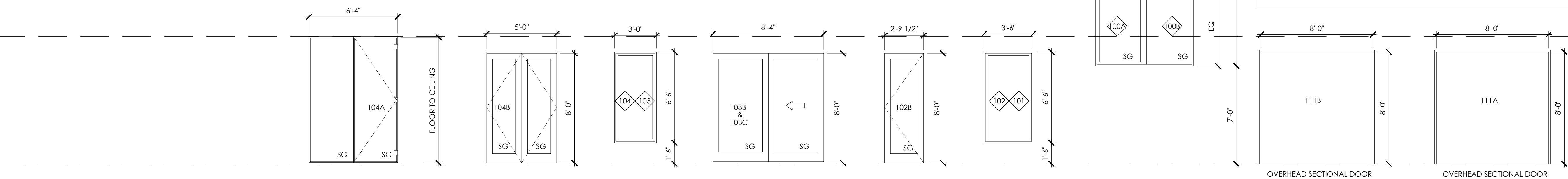
GENERAL FINISH NOTES

- 2012 IBC INTERIOR FINISH (CHAPTER 7, 8, 12 & 16)
- THE FACING OF ANY EXPOSED INSULATION MUST MEET A FLAME SPREAD INDEX OF 25 OR LESS IBC SECTION 719.2).
- REFER TO TABLE 721.1 FOR RATED FIRE RESISTANCE PERIODS FOR WALLS AND PARTITIONS (2012 IBC)
- THE MAXIMUM FLAME-SPREAD CLASS OF FINISH MATERIALS USED ON INTERIOR WALLS & CEILINGS SHALL NOT EXCEED THE FLAME-SPREAD LIMITATIONS OF IBC TABLE 803.9)
- INTERIOR WALL AND CEILING FINISH MATERIALS SHALL MEET WITH ASTM E84 OR UL 723
- INTERIOR FLOOR FINISHES TO COMPLY WITH 2012 IBC SECTION 804, AND NFPA 253
- INSULATION TO COMPLY WITH 2012 IBC SECTION 720
- DECORATIVE MATERIALS AND TRIMS SHALL BE RESTRICTED BY COMBUSTIBILITY AND THE FLAME PROPAGATION PERFORMANCE CRITERIA OF NFPA 701, IN ACCORDANCE WITH SECTION 806 (2012 IBC)



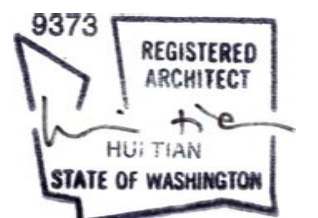
GENERAL NOTES

- ALL WINDOW DIMENSIONS ARE NOMINAL. REFER TO MANUFACTURERS RECOMMENDATIONS FOR ROUGH OPENING DIMENSIONS.
- CONTRACTOR TO VERIFY ALL DIMENSIONS IN THE FIELD AND NOTIFY ARCHITECT OF ANY DISCREPANCIES PRIOR TO FABRICATION.
- ALL GLAZING IN OR WITHIN 24" OF A DOOR, OR WITHIN 18" OF FLOOR, OR WITHIN 60" OF TUB FLOOR, GLAZING ADJACENT TO STAIRS AND STAIR LANDINGS, OR ANY OTHER HAZARDOUS AREA IS TO BE TEMPERED SAFETY GLAZING. PROVIDE SAFETY GLAZING WHERE REQUIRED PER APPLICABLE CODE REQUIREMENTS.
- DOORS AND CASED OPENINGS LOCATED NEAR WALL INTERSECTIONS SHALL BE LOCATED SO THAT THE EDGE OF FINISHED OPENING IS 3" FROM FACE OF NEARBY WALL, UNLESS NOTED OTHERWISE.
- ALL WINDOWS TO BE DOUBLE GLAZED WITH A MINIMUM U-VALUE OF 0.30 OR BETTER.
- SEE SHEETS A-301 AND A-302, EXTERIOR ELEVATIONS FOR OPENING DIRECTION OF OPERABLE UNITS.
- EACH BEDROOM WINDOW MUST BE 5.7 SF MINIMUM NET CLEAR AREA (GRADE FLOOR OPENINGS CAN BE MINIMUM NET CLEAR OPEN AREA OF 5 SF), WITH 20" MINIMUM CLEAR OPEN WIDTH, 24" CLEAR OPEN HEIGHT, 44" MAXIMUM SILL HEIGHT.
- CAULK AND SEAL ALL WINDOW AND DOOR OPENINGS AND EXTERIOR PENETRATIONS.
- MINIMUM 1/2" THROW ON DEAD BOLT OR DEAD LATCH FOR DOORS.
- NOT USED
- WINDOWS WITHIN 10' OF GRADE (OR ACCESSIBLE DECK) CAPABLE OF BEING LOCKED.
- MINIMUM 1 3/8" SOLID CORE OR 20 MINUTE DOOR REQUIRED BETWEEN GARAGE AND DWELLING.



CONSULTANT: _____

PROFESSIONAL SEAL: _____



PROJECT: _____

a project for:

PO BOX 1733 AUBURN, WA 98071
Phone: (206) 724-1072

EAST MERCER RESIDENCE

4634 EAST MERCER WAY
MERCER ISLAND, WA 98040

SHEET ISSUE: _____

6/24/2015	PERMIT SUBMITTAL
8/29/2016	PERMIT APPROVED
6/05/2017	REVISION TO PERMIT

MARK DATE DESCRIPTION

MUNICIPALITY REVIEW: _____

PROJECT # MERCER ISLAND 15 - 015

SHEET TITLE: _____

WINDOW & DOOR SCHEDULES

PROJECT NO.: 20140904

DATE ISSUED: 6/5/2017

SHEET NUMBER: _____

A9.01

OPENING SCHEDULE - LEVEL 2 - EXTERIOR WINDOWS										
MARKER	DIMENSION		HEAD HEIGHT ABOVE SUBFLOOR	TYPE	FRAME		DETAILS			REMARKS
	SEE ELEVATIONS	SEE ELEVATIONS			TYPE	FINISH	HEAD	JAMB	SILL	
200	SEE ELEVATIONS	SEE ELEVATIONS	SEE ELEVATIONS	PICTURE	CLAD WOOD	BRONZE	SEE SHT A8.02	SEE SHEET A8.02	SEE SHEET A8.02	SAFETY GLASS NOTED ON ELEVATIONS - TYP.
201				PICTURE						
202				PICTURE/TRANSOM						
203				PICTURE						
204				PICTURE						
205				CASEMENT						
206				PICTURE						
207				PICTURE						
208				PICTURE						
209				PICTURE						
210				CASEMENT						
211				PICTURE						
212				CASEMENT						
213				PICTURE						
214				CASEMENT						
215				PICTURE						
216				CASEMENT						
217				PICTURE						
218				PICTURE						
219				PICTURE						
220				PICTURE						
221				PICTURE						
222				PICTURE						
223				PICTURE						
224				PICTURE						
225				PICTURE						
226				CASEMENT						
227				PICTURE						
228				PICTURE						
229				PICTURE						
230	✓	✓	✓	PICTURE	✓	✓	✓	✓	✓	

OPENING SCHEDULE - LEVEL 2 - EXTERIOR WINDOWS										
MARKER	DIMENSION		HEAD HEIGHT ABOVE SUBFLOOR	TYPE	FRAME		DETAILS			REMARKS
	SEE ELEVATIONS	SEE ELEVATIONS			TYPE	FINISH	HEAD	JAMB	SILL	
231	SEE ELEVATIONS	SEE ELEVATIONS	SEE ELEVATIONS	PICTURE	CLAD WOOD	BRONZE	SEE SHT A8.02	SEE SHT A8.02	SEE SHT A8.02	SAFETY GLAZING NOTED ON ELEVATIONS - TYP.
232				PICTURE						
233				PICTURE						
234				PICTURE						
235				PICTURE						
236				PICTURE						
237				PICTURE						
238				CASEMENT						
239				CASEMENT						
240				CASEMENT						
241				CASEMENT						
242				CASEMENT						
243				PICTURE						
244				PICTURE						
245				CASEMENT						
246				CASEMENT						
247				PICTURE						
248				PICTURE						
249				TRANSOM						
250				PICTURE						
251				PICTURE						
252				PICTURE						
253				PICTURE						
254				PICTURE						
255				PICTURE						
256				PICTURE						
257				PICTURE						
.	✓	✓	✓		✓	✓	✓	✓	✓	

CONSULTANT: _____

PROFESSIONAL SEAL: _____



PROJECT: _____

a project for:

 PO BOX 1733 AUBURN, WA 98071
 Phone: (206) 724-1072

EAST MERCER RESIDENCE

4634 EAST MERCER WAY
 MERCER ISLAND, WA 98040

SHEET ISSUE: _____

6/24/2015	PERMIT SUBMITTAL
8/29/2016	PERMIT APPROVED
6/05/2017	REVISION TO PERMIT

MARK DATE DESCRIPTION

MUNICIPALITY REVIEW: _____

PROJECT # MERCER ISLAND 15 - 015

SHEET TITLE: _____

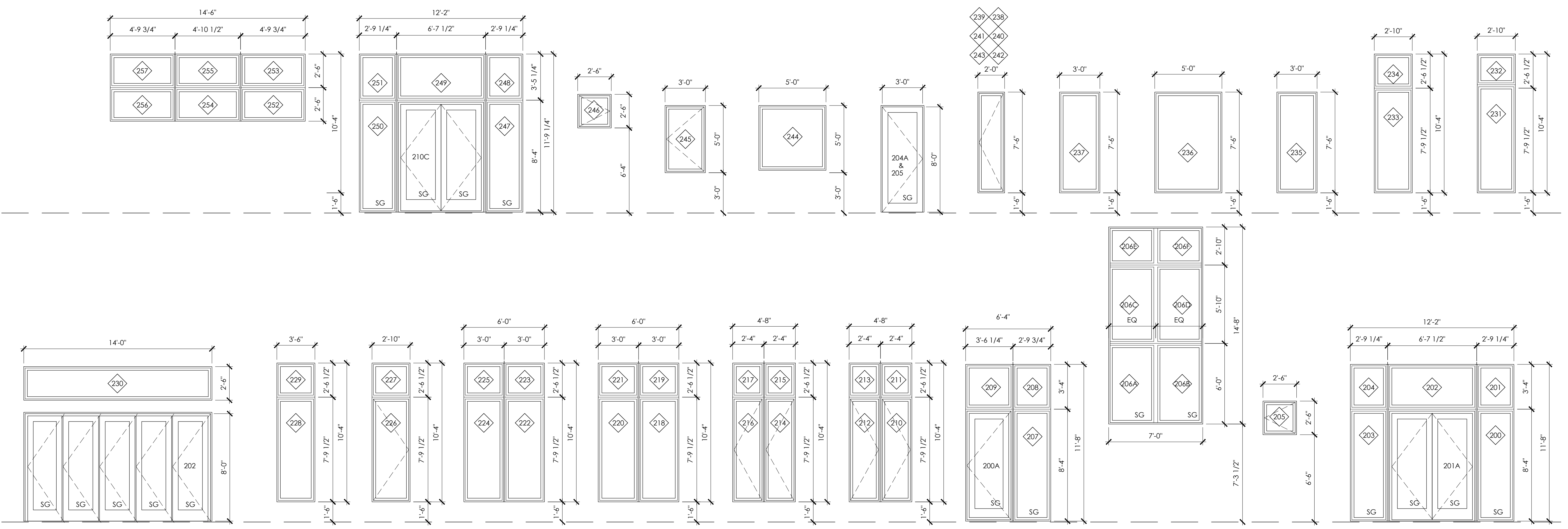
WINDOW SCHEDULE

PROJECT NO.: 20140904

DATE ISSUED: 6/05/2017

SHEET NUMBER: _____

A9.02



A1 EXTERIOR DOOR AND WINDOW ELEVATIONS - LEVEL 2
 SCALE: 1/4" = 1'-0"

CONSULTANT:

PROFESSIONAL SEAL:



PROJECT:

a project for:
Barcelo homes
PO BOX 1733 AUBURN, WA 98071
Phone: (206) 724-1072

EAST MERCER RESIDENCE

4634 EAST MERCER WAY
MERCER ISLAND, WA 98040

SHEET ISSUE:

6/24/2015	PERMIT SUBMITTAL
8/29/2016	PERMIT APPROVED
6/05/2017	REVISION TO PERMIT

MUNICIPALITY REVIEW:

PROJECT # MERCER ISLAND 15 - 015

SHEET TITLE:

COMPLIANCE WORKSHEET
WINDOW SCHEDULE

PROJECT NO.: 20140904

DATE ISSUED: 6/05/2017

SHEET NUMBER:

A9.04

Window, Skylight and Door Schedule

Project Information BARCELO HOMES 4634 East Mercer Way, Mercer Island, WA 98040 Single Family Residence	Contact Information Studio19 Architects Attn: Andrew Wisdom (206) 466-1225 207-1/2 First Avenue S, Seattle WA 98103
---	---

Component	Ref.	U-factor	Qt. Feet	Height Feet	Area	UA
Exempt Swinging Door (24 sq. ft. max.)					24.0	0.00
Exempt Glazed Fenestration (15 sq. ft. max.)					15.0	4.20

Vertical Fenestration (Windows and doors)

Component Description	Ref.	U-factor	Qt. Feet	Height Feet	Area	UA
First Floor					0.0	0.00
North Wall					79.3	22.21
Ganged Unit (100A, 100B, 100C, 100D)	0.28		1 7	11 4	79.3	22.21
East Wall					0.0	0.00
Picture Window 101			1 3	6 6	22.8	0.00
Picture Window 102			1 3	6 6	22.8	0.00
Door 102B	0.30		1 3	8 0	24.0	7.20
Door 103B	0.30		1 8	8 0	64.0	19.20
Door 103C	0.30		1 8	8 0	64.0	19.20
Picture Window 103	0.28		1 3	6 6	19.5	5.45
Door 106B	0.32		1 5	8 0	40.0	12.80
Picture Window 104	0.28		1 3	6 6	19.5	5.46
Second Floor					0.0	0.00
North Wall					0.0	0.00
Stacked Picture (200+201)	0.28		1 2	11 0	31.1	8.71
Stacked Door & Transom (201A+202)	0.30		1 6	11 0	75.8	22.75
Stacked Picture (203+204)	0.28		1 2	11 0	31.1	8.71
Casement Window 205	0.30		1 2	2 0	6.3	1.88
Ganged (206A, 206B, 206C, 206D, 206E, 206F)	0.28		1 7	14 0	102.7	28.75
Ganged Unit (200A, 207, 208, 209)	0.32		1 6	14 0	73.9	23.64
Ganged Unit (210, 211, 212, 213)	0.30		1 4	14 0	48.2	14.47
Ganged Unit (214, 215, 216, 217)	0.30		1 4	14 0	48.2	14.47
Stacked Picture (227 + 228)	0.28		1 2	10 4	29.3	8.20
East Wall					0.0	0.00
Ganged Unit (218, 219, 220, 221)	0.28		1 6	10 4	62.0	17.36
Ganged Unit (222, 223, 224, 225)	0.28		1 6	10 4	62.0	17.36
Stacked Picture (228 + 229)	0.28		1 2	10 4	29.3	8.20
Stacked Picture (231 + 232)	0.28		1 2	10 4	29.3	8.20
Stacking Bi-Fold Door 202	0.31		1 14	8 0	112.0	34.72
Picture Window 230	0.28		1 14	2 0	35.0	9.80
Picture Window 235	0.28		1 3	7 0	22.5	6.30
Picture Window 236	0.28		1 5	7 0	37.5	10.50
Picture Window 237	0.28		1 3	7 0	22.5	6.30
South Wall					0.0	0.00
Stacked Picture (227 + 228) & (233 + 234)	0.30		1 2	10 4	29.3	8.78
Casements (238, 239, 240, 241, 242, 243)	0.30		6 2	7 0	90.0	27.00
Picture Window 246	0.28		1 2	2 0	6.3	1.88
Stacked Picture (247 + 248)	0.28		1 2	11 0	31.1	8.71
Door & Transom (210C + 249)	0.30		1 6	14 0	73.9	22.17
Stacked Picture (250 + 251)	0.28		1 2	11 0	31.1	8.71
West Wall					0.0	0.00
Door 204A	0.30		1 3	8 0	24.0	7.20
Picture Window 244	0.28		1 5	5 0	25.0	7.00
Picture Window 245 (Exempt)					0.0	0.00
Door 205 (Exempt)					0.0	0.00
Mull Unit (252, 253, 254, 255, 256, 257)	0.28		1 14	5 0	73.7	20.64
Third Floor					0.0	0.00
North Wall					0.0	0.00
Stacked Picture (300+301)	0.30		1 3	10 4	36.2	10.85
Picture Window 302	0.28		1 4	2 8	12.4	3.48
Mulled Picture Unit (303, 304, 305, 306)	0.28		1 6	11 4	71.8	20.10
Stacked Picture (312+313)	0.30		1 2	10 12	34.0	10.20
East Wall					0.0	0.00
Ganged Picture Unit (307 +309)	0.28		1 6	8 0	50.7	14.19
Ganged Transom Unit (308+310)	0.28		1 6	2 0	15.8	4.43
Double Door 301	0.32		1 6	8 0	48.0	15.36
Transom Unit 311	0.28		1 6	2 0	15.0	4.20
Stacked Picture (314+315)	0.28		1 2	10 12	34.0	9.52
Ganged Unit (316, 317, 318, 319, 320, 321)	0.28		1 14	12 0	168.0	47.04
Stacked Picture (322+323)	0.28		1 3	12 0	42.0	11.76
Picture Window 324	0.28		1 6	6 4	40.1	11.23
South Wall					0.0	0.00
Door 303B	0.30		1 2	8 0	21.3	6.40
Picture Window 325	0.28		1 3	6 6	23.8	6.67
Casement Window 326	0.30		1 2	4 0	8.0	2.40
Casement Window 327	0.30		1 2	4 0	8.0	2.40
Casement Window 328	0.30		1 3	6 6	22.8	6.83
Casement Window 329	0.30		1 3	6 6	22.8	6.83
Picture Window 331	0.28		1 4	2 0	10.7	2.99
Stacked Picture (332+333)	0.28		1 2	10 12	29.3	8.20
West Wall					0.0	0.00
Picture Window 330	0.28		1 8	2 0	17.0	4.76
Stacked Picture (334+335)	0.28		1 5	10 4	51.7	14.47
Ganged Unit (336, 337, 338, 339)	0.28		1 7	4 10 4	75.8	21.22
Ganged Unit (340, 341, 342, 343)	0.28		1 7	4 10 4	75.8	21.22
Stacked Picture (344+345)	0.28		1 5	10 4	51.7	14.47
Overhead Glazing (Skylights)					0.0	0.00
Sum of Vertical Fenestration Area and UA					355.8	91.53
Vertical Fenestration Area Weighted U = UA/Area						0.26

Sum of Vertical Fenestration Area and UA
Vertical Fenestration Area Weighted U = UA/Area

Component Description	Ref.	U-factor	Qt. Feet	Height Feet	Area	UA
Overhead Glazing (Skylights)					0.0	0.00
Sum of Overhead Glazing Area and UA					0.0	0.00
Overhead Glazing Area Weighted U = UA/Area						0.00

Sum of Overhead Glazing Area and UA
Overhead Glazing Area Weighted U = UA/Area

Total Sum of Fenestration Area and UA (for heating system sizing calculations)
355.8 91.53

Window, Skylight and Door Schedule

Project Information BARCELO HOMES 4634 East Mercer Way, Mercer Island, WA 98040 Single Family Residence	Contact Information Studio19 Architects Attn: Andrew Wisdom (206) 466-1225 207-1/2 First Avenue S, Seattle WA 98103
---	---

Component	Ref.	U-factor	Qt. Feet	Height Feet	Area	UA
Exempt Swinging Door (24 sq. ft. max.)					24.0	7.68
Exempt Glazed Fenestration (15 sq. ft. max.)					15.0	4.20

Vertical Fenestration (Windows and doors)

Component Description	Ref.	U-factor	Qt. Feet	Height Feet	Area	UA
THIRD FLOOR					0.0	0.00
North Wall					0.0	0.00
Stacked Picture (300+301)	0.30		1 3	10 4	36.2	10.85
Picture Window 302	0.28		1 4	2 8	12.4	3.48
Mulled Picture Unit (303, 304, 305, 306)	0.28		1 6	11 4	71.8	20.10
Stacked Picture (312+313)	0.30		1 2	10 12	34.0	10.20
East Wall					0.0	0.00
Ganged Picture Unit (307 +309)	0.28		1 6	8 0	50.7	14.19
Ganged Transom Unit (308+310)	0.28		1 6	2 0	15.8	4.43
Double Door 301	0.32		1 6	8 0	48.0	15.36
Transom Unit 311	0.28		1 6	2 0	15.0	4.20
Stacked Picture (314+315)	0.28		1 2	10 12	34.0	9.52
Ganged Unit (316, 317, 318, 319, 320, 321)	0.28		1 14	12 0	168.0	47.04
Stacked Picture (322+323)	0.28		1 3	12 0	42.0	11.76
Picture Window 324	0.28		1 6	6 4	40.1	11.23
South Wall					0.0	0.00
Door 303B	0.30		1 2	8 0	21.3	6.40
Picture Window 325	0.28		1 3	6 6	23.8	6.67
Casement Window 326	0.30		1 2	4 0	8.0	2.40
Casement Window 327	0.30		1 2	4 0	8.0	2.40
Casement Window 328	0.30		1 3	6 6	22.8	6.83
Casement Window 329	0.30		1 3	6 6	22.8	6.83
Picture Window 331	0.28		1 4	2 0	10.7	2.99
Stacked Picture (332+333)	0.28		1 2	10 12	29.3	8.20
West Wall					0.0	0.00
Picture Window 330	0.28		1 8	2 0	17.0	4.76
Stacked Picture (334+335)	0.28		1 5	10 4	51.7	14.47
Ganged Unit (336, 337, 338, 339)	0.28		1 7	4 10 4	75.8	21.22
Ganged Unit (340, 341, 342, 343)	0.28		1 7	4 10 4	75.8	21.22
Stacked Picture (344+345)	0.28		1 5	10 4	51.7	14.47
Overhead Glazing (Skylights)					0.0	0.00
Sum of Vertical Fenestration Area and UA					986.5	281.20
Vertical Fenestration Area Weighted U = UA/Area						0.29

Sum of Vertical Fenestration Area and UA
Vertical Fenestration Area Weighted U = UA/Area

Component Description	Ref.	U-factor	Qt. Feet	Height Feet	Area	UA
Overhead Glazing (Skylights)					0.0	0.00
Sum of Overhead Glazing Area and UA					0.0	0.00
Overhead Glazing Area Weighted U = UA/Area						0.00

Sum of Overhead Glazing Area and UA
Overhead Glazing Area Weighted U = UA/Area

Total Sum of Fenestration Area and UA (for heating system sizing calculations)
986.5 281.20

Window, Skylight and Door Schedule

Project Information BARCELO HOMES 4634 East Mercer Way, Mercer Island, WA 98040 Single Family Residence	Contact Information Studio19 Architects Attn: Andrew Wisdom (206) 466-1225 207-1/2 First Avenue S, Seattle WA 98103
---	---

Component	Ref.	U-factor	Qt. Feet	Height Feet	Area	UA
Exempt Swinging Door (24 sq. ft. max.)	205	0.32			24.0	7.68
Exempt Glazed Fenestration (15 sq. ft. max.)	245	0.28			15.0	4.20

Vertical Fenestration (Windows and doors)

Component Description	Ref.	U-factor	Qt. Feet	Height Feet	Area	UA
SECOND FLOOR					0.0	0.00
North Wall					0.0	0.00
Stacked Picture (200+201)	0.28		1 2	11 0	31.1	8.71
Stacked Door & Transom (201A+202)	0.30		1 6	11 0	75.8	22.75
Stacked Picture (203+204)	0.28		1 2	11 0	31.1	8.71
Casement Window 205	0.30		1 2	2 0	6.3	1.88
Ganged (206A, 206B, 206C, 206D, 206E, 206F)	0.28		1 7	14 0	102.7	28.75
Ganged Unit (200A, 207, 208, 209)	0.32		1 6	14 0	73.9	23.64
Ganged Unit (210, 211, 212, 213)	0.30		1 4	14 0	48.2	14.47
Ganged Unit (214, 215, 216, 217)	0.30		1 4	14 0	48.2	14.47
Stacked Picture (227 + 228)	0.28		1 2	10 4	29.3	8.20
East Wall					0.0	0.00
Ganged Unit (218, 219, 220, 221)	0.28		1 6	10 4	62.0	17.36
Ganged Unit (222, 223, 224, 225)	0.28		1 6	10 4	62.0	17.36
Stacked Picture (228 + 229)	0.28		1 2	10 4	29.3	8.20
Stacked Picture (231 + 232)	0.28		1 2	10 4	29.3	8.20
Stacking Bi-Fold Door 202	0.31		1 14	8 0	112.0	34.72
Picture Window 230	0.28		1 14	2 0	35.0	9.80
Picture Window 235	0.28		1 3	7 0	22.5	6.30
Picture Window 236	0.28					

GENERAL STRUCTURAL NOTES

- ALL MATERIALS, WORKMANSHIP, DESIGN, AND CONSTRUCTION SHALL CONFORM TO THE DRAWINGS, SPECIFICATIONS, THE INTERNATIONAL BUILDING CODE (2012 EDITION) AND MODIFICATIONS TO THE INTERNATIONAL BUILDING CODE, BY THE LOCAL JURISDICTION.

DESIGN LOAD CRITERIA

DEAD LOADS

ROOF	25 PSF
FLOORS	N/A
DECKS	N/A
EXTERIOR WALLS	10 PSF
INTERIOR WALLS	8 PSF

LIVE LOADS

ROOF	20 PSF
FLOOR / LIVING SPACE	N/A
DECKS / BALCONIES	N/A

SNOWLOADS

GROUND LOAD	25 PSF
ROOF SNOW LOAD	25 PSF
EXPOSURE FACTOR	C _c = 0.9
IMPORTANCE FACTOR	I _s = 1.0
THERMAL FACTOR	C _t = 1.0

WIND

ULTIMATE DEIGN WIND SPEED (V _{ult})	110 MPH
ASD WIND SPEED (V _{asd})	85 MPH
WIND EXPOSURE	C
IMPORTANCE FACTOR I _w	1.0
ADJUSTMENT FACTOR λ	1.0
WIND SPEED UP FACTOR	1.0
ROOF SLOPE	flat

SEISMIC

SEISMIC USE GROUP	I
IMPORTANCE FACTOR I _e	1.0
SITE CLASS	D
SEISMIC DESIGN CATEGORY	D
RESPONSE FACTOR FOR LIGHT FRAME CONSTRUCTION	R = 6.5
RESPONSE FACTOR FOR ORDINARY STEEL MOMENT FRAME	R = 3.5
MAPPED ACCELERATION (PER USGS)	S _s = 1.276
BASE SHEAR	V = 29,350
SEISMIC RESPONSE COEFFICIENT	C _s = 0.131

PER GEOTECHNICAL REPORT FILE NO. 14-128, 02/02/2015, PanGEO

ALL SOIL PRESURE	2,500 PSF
FRICTION COEFFICIENT	0.4
EQUIVALENT FLUID PRESSURE AT REST	35 PSF
AT REST WITH BACKSLOPE	45 PSF
PASSIVE SEISMIC HORIZONTAL PRESSURE (PASSIVE)	55 PSF
	300 PSF
	8H
	375 pcf

- STRUCTURAL DRAWINGS SHALL BE USED IN CONJUNCTION WITH ARCHITECTURAL DRAWINGS FOR BIDDING AND CONSTRUCTION. CONTRACTOR SHALL VERIFY DIMENSIONS AND CONDITIONS FOR COMPATIBILITY AND SHALL NOTIFY ARCHITECT AND STRUCTURAL ENGINEER OF ANY DISCREPANCIES PRIOR TO CONSTRUCTION.
- CONTRACTOR SHALL VERIFY ALL EXISTING DIMENSIONS, MEMBER SIZES, AND CONDITIONS PRIOR TO COMMENCING WORK. ALL DIMENSIONS OF EXISTING CONSTRUCTION SHOWN ON THE DRAWINGS ARE INTENDED AS GUIDELINES ONLY AND MUST BE VERIFIED.
- CONTRACTOR SHALL PROVIDE TEMPORARY BRACING FOR THE STRUCTURE AND STRUCTURAL COMPONENTS UNTIL ALL FINAL CONNECTIONS HAVE BEEN COMPLETED IN ACCORDANCE WITH THE PLANS.
- CONTRACTOR SHALL BE RESPONSIBLE FOR ALL SAFETY PRECAUTIONS AND THE METHODS, TECHNIQUES, SEQUENCES OR PROCEDURES REQUIRED TO PERFORM THE CONTRACTORS WORK. THE STRUCTURAL ENGINEER HAS NO OVERALL SUPERVISORY AUTHORITY OR ACTUAL AND/OR DIRECT RESPONSIBILITY FOR THE SPECIFIC WORKING CONDITIONS AT THE SITE AND/OR FOR ANY HAZARDS RESULTING FROM THE ACTIONS OF ANY TRADE CONTRACTOR. THE STRUCTURAL ENGINEER HAS NO DUTY TO INSPECT, SUPERVISE, NOTE, CORRECT, OR REPORT ANY HEALTH OR SAFETY DEFICIENCIES OF THE OWNER, CONTRACTORS, OR OTHER SITE ENTITIES OR PERSONS AT THE PROJECT SITE.
- CONTRACTOR-INITIATED CHANGES SHALL BE SUBMITTED IN WRITING TO THE ARCHITECT AND STRUCTURAL ENGINEER FOR APPROVAL PRIOR TO FABRICATION OR CONSTRUCTION. CHANGES SHOWN ON SHOP DRAWINGS ONLY WILL NOT SATISFY THIS REQUIREMENT.
- DRAWINGS INDICATE GENERAL AND TYPICAL DETAILS OF CONSTRUCTION. WHERE CONDITIONS ARE NOT SPECIFICALLY INDICATED BUT ARE OF SIMILAR CHARACTER TO DETAILS SHOWN, SIMILAR DETAILS OF CONSTRUCTION SHALL BE USED, SUBJECT TO REVIEW AND APPROVAL BY THE ARCHITECT AND THE STRUCTURAL ENGINEER.
- ALL STRUCTURAL SYSTEMS WHICH ARE TO BE COMPOSED OF COMPONENTS TO BE FIELD ERECTED SHALL BE SUPERVISED BY THE SUPPLIER DURING MANUFACTURING, DELIVERY, HANDLING, STORAGE AND ERECTION IN ACCORDANCE WITH INSTRUCTIONS PREPARED BY THE SUPPLIER.

FOUNDATIONS

- ALL FOOTINGS AND FOUNDATIONS SHALL BE SUPPORTED BY COMPETENT NATIVE SOIL 18" BELOW FINISHED GRADE FOR EXTERIOR SIDE AND 12" FOR INTERIOR FOOTINGS, FREE OF ORGANIC MATERIALS. OVEREXCAVATION MIGHT BE NEEDED TO REACH THE COMPETENT SOIL.
- FOOTINGS AND FOUNDATION EXCAVATION SHALL BE FREE OF LOOSE SOILS, SLOUGHS, DEBRIS, AND FREE OF WATER AT ALL TIMES.
- FOUNDATION WALL BACKFILL SHALL BE PLACED SIMULTANEOUSLY ON BOTH SIDES OF WALL PROVIDING 4" PERFORATED PIPE (AS REQUIRED) FOR SUBSURFACE DRAINAGE.
- U.N.O. IN AN APPROVED GEOTECHNICAL REPORT, THE FOLLOWING METHOD FOR BACKFILL PLACEMENT AND COMPACTION IS TO BE USED:

EXCEPT FOR BACKFILL AGAINST BELOW-GRADE WALLS OR RETAINING WALLS, ALL OTHER STRUCTURAL FILL AND STRUCTURAL BACKFILL MATERIALS SHALL BE PLACED IN RELATIVELY HORIZONTAL LOOSE LIFTS NOT EXCEEDING 10 INCHES IN THICKNESS AND COMPACTED TO AT LEAST 95 PERCENT OF THE MODIFIED PROCTOR (ASTM D1557) MAXIMUM DENSITY AT MOISTURE CONTENTS WITHIN TWO (2) PERCENT OF OPTIMUM. THE SPECIFIED COMPACTION DENSITY AND MOISTURE CONTENT OF EACH LIFT MUST BE VERIFIED BY INSPECTION, PRIOR TO PLACEMENT OF SUBSEQUENT LIFTS. BACKFILL AGAINST BELOW-GRADE WALLS AND RETAINING WALLS SHOULD BE COMPACTED AS DESCRIBED ABOVE TO ONLY 90 PERCENT OF THE MAXIMUM DRY DENSITY AS DETERMINED BY ASTM D1557.

- FOOTING SIZE SHALL BE AS INDICATED ON DRAWINGS OR MIN. AS PER IBC SECTION 1806.
- WHERE THE SURFACE IS SLOPED MORE THAN ONE (1) FOOT IN TEN (10) FEET THE FOUNDATION SHALL BE LEVEL OR STEPPED SO THAT BOTH, TOP AND BOTTOM, OF SUCH FOUNDATION ARE LEVEL PER IBC.
- WHERE STRUCTURAL COLUMNS AND POSTS ARE EXPOSED TO WATER SPLASH ABOVE, A CONCRETE SURFACE OR TO THE WEATHER, PROVIDE A MIN. OF 1" ABOVE CONCRETE SURFACE, OR 8" ABOVE THE EXPOSED EARTH PER IBC.

CONCRETE

- CONCRETE SHALL BE MIXED, PROPORTIONED, CONVEYED AND PLACED IN ACCORDANCE WITH IBC SECTION 1905, 1906, AND ACI 301. STRENGTH AT AGE 28 DAYS AND MIX CRITERIA SHALL BE AS FOLLOWS, U.N.O.:

MEMBER TYPE (IN) PSI MAX AGGR. MAX W/C RATIO

SLABS ON GRADE 2,500 1 0.45
FOUNDATIONS 2,500 1 0.45
WALLS 4,500 1 0.50
COLUMNS 4,500 ¾ 0.40
ELEVATED SLABS & BEAMS 4,500 ¾ 0.40
- CONCRETE MIX FOR FOUNDATION AND SLAB:
CEMENT: 5.5 SACK TYPE I NORMAL PORTLAND CEMENT
1,210 LBS OF WET SAND
1,925 LBS GRAVEL
- REINFORCING STEEL SHALL CONFORM TO ASTM A615, GRADE 60, F_y = 60,000 PSI, UNLESS NOTED OTHERWISE. WELDED WIRE FABRIC SHALL CONFORM TO ASTM-185.
- DETAILING OF REINFORCING STEEL (INCLUDING HOOKS AND BENDS) SHALL BE IN ACCORDANCE WITH ACI 315-92 AND ACI 318-08. LAP ALL REINFORCEMENTS IN ACCORDANCE WITH "THE REINFORCING SPLICE AND DEVELOPMENT LENGTH SCHEDULE". PROVIDE CORNER BARS AT ALL WALL AND FOOTING INTERSECTIONS. LAP ADJACENT MATS OF WELDED WIRE FABRIC A MINIMUM OF 8" AT SIDES AND ENDS.
- NO BARS PARTIALLY EMBEDDED IN HARDENED CONCRETE SHALL BE FIELD BENT UNLESS SPECIFICALLY SO DETAILED AND APPROVED BY THE STRUCTURAL ENGINEER.
- CONCRETE PROTECTION (COVER) FOR REINFORCING STEEL SHALL BE AS FOLLOWS:

FOOTINGS AND OTHER UNFORMED SURFACES CAST AGAINST AND PERMANENTLY EXPOSED TO EARTH 3"
FORMED SURFACES EXPOSED TO EARTH OR WEATHER (NO. 6 BARS OR LARGER) 2"
(NO 5 BARS OR SMALLER) 1-1/2"
COLUMN TIES OR SPIRALS AND BEAM STIRRUPS 1-1/2"
SLABS AND WALLS: GREATER OF BAR DIAMETER + 1/8 OR 3/4"

- CAST-IN-PLACE CONCRETE: SEE ARCHITECTURAL DRAWINGS FOR EXACT LOCATIONS AND DIMENSIONS OF DOOR AND WINDOW OPENINGS IN ALL CONCRETE WALLS. SEE MECHANICAL DRAWINGS FOR SIZE AND LOCATION OF MISCELLANEOUS MECHANICAL OPENINGS THROUGH CONCRETE WALLS.
- NON-SHRINK GROUT SHALL BE FURNISHED BY AN APPROVED MANUFACTURER AND SHALL BE MIXED AND PLACED IN STRICT ACCORDANCE WITH THE MANUFACTURER'S PUBLISHED RECOMMENDATIONS. GROUT STRENGTH SHALL BE AT LEAST EQUAL TO THE MATERIAL ON WHICH IT IS PLACED (2,500 PSI MIN).

ANCHORAGE

- POXY-GROUTED ITEMS (THREADED RODS OR REINFORCING BARS) SPECIFIED ON THE DRAWINGS SHALL BE INSTALLED WITH SIMPSON EPOXY "SET-XP" OR EQUAL. SPECIAL INSPECTION IS REQUIRED. RODS SHALL BE ASTM A-36 UNLESS NOTED OTHERWISE.
- DRIVEN PINS AND OTHER POWDER ACTUATED FASTENERS SHALL BE LOW VELOCITY TYPE. INSTALL IN STRICT ACCORDANCE WITH THE MANUFACTURER'S RECOMMENDATIONS. MINIMUM EMBEDMENT IN CONCRETE SHALL BE 1" UNLESS OTHERWISE NOTED. MAINTAIN AT LEAST 3" TO NEAREST CONCRETE

STEEL

- STRUCTURAL STEEL FABRICATION, ERECTION AND WELDING INSPECTION SHALL COMPLY WITH THE SPECIAL INSPECTION SCHEDULE.
- STRUCTURAL STEEL SHALL BE GRADE A-36 UNLESS NOTED OTHERWISE.
- ARCHITECTURALLY EXPOSED STEEL SHALL CONFORM TO SECTION 10 OF THE AISC CODE OF STANDARD PRACTICE FOR STEEL BUILDINGS AND BRIDGES.
- ALL ANCHORS EMBEDDED IN MASONRY OF CONCRETE SHALL BE A307 HEADED BOLTS OR A36 THREADED ROD.
 - ALL WELDING SHALL BE IN CONFORMANCE WITH AISC AND A.W.S STANDARDS AND SHALL BE PERFORMED BY W.A.B.O. CERTIFIED WELDERS USING E70 XX ELECTRODES. ONLY PREQUALIFIED WELDS (AS DEFINED BY A.W.S.) SHALL BE USED ALL COMPLETE JOINT PENETRATION GROOVE WELDS SHALL BE MADE WITH A FILLER MATERIAL THAT HAS A MINIMUM CVN TOUGHNESS OF 20 FT LBS AT -20 DEGREES F, AS DETERMINED BY AWS CLASSIFICATION OR MANUFACTURER CERTIFICATION
 - WELDING INSPECTION SHALL BE IN COMPLIANCE WITH AWS D1.1.

WOOD

- ALL SOLID LUMBER TO BE GRADED BY WCLIB OR WWSA. ALL LUMBER SHALL BE HEM-FIR #2 (HF #2) OR BETTER. ALL SOLID LUMBER 5" X 4" OR LARGER SHALL BE DOUGLAS FIR #2 (DF #2) U.N.O. ALL GLUE-LAMINATED LUMBER SHALL BE GLULAM 24F-1.8E WS.

DESIGN VALUES FOR GLULAM BEAMS

FLEXURAL STRESS TENSION ZONE 2,400 PSI
FLEXURAL STRESS COMPRESSION ZONE 1,850 PSI
COMPRESSION PERPENDICULAR TO GRAIN 650 PSI
SHEAR 266 PSI
APPARENT E 1.8x16 lb-in²
TRUE E 1.9x10 lb-in²
- LUMBER IN CONTACT WITH CONCRETE AND ALL EXTERIOR WOOD SHALL BE PRESSURE TREATED, ALL CONNECTORS GALVANIZED.
- INSTALL SOLID BLOCKING BTWN JOISTS AT ALL BEARING POINTS.
- THROUGH BOLTS AND LAG BOLTS SHALL BE ASTM A307. PROVIDE MALLEABLE IRON WASHER AT ALL BOLT AND LAG BOLT LOATIONS. PROVIDE CUT WASHER FOR ALL BOLTS PROTRUDING BEARING WOOD.
- ALL METAL (CONNECTORS, NAILS, BOLTS, ETC.) IN CONTACT WITH P.T. WOOD SHALL BE HOT DIPPED GALVANIZED.
- U.N.O. CONNECTORS AND FASTENERS SHALL COMPLY WITH IBC TABLE 2304.9.1

OPEN WEB TRUSSES

- PER IBC 2012 1704.2.2, PREFABRICATED OPEN-WEB JOISTS SHALL BE FABRICATED BY A REGISTERED AND APPROVED FABRICATOR. AT COMPLETION OF FABRICATION, THE APPROVED FABRICATOR SHALL SUBMIT A CERTIFICATE OF COMPLIANCE TO THE BUILDING OFFICIAL STATING THAT THE WORK WAS PERFORMED IN ACCORDANCE WITH THE APPROVED CONSTRUCTION DOCUMENTS.

NOTE:


NO STRUCTURAL CHANGES FROM THE APPROVED PLANS SHALL BE MADE IN THE FIELD UNLESS PRIOR TO MAKING CHANGES, WRITTEN APPROVAL IS OBTAINED FROM THE ENGINEER OF RECORD. IF CHANGES ARE MADE WITHOUT WRITTEN APPROVAL, SUCH CHANGES SHALL BE THE LEGAL AND FINANCIAL RESPONSIBILITY OF THE CONTRACTOR OR SUB-CONTRACTORS INVOLVED AND SHALL BE THEIR RESPONSIBILITY TO REPLACE OR REPAIR THE CONDITION AS DIRECTED BY THE ENGINEER.

COMPARISON OF COMMON, BOX AND SINKER NAIL DIMENSIONS (inches) OF THE SAME PENNYWEIGHT.						
TYPE	FEATURE	PENNYWEIGHT				
		6d	8d	10d	12d	16d
COMMON	Length	2	2-1/2	3	3-1/4	3-1/2
	Diameter	0.113	0.131	0.148	0.148	0.162
	Head	0.226	0.281	0.312	0.312	0.344
BOX	Length	2	2-1/2	3	3-1/4	3-1/2
	Diameter	0.099	0.113	0.128	0.128	0.135
	Head	0.266	0.297	0.312	0.312	0.344
SINKER	Length	1-7/8	2-3/8	2-7/8	3-1/8	3-1/4
	Diameter	0.092	0.113	0.120	0.135	0.148
	Head	0.231	0.266	0.281	0.312	0.344

PROTECTION FOR REINFORCEMENT OF CAST IN-PLACE CONCRETE	MIN. COVER
Concrete cast against and permanently exposed to earth	3"
Concrete exposed to earth or weather	
Wall panels: No. 6 through No. 18 bars No. 5 bars, W31 or D31 wire, and smaller	2" 1 1/2"
Concrete exposed to neither earth or weather Slabs, walls, and joists: No. 14 and no. 18 bars No. 11 and smaller bars	1 1/2" 3/4"
Beams and Columns: Primary reinforcement, ties, stirrups, and spirals	1 1/2"
Shells and folded-plate members: No. 6 bars and larger	3/4"
No. 5 bars, W31 or D31 or smaller	3/4"



REVISION 07/13/16

 tec instruct LLC 6830 NE Bothell Way - Suite C, PMB 181, Kenmore, WA 98028 Telephone (206) 553 9076 - Fax (206) 529 4408 ENGINEERING		
BUILDER:	Barcelo Homes	S1
JOB SITE:	4634 E Mercer Way, Mercer Island	
PARCEL NO.:	WA 98040	
DESCRIPTION:	new SFR	
DATE:	03/11/15 SCALE: as noted	
ENGINEER:	Roland Heimisch, P. E.	

Statement of special inspections

General

The owner shall comply an approved agency for the special inspections for the construction of this project

A quality assurance and inspection plan from an AISC approved fabricator is required to satisfy the inspection requirements.

The following systems and components shall be inspected

Type Standard

At completion of fabrication, the approved fabricator shall submit a certificate of compliance to the building official stating that the work was performed in accordance with the approved construction documents

Special inspections for structural steel

Steel sections, steel grade, location of installation all elements AISC 360

Special inspections for steel construction other than structural steel

Inspection of welding periodic AWS D1.3

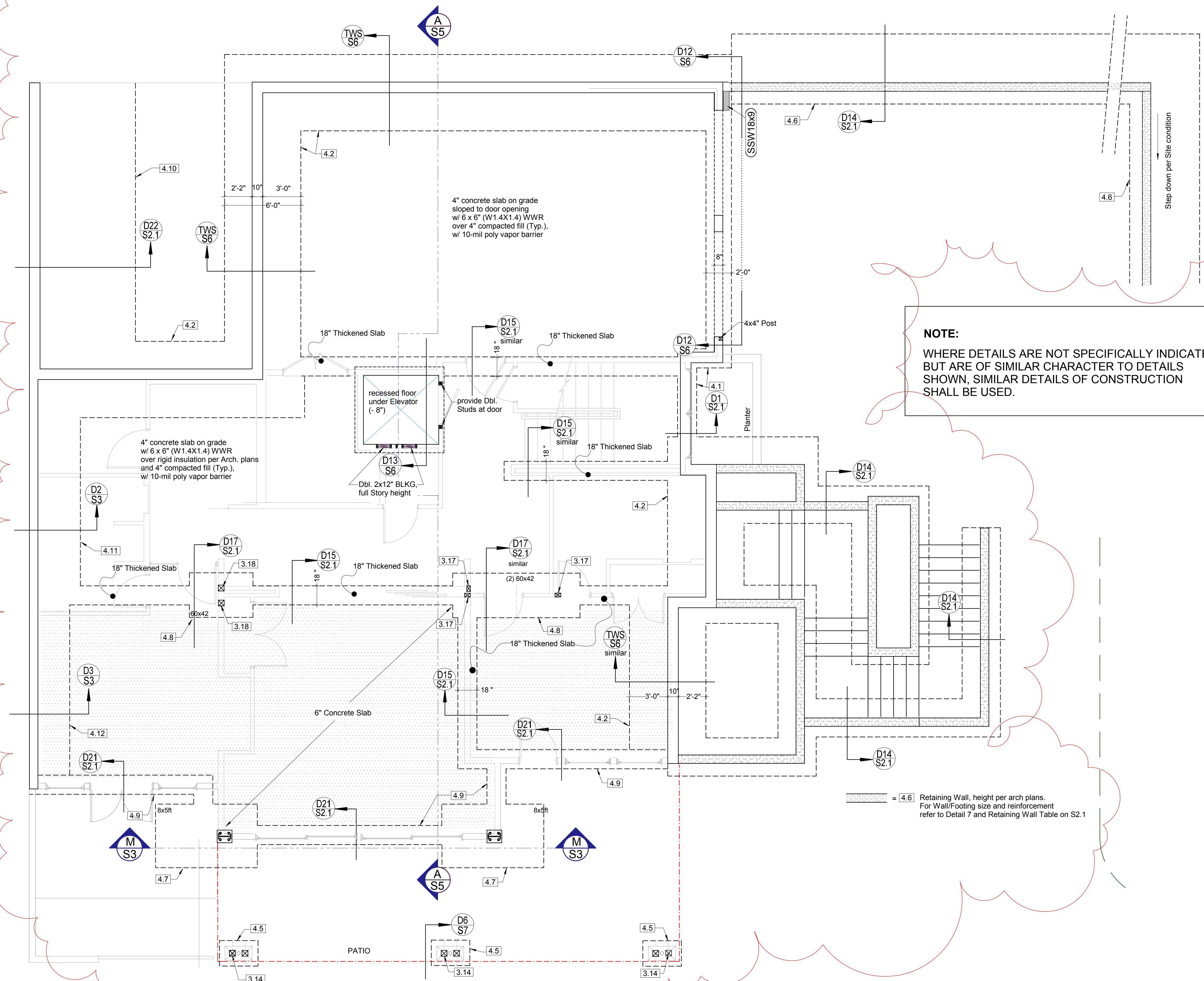
Special inspections for concrete construction

Inspection of reinforcing steel	periodic	ACI 318 3.5, 7.1-7.7
Inspection of anchors post-installed in hardened concrete members	periodic	ACI 318 3.8.6, 8.13, 21.2.8
Verifying use of required design mix	periodic	ACI 318 Ch 4,5.2-5.4
Inspect formwork for shape, locations, and dimensions	periodic	ACI 318 6.1.1



REVISION 05/29/16

<p>tec instruct LLC <small>6830 NE Bothell Way - Suite C, PMB 181, Kenmore, WA 98028 Telephone (206) 553 9076 - Fax (206) 529 4408</small></p> <p>ENGINEERING</p>		
BUILDER:	Barcelo Homes	S1.1
JOB SITE:	4634 E Mercer Way, Mercer Island	
PARCEL NO.:	WA 98040	
DESCRIPTION:	new SFR	
DATE:	03/11/15 SCALE: as noted	
ENGINEER:	Roland Heimisch, P. E.	



KEY NO.	STRUCTURAL MEMBERS
FOUNDATION	
4.1	Cont. Footing, fc = 2,500 psi, 18x12"
4.2	Basement Wall 10" w/ Cont. Footing fc = 2,500 psi, 72x16"
4.3	Basement Wall 8" w/ Cont. Footing fc = 2,500 psi, 48x12"
4.4	Basement Wall 8" w/ Cont. Footing fc = 2,500 psi, 36x12"
4.5	Spread Footing, fc = 2,500 psi, 24x24x10"
4.6	Retaining Wall, fc = 2,500 psi, 8" wall thickness, Ftg size and reinforcement per Detail 14/Table S2.1
4.7	Spread Footing under Moment Frame fc = 2,500 psi, 8ftx5ftx2ft
4.8	Spread Footing, fc = 2,500 psi, 60x48x10"
4.9	Cont. Footing, fc = 2,500 psi, 18x18"
4.10	Retaining Wall, fc = 2,500 psi, 8" wall w/ Ftg 8'-4"x1'-4"
4.11	Retaining Wall, fc = 2,500 psi, 8" wall w/ Ftg 48x10"
4.12	Retaining Wall, fc = 2,500 psi, 8" wall w/ Ftg 38x12"



REVISION 06/18/17

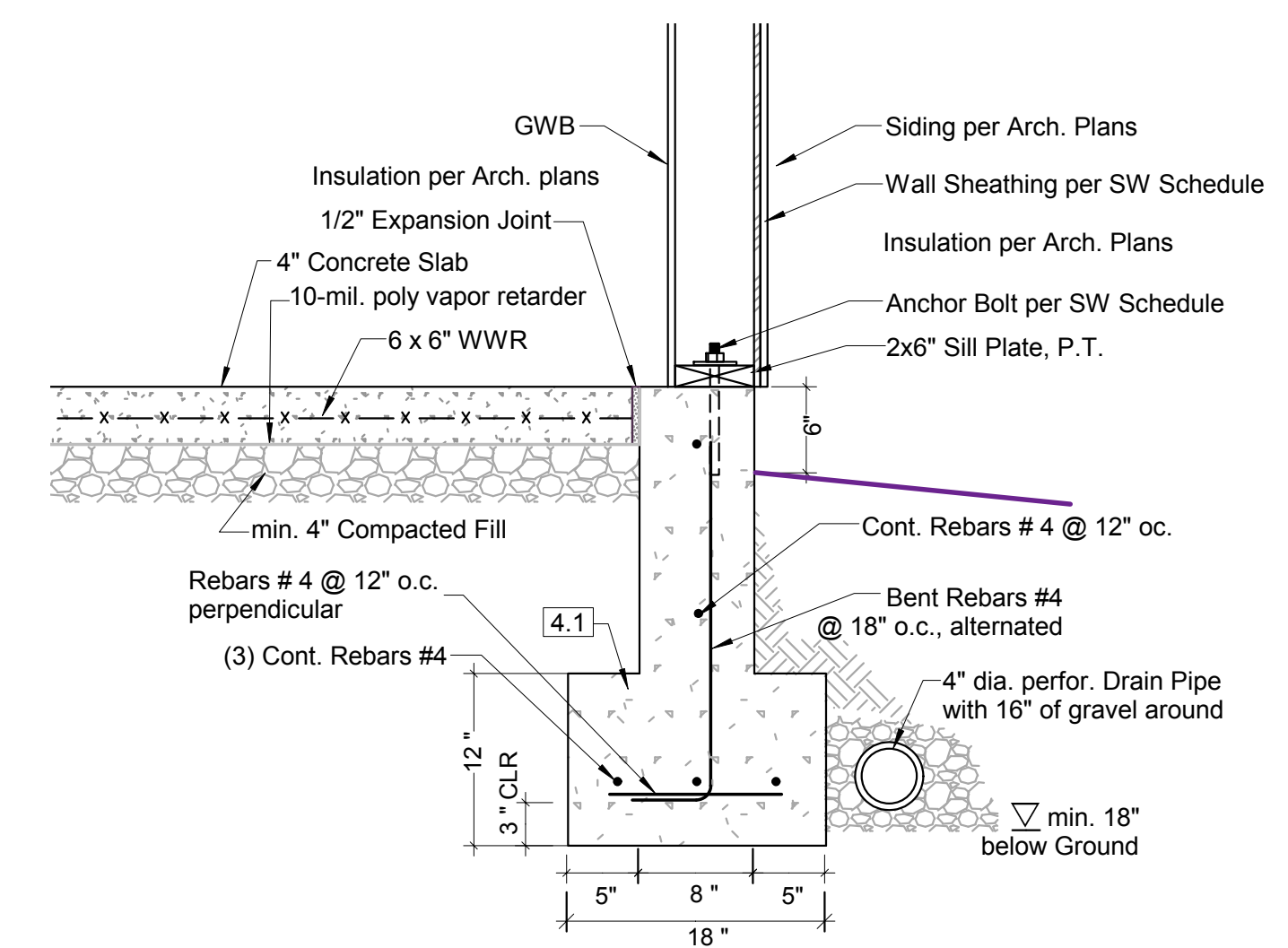
tec instruct LLC 6830 NE Bothell Way - Suite C, PMB 181, Kenmore, WA 98028 Telephone (206) 553 9076 - Fax (206) 529 4408 ENGINEERING		
BUILDER:	Barcelo Homes	SHEET
JOB SITE:	4634 E Mercer Way, Mercer Island	S2
PARCEL NO.:	WA 98040	
DESCRIPTION:	new SFR	
DATE:	03/11/15	SCALE: as noted
ENGINEER:	Roland Heimisch, P. E.	

RETAINING WALL SCHEDULE

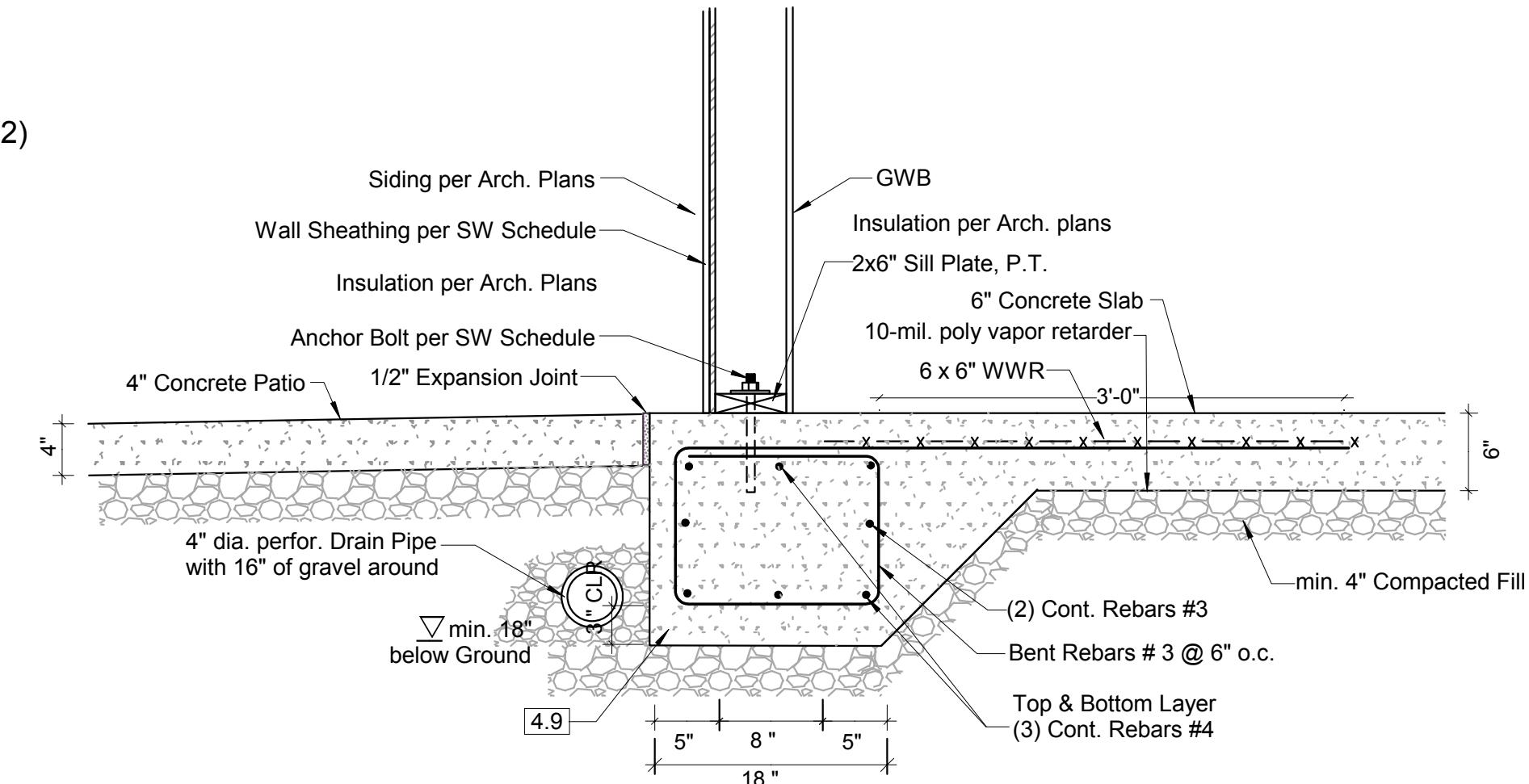
H (ft.)	B1	ts	B2	tf	Stem Reinforcing			Footing Reinforcing			
					horiz.	vert.	splice	Top Layer		Bottom Layer	
								cont.	perp.	cont.	perp.
3'-0"	1'-0"	8"	1'-0"	12"	#4 @ 12" o.c.	#4 @ 12" o.c.	2ft	-	-	(2) #4	#4 @ 12" o.c.
4'-0"	1'-0"	8"	1'-4"	12"	#4 @ 12" o.c.	#4 @ 12" o.c.	2ft	-	-	(3) #4	#4 @ 12" o.c.
5'-0"	1'-4"	8"	1'-6"	10"	#4 @ 12" o.c.	#4 @ 16" o.c.	3ft	-	-	(3) #4	#4 @ 16" o.c.
6'-0"	1'-4"	8"	2'-0"	10"	#4 @ 12" o.c.	#4 @ 12" o.c.	3ft	-	-	(4) #4	#4 @ 12" o.c.
8'-0"	1'-10"	8"	2'-9"	12"	#4 @ 12" o.c.	#5 @ 9" o.c.	3ft	(6) #4	#4 @ 9" o.c.	(6) #4	#4 @ 9" o.c.
10'-0"	2'-0"	10"	3'-10"	14"	#5 @ 12" o.c.	#5 @ 8" o.c.	4ft	(8) #4	#5 @ 8" o.c.	(8) #4	#4 @ 8" o.c.
12'-0"	2'-6"	10"	4'-2"	10"	#5 @ 12" o.c.	#6 @ 6" o.c.	4ft	(8) #4	#5 @ 6" o.c.	(8) #4	#4 @ 6" o.c.

RETAINING WALL WITH SLOPED BACKFILL

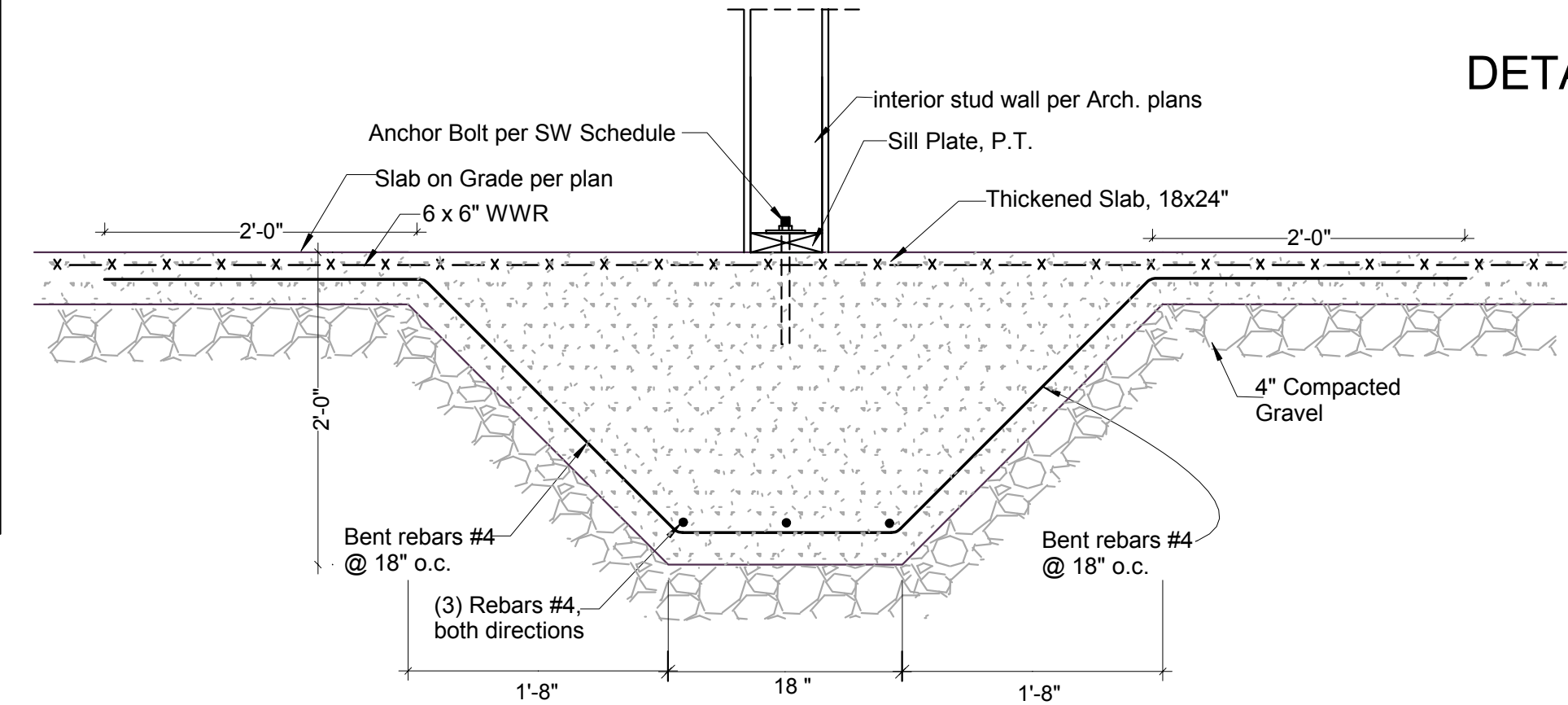
12'-0"	3'-0"	12"	5'-0"	16"	#5 @ 12" o.c.	#6 @ 6" o.c.	4ft	(8) #4	#5 @ 6" o.c.	(8) #4	#4 @ 6" o.c.
--------	-------	-----	-------	-----	---------------	--------------	-----	--------	--------------	--------	--------------



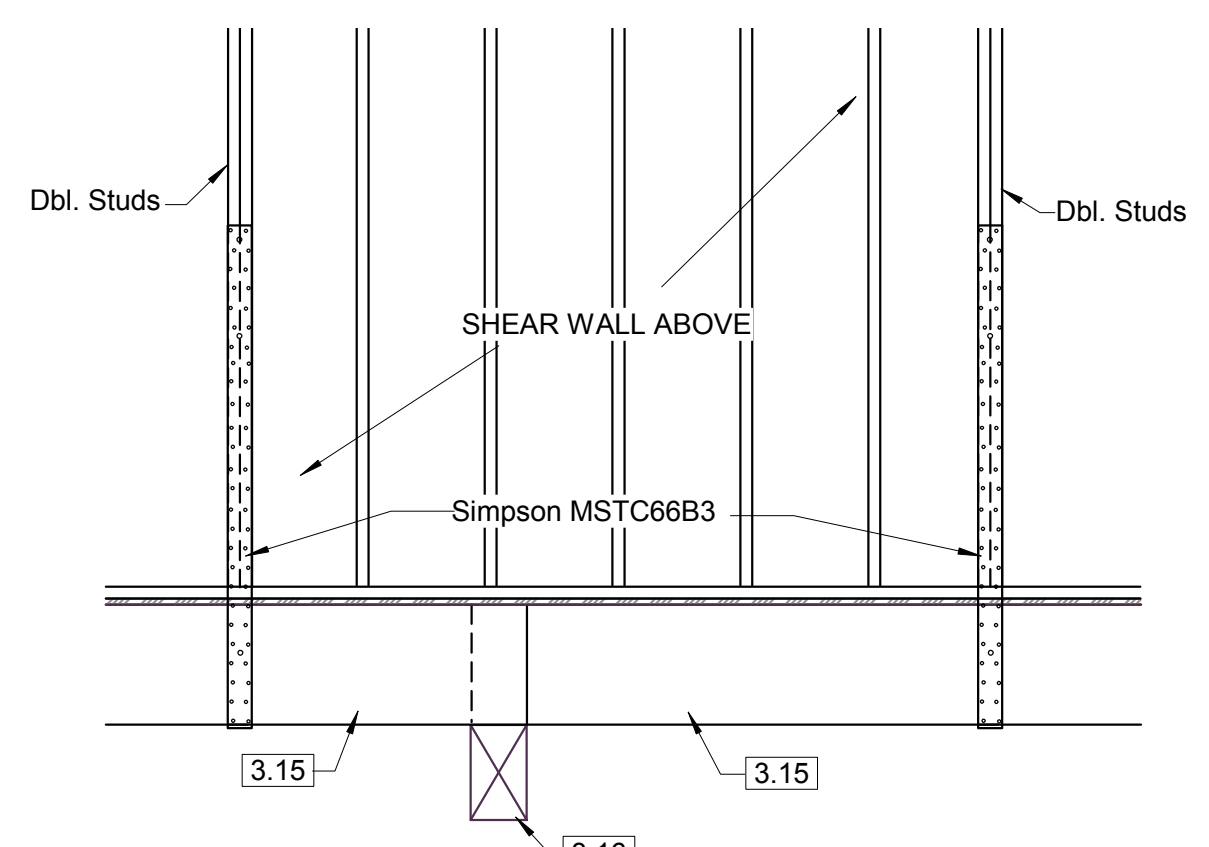
DETAIL 1 SCALE: 1" = 1'-0" (1:12)



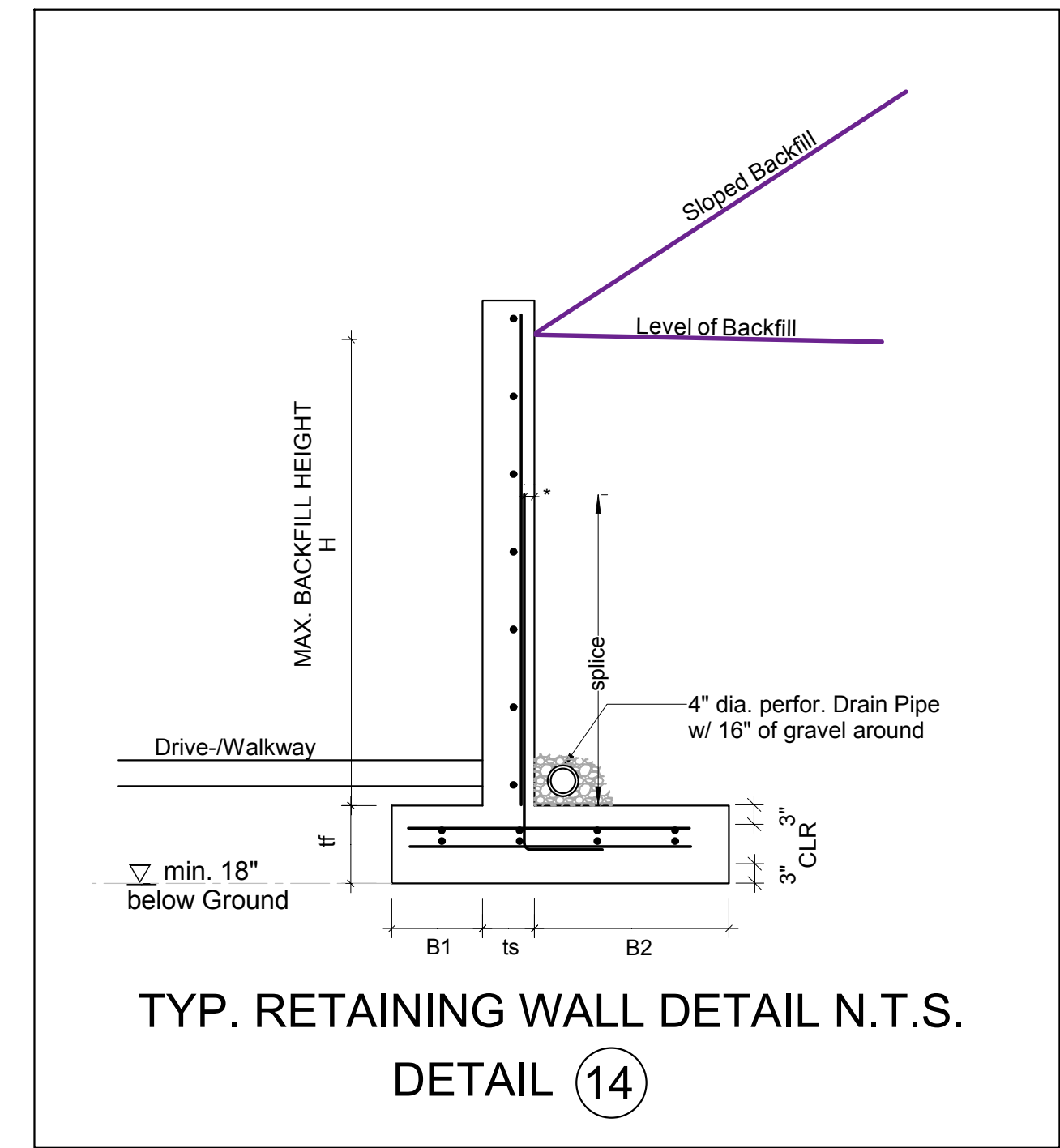
DETAIL 21 SCALE: 1" = 1'-0" (1:12)



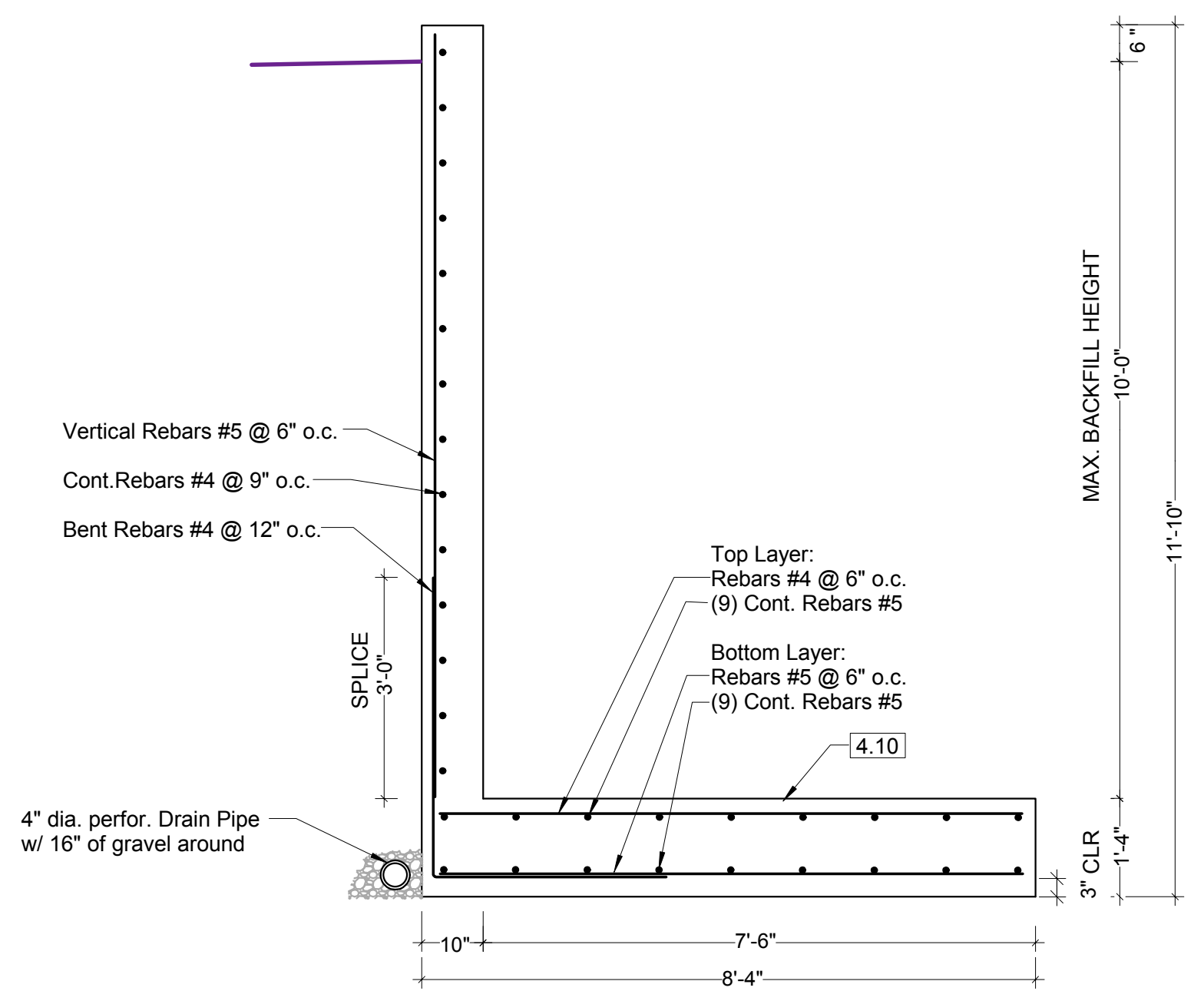
DETAIL 15 SCALE: 1" = 1'-0" (1:12)



DETAIL 20 SCALE: 1/2" = 1'-0" (1:24)

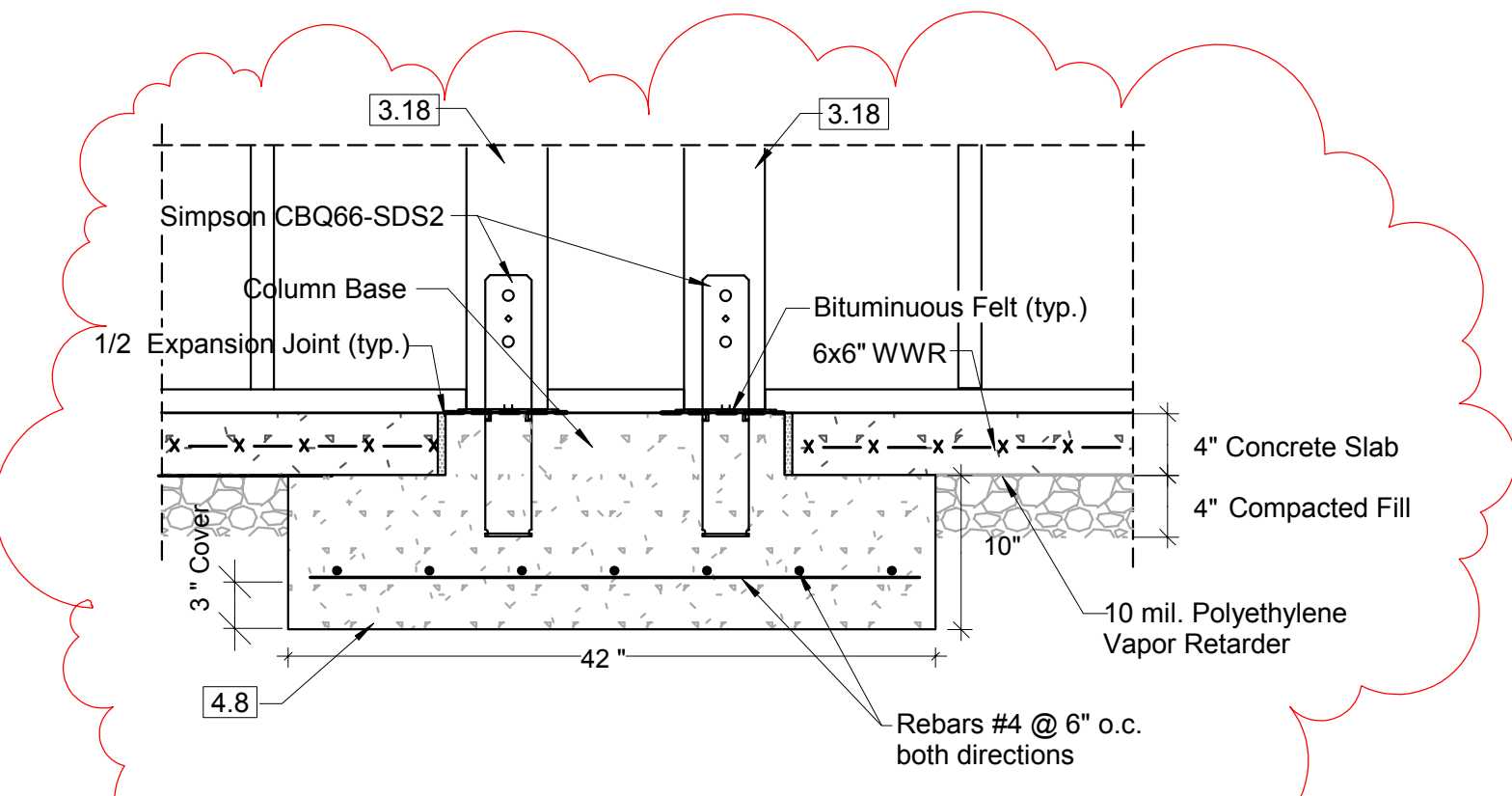


TYP. RETAINING WALL DETAIL N.T.S.
DETAIL 14



DETAIL 22 SCALE: 1/2" = 1'-0" (1:24)

PROTECTION FOR REINFORCEMENT OF CAST IN-PLACE CONCRETE	MIN. COVER
Concrete cast against and permanently exposed to earth	3"
Concrete exposed to earth or weather	
* Wall panels:	
No. 6 through No. 18 bars	2"
No. 5 bars, W31 or D31 wire, and smaller	1 1/2"
Concrete exposed to neither earth or weather	
Slabs, walls, and joists:	
No. 14 and no. 18 bars	1 1/2"
No. 11 and smaller bars	3/4"
Beams and Columns:	
Primary reinforcement, ties, stirrups, and spirals	1 1/2"
Shells and folded-plate members:	
No. 6 bars and larger	3/4"
No. 5 bars, W31 or D31 or smaller	3/4"

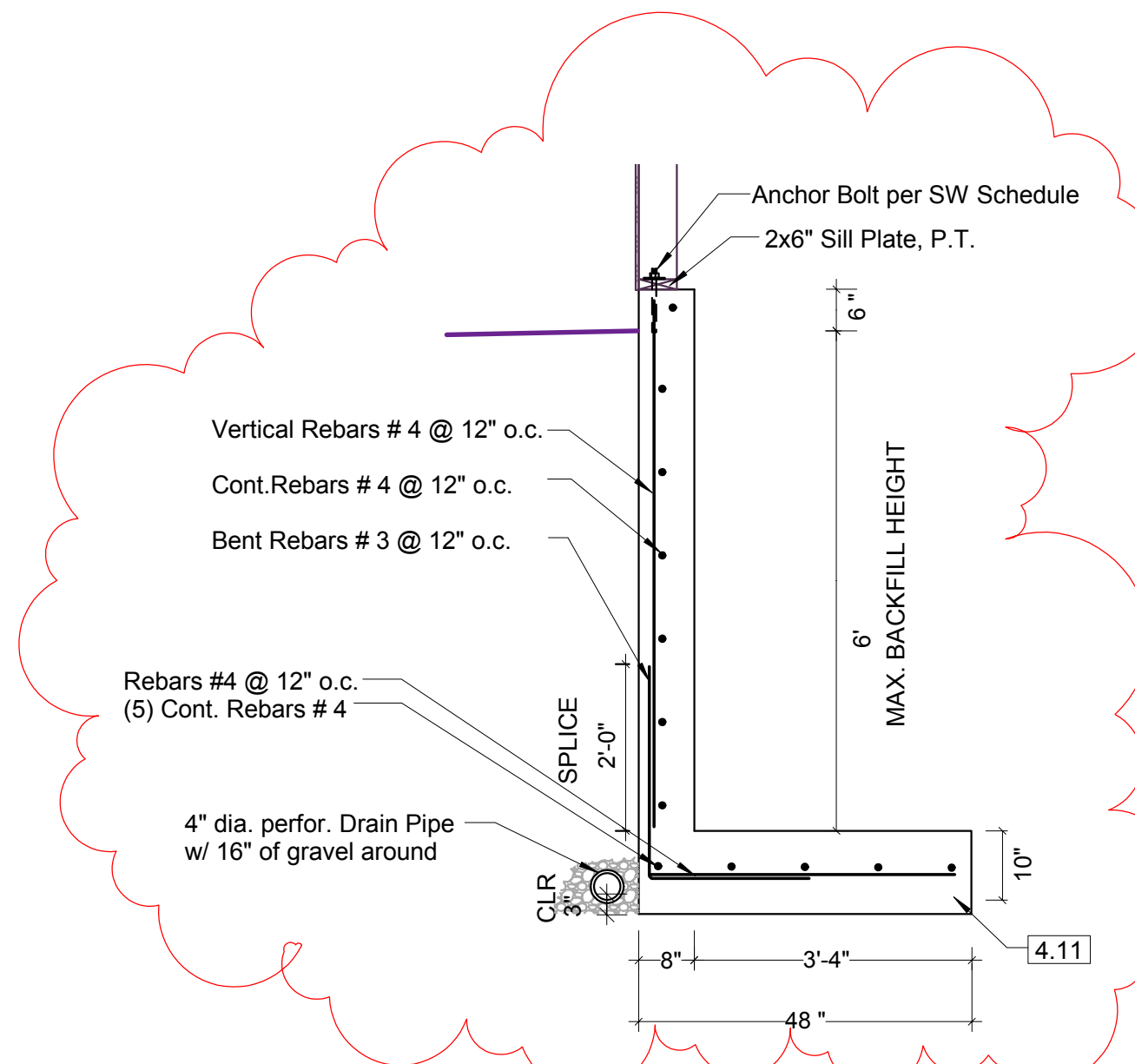
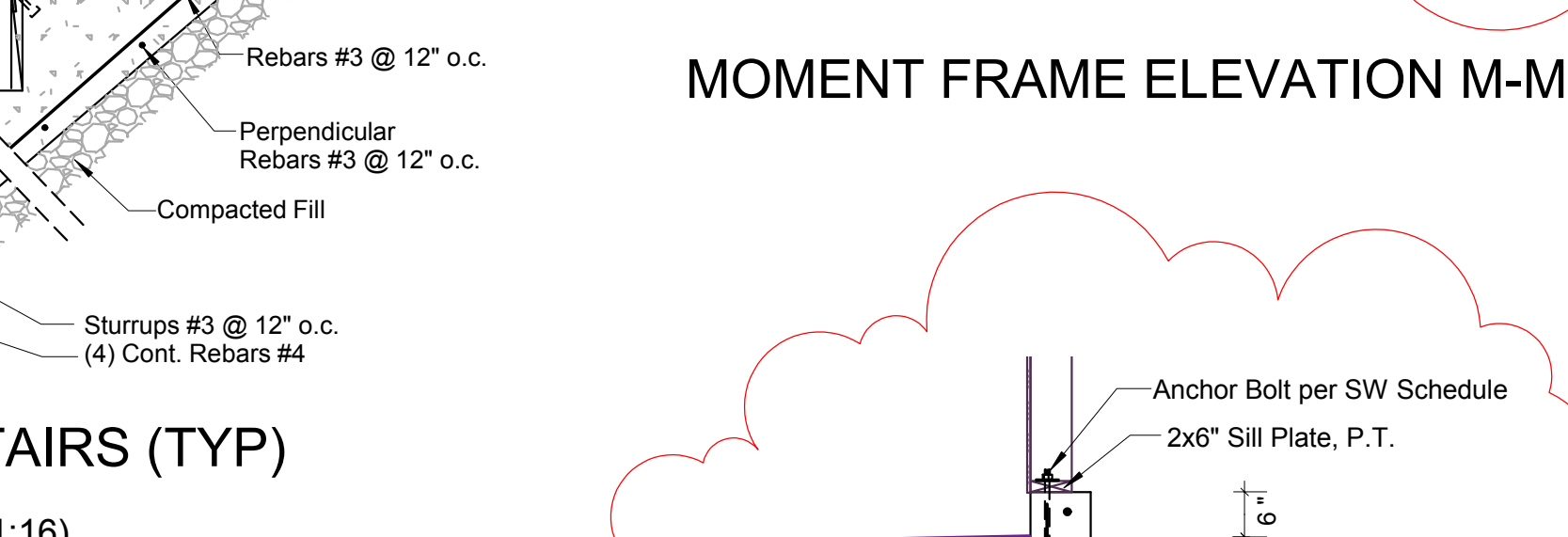
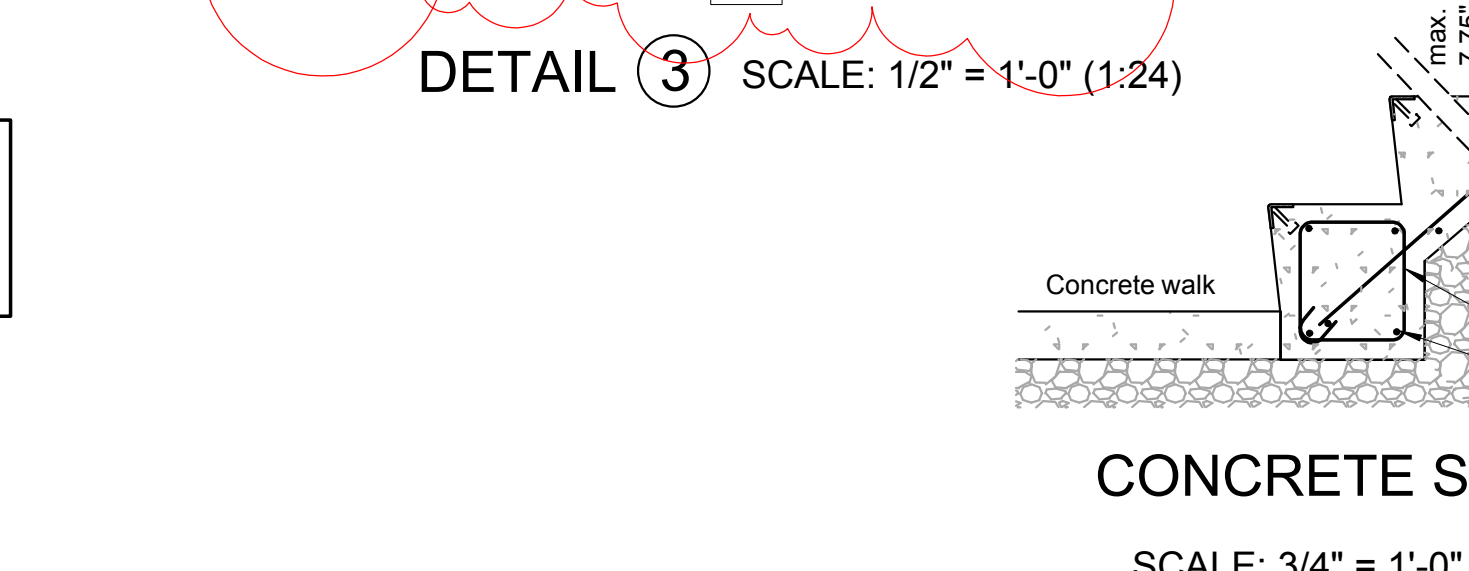
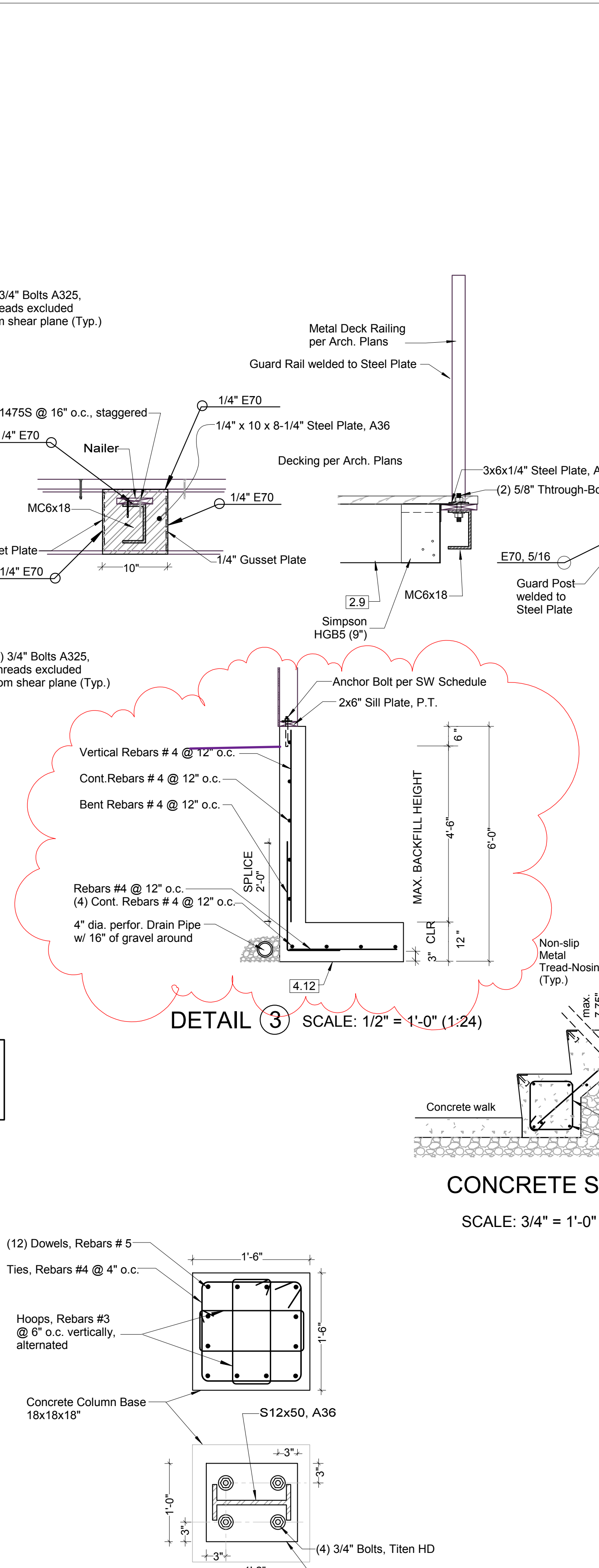
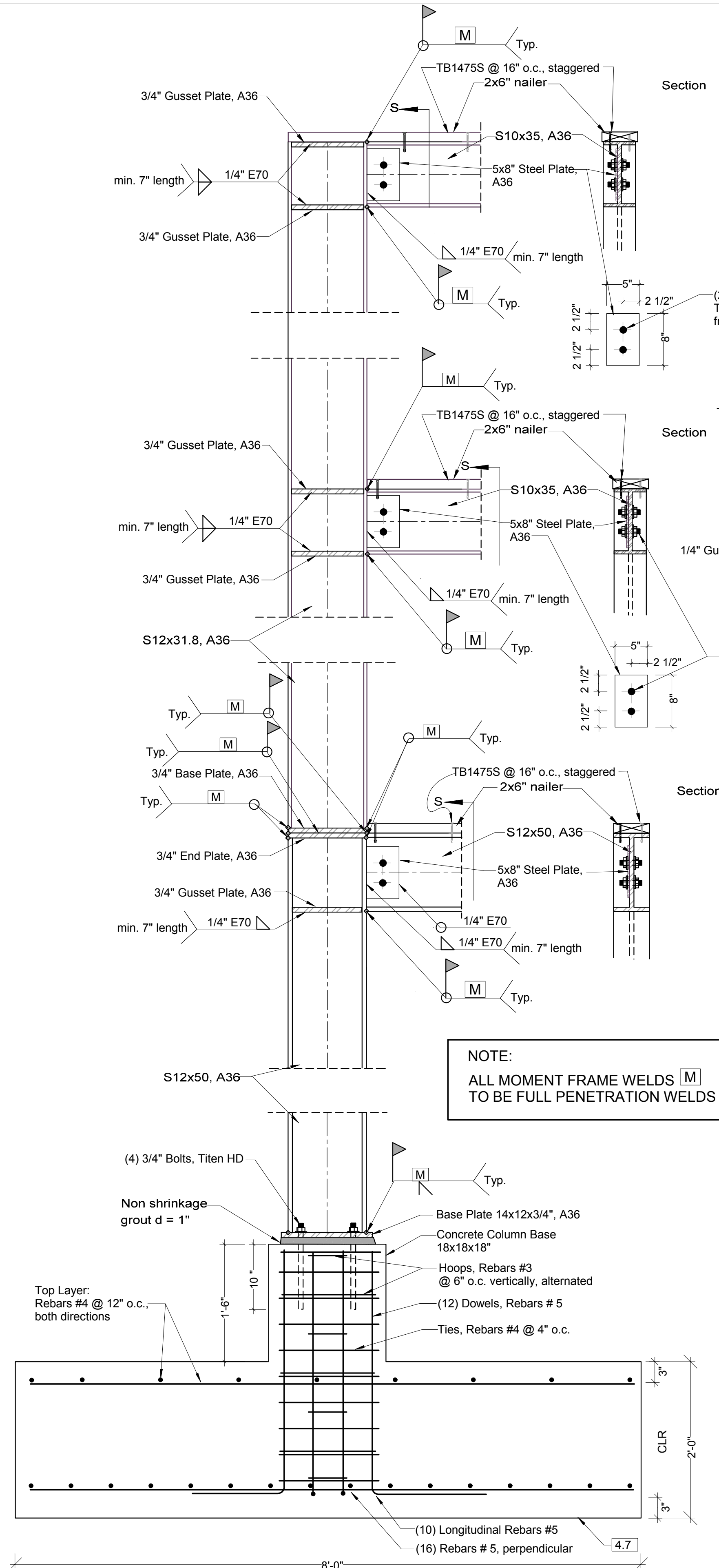


DETAIL 17 SCALE: 1" = 1'-0" (1:12)



REVISION 06/18/17

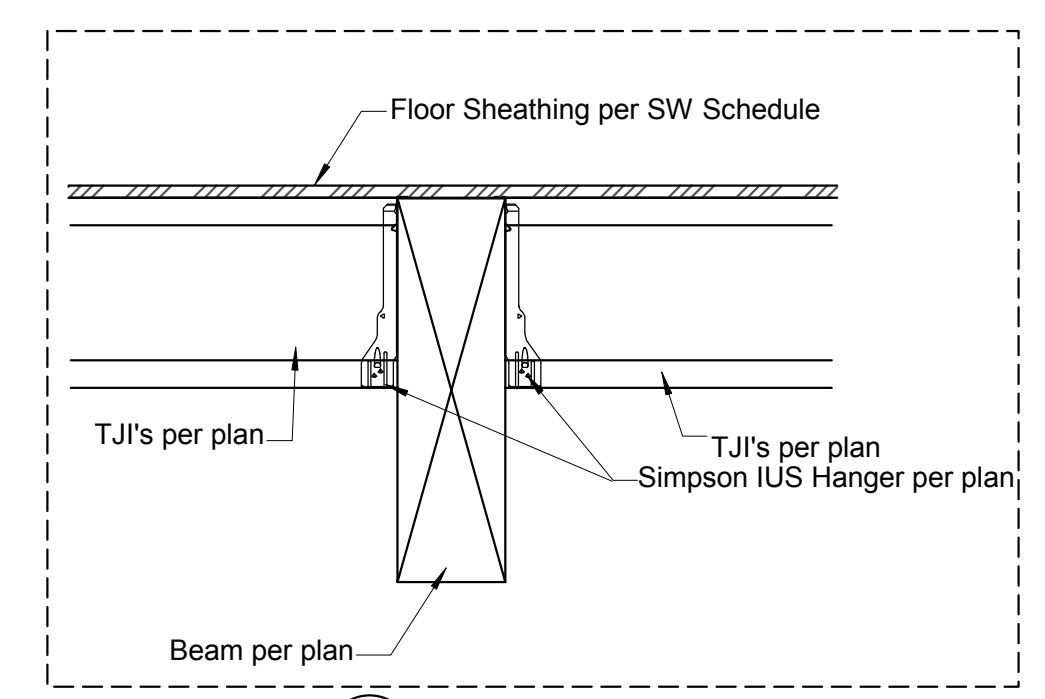
tecinstruct LLC 6830 NE Bothell Way - Suite C, PMB 181, Kenmore, WA 98028 Telephone (206) 553 9076 - Fax (206) 529 4408 ENGINEERING		
BUILDER:	Barcelo Homes	SHEET
JOB SITE:	4634 E Mercer Way, Mercer Island	S2.1
PARCEL NO.:	WA 98040	
DESCRIPTION:	new SFR	
DATE:	03/11/15	SCALE: as noted
ENGINEER:	Roland Heimisch, P. E.	



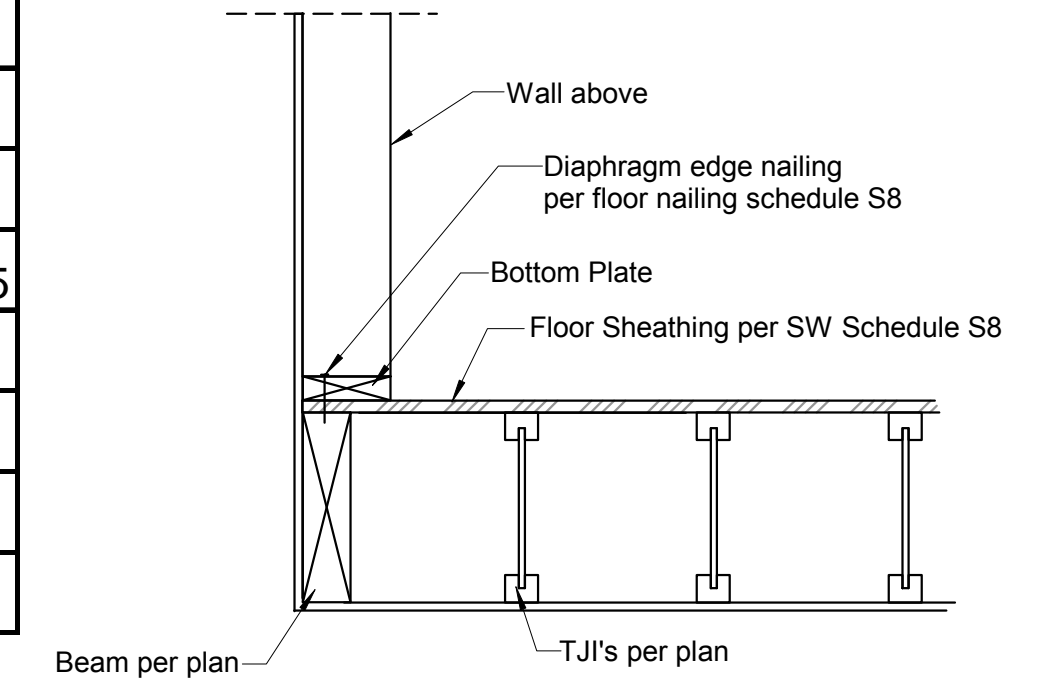
REVISION 06/18/17

tec instruct LLC		S3
6830 NE Bothell Way - Suite C, P.M.B. 181, Kenmore, WA 98028 Telephone (206) 553 9076 - Fax (206) 529 4408		
ENGINEERING		
BUILDER:	Barcelo Homes	SHEET
JOB SITE:	4634 E Mercer Way, Mercer Island	
PARCEL NO.:	WA 98040	
DESCRIPTION:	new SFR	
DATE:	03/11/15	
ENGINEER:	Roland Heimisch, P. E.	SCALE: as noted

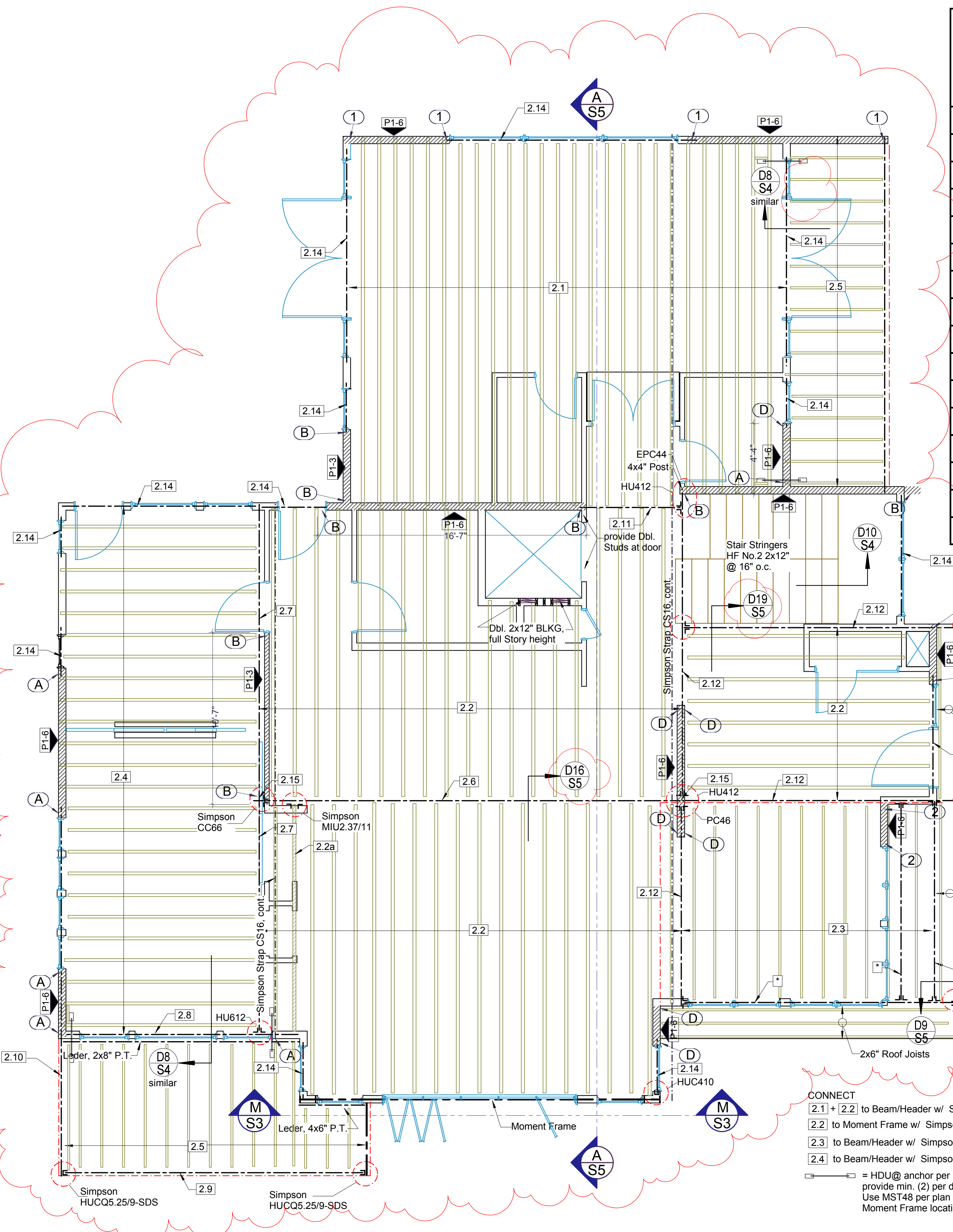
KEY NO.	STRUCTURAL MEMBERS	REACTIONS			
		FLOOR SYSTEM ABOVE 2ND LEVEL		CANTILEVER	
		DL	LL	(-) = uplift	rear end
2.1	TJI 360, 2-5/16x11-7/8" @ 12" o.c.				
2.2	TJI 360, 2-5/16x11-7/8" @ 16" o.c.				
2.2a	TJI 360, 2-5/16x11-7/8" @ 16" o.c.				
2.3	TJI 210, 2-1/16x11-7/8" @ 16" o.c.				
2.4	TJI 210, 2-1/16x11-7/8" @ 16" o.c.				
2.5	Deck Joists, HF No.2, 2x8" @ 16" o.c. P.T.				
2.6	Beam, Glulam WS, 24F-1.8E, 6-3/4x24"	5,016	9,100		
2.7	Beam, PSL, 2.0E, 2900Fb, 5-1/4x11-7/8"	1,534	2,736		
2.8	Beam, PSL, 2.0E, 2900Fb, 5-1/4x11-7/8"	3,040	3,931		
2.9	Beam @ Deck, Glulam WS, 24F-1.8E, 5-1/8x9"	636	1,370		
2.10	Beam, Glulam WS, 24F-1.8E, 6-3/4x12"	1,056	2,194	-1,250	
2.11	Beam, PSL, 2.0E, 2900Fb, 3-1/2x11-7/8"	955	1,688	-415	85
2.12	Beam, PSL, 2.0E, 2900Fb, 3-1/2x11-7/8"	2,574	2,604		
2.13	Beam, Glulam WS, 24F-1.8E, 5-1/4x12"	1,950	1,733		
2.14	Header (=Rim), LSL, 1.55E, 2325Fb, 3-1/2x11-7/8"				
2.15	Column, PSL, 1.8E, 5-1/4x5-1/4"				



DETAIL 16 SCALE: 1" = 1'-0" (1:12)
TJI'S TO BEAM (TYP.)



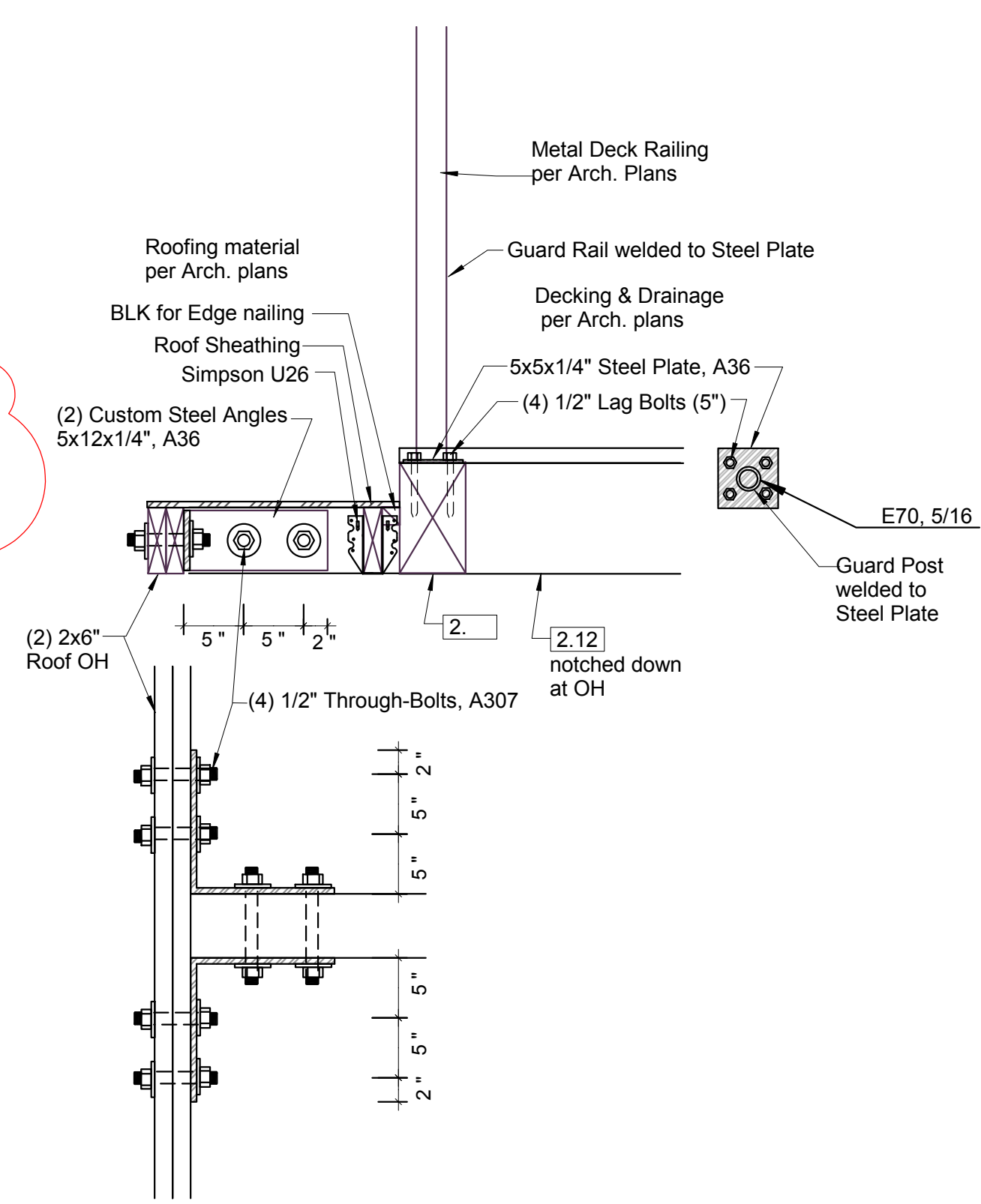
DETAIL 19 SCALE: 1" = 1'-0" (1:12)



FRAMING ABOVE 2ND LEVEL SCALE: 1/4" = 1'-0" (1:48)

NOTE:
WHERE DETAILS ARE NOT SPECIFICALLY INDICATED BUT ARE OF SIMILAR CHARACTER TO DETAILS SHOWN, SIMILAR DETAILS OF CONSTRUCTION SHALL BE USED.

- CONNECT
- [2.1] + [2.2] to Beam/Header w/ Simpson IUS2.37/11.88
 - [2.2] to Moment Frame w/ Simpson LBV2.37/11.88
 - [2.3] to Beam/Header w/ Simpson U210
 - [2.4] to Beam/Header w/ Simpson IUS2.06/11.88
- = HDU@ anchor per D8/S5, provide min. (2) per deck; Use MST48 per plan at Moment Frame location.

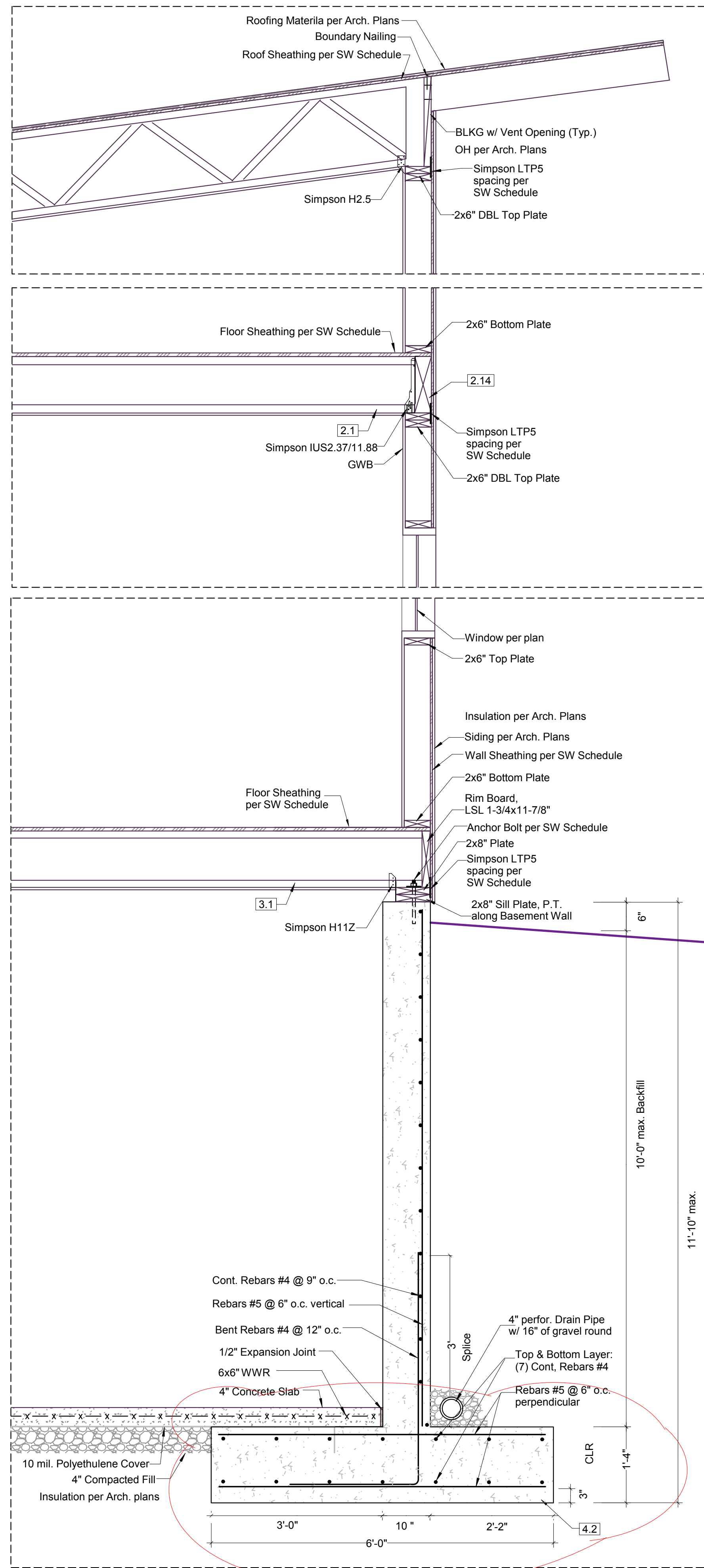


DETAIL 9 SCALE: 1" = 1'-0" (1:12)

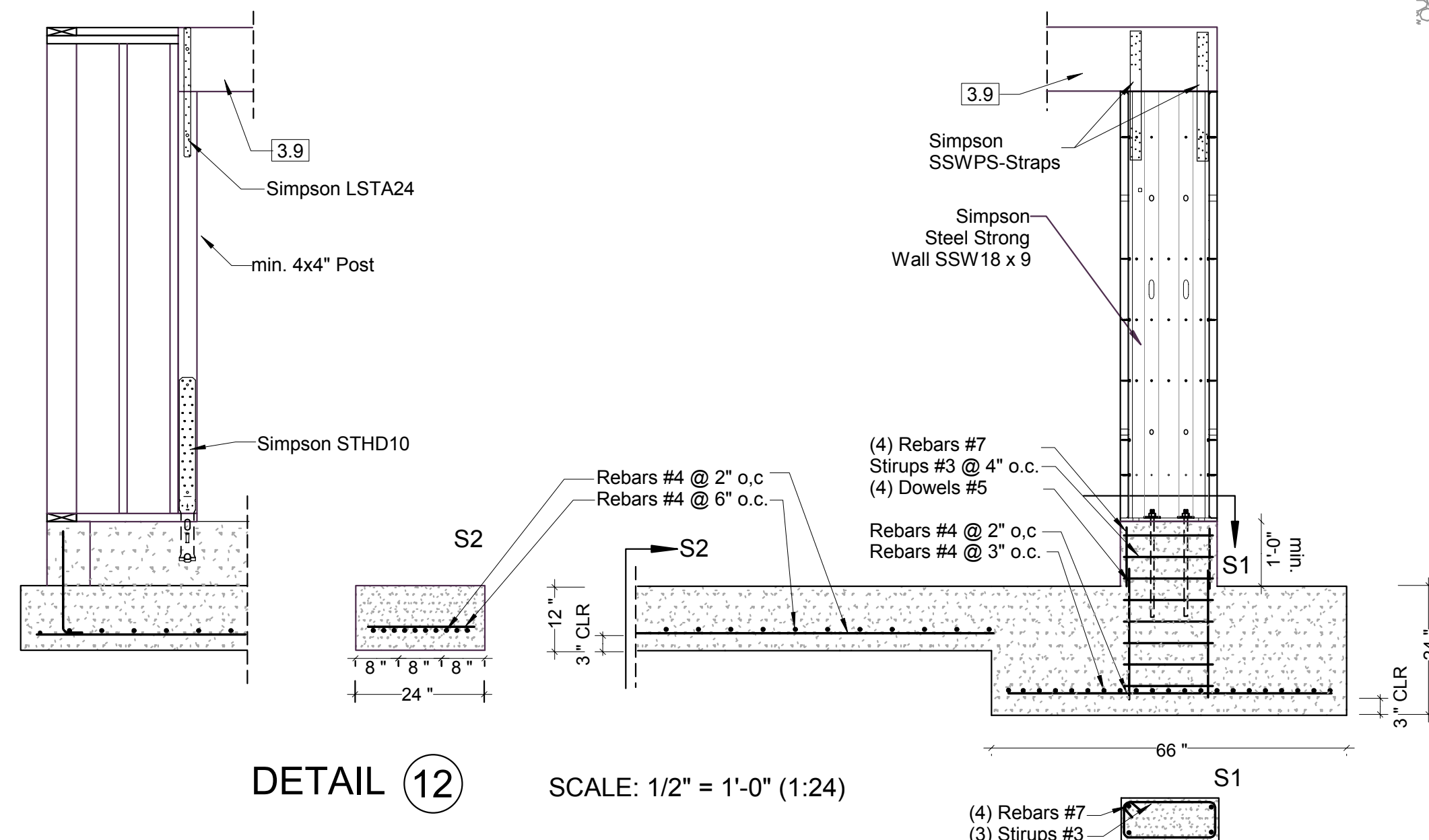


REVISION 06/18/17

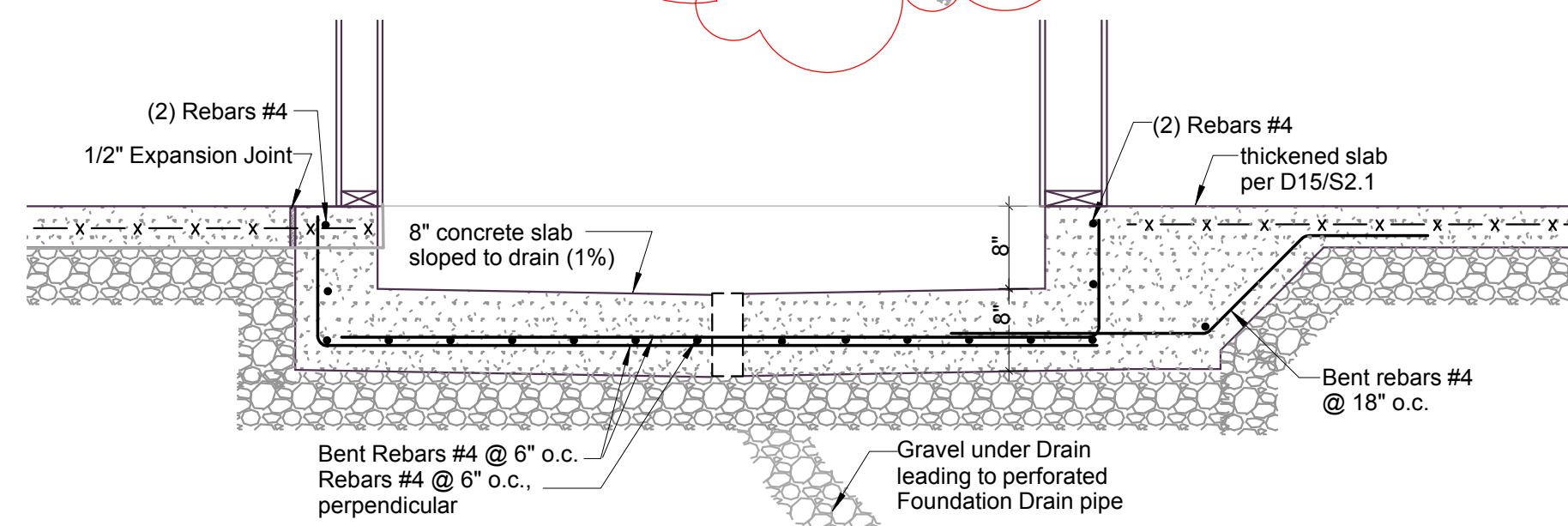
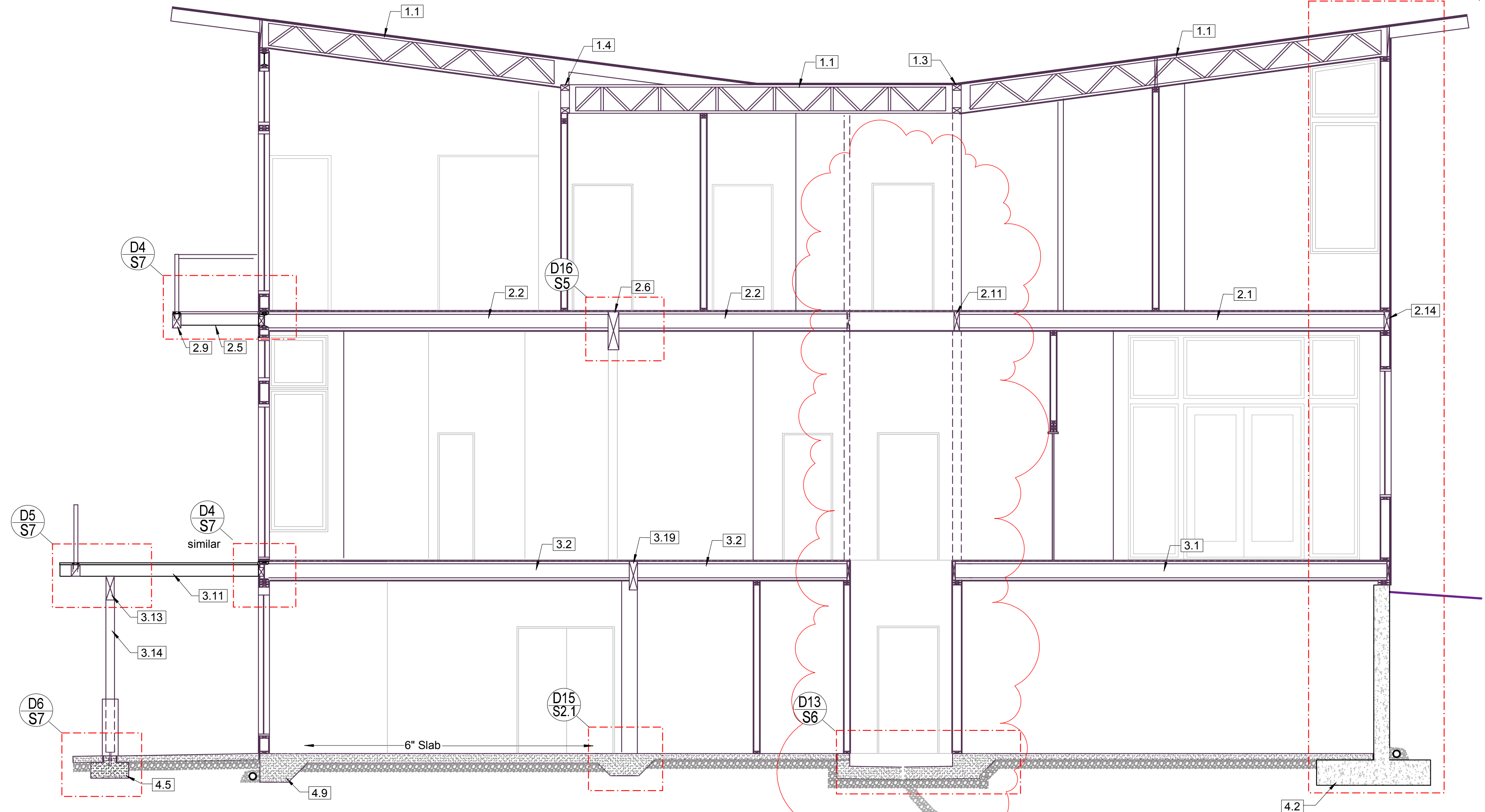
<p>tec instruct LLC 6830 NE Bothell Way - Suite C, PMB 181, Kenmore, WA 98028 Telephone (206) 553 9076 - Fax (206) 529 4408</p>		S5
ENGINEERING		
BUILDER:	Barcelo Homes	SHEET
JOB SITE:	4634 E Mercer Way, Mercer Island	
PARCEL NO.:	WA 98040	DATE: 03/11/15 SCALE: as noted
DESCRIPTION:	new SFR	
ENGINEER:	Roland Heimisch, P. E.	



TYPICAL WALL SECTION (TWS) SCALE: 3/4" = 1'-0" (1:16)



DETAIL 12 SCALE: 1/2" = 1'-0" (1:24)
 SSW18X9 INSTALL. DETAIL (TYP.)

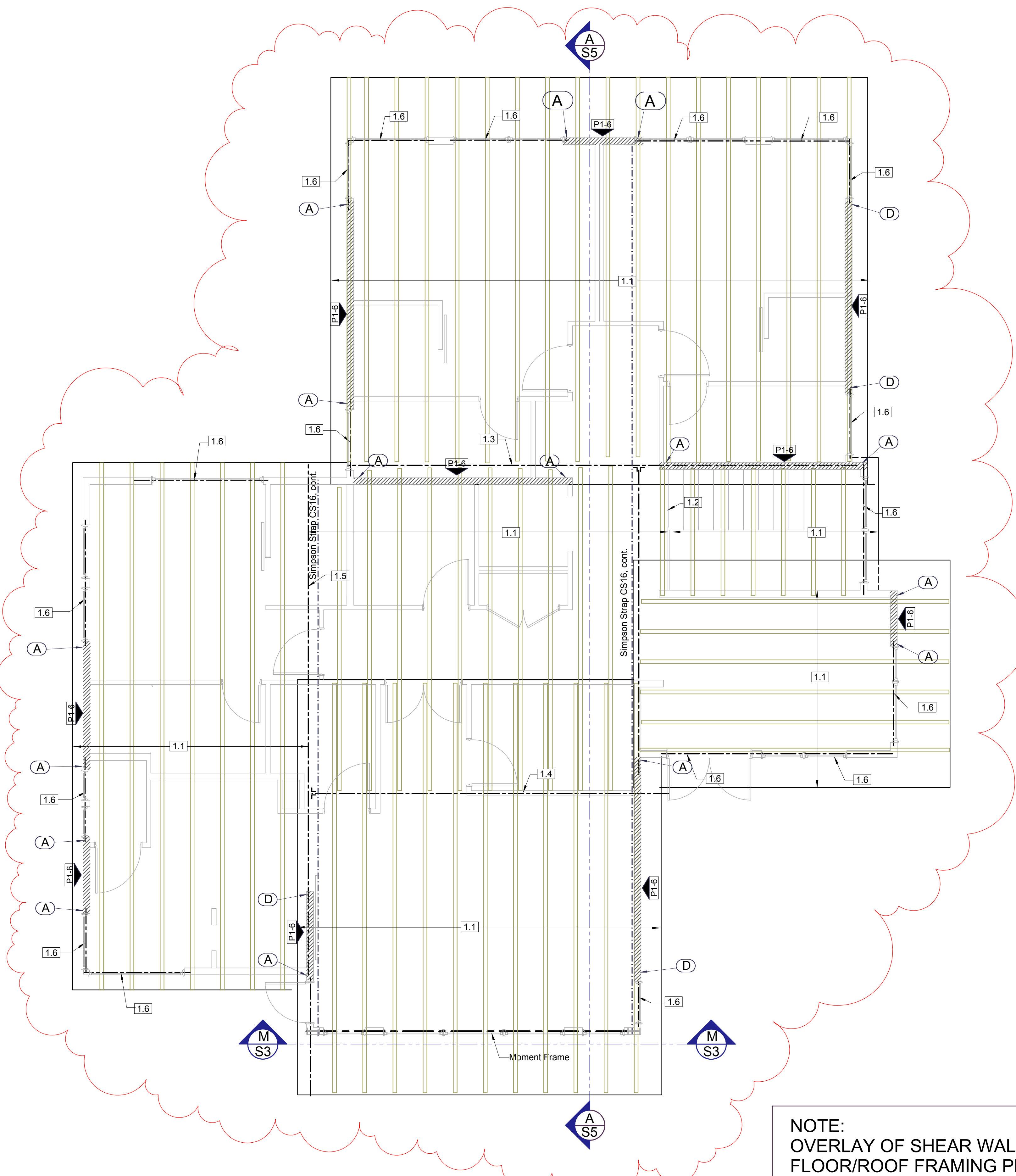


DETAIL 13 SCALE: 3/4" = 1'-0" (1:16)



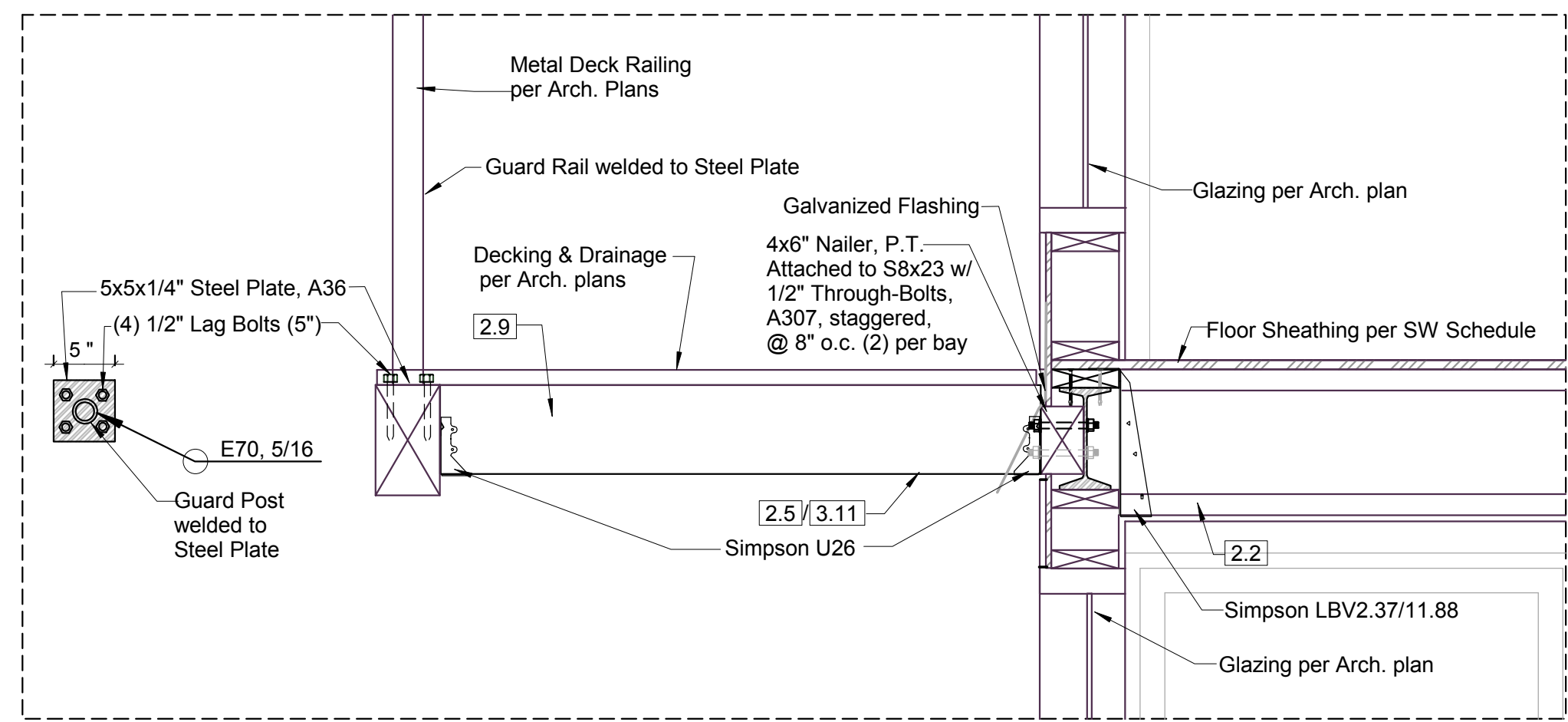
REVISION 06/18/17

tec instruct LLC 6830 NE Bothell Way - Suite C, PMB 181, Kenmore, WA 98028 Telephone (206) 553 9076 - Fax (206) 529 4408		
ENGINEERING		
BUILDER:	Barcelo Homes	SHEET
JOB SITE:	4634 E Mercer Way, Mercer Island	S6
PARCEL NO.:	WA 98040	
DESCRIPTION:	new SFR	
DATE:	03/11/15	SCALE: as noted
ENGINEER:	Roland Heimisch, P. E.	

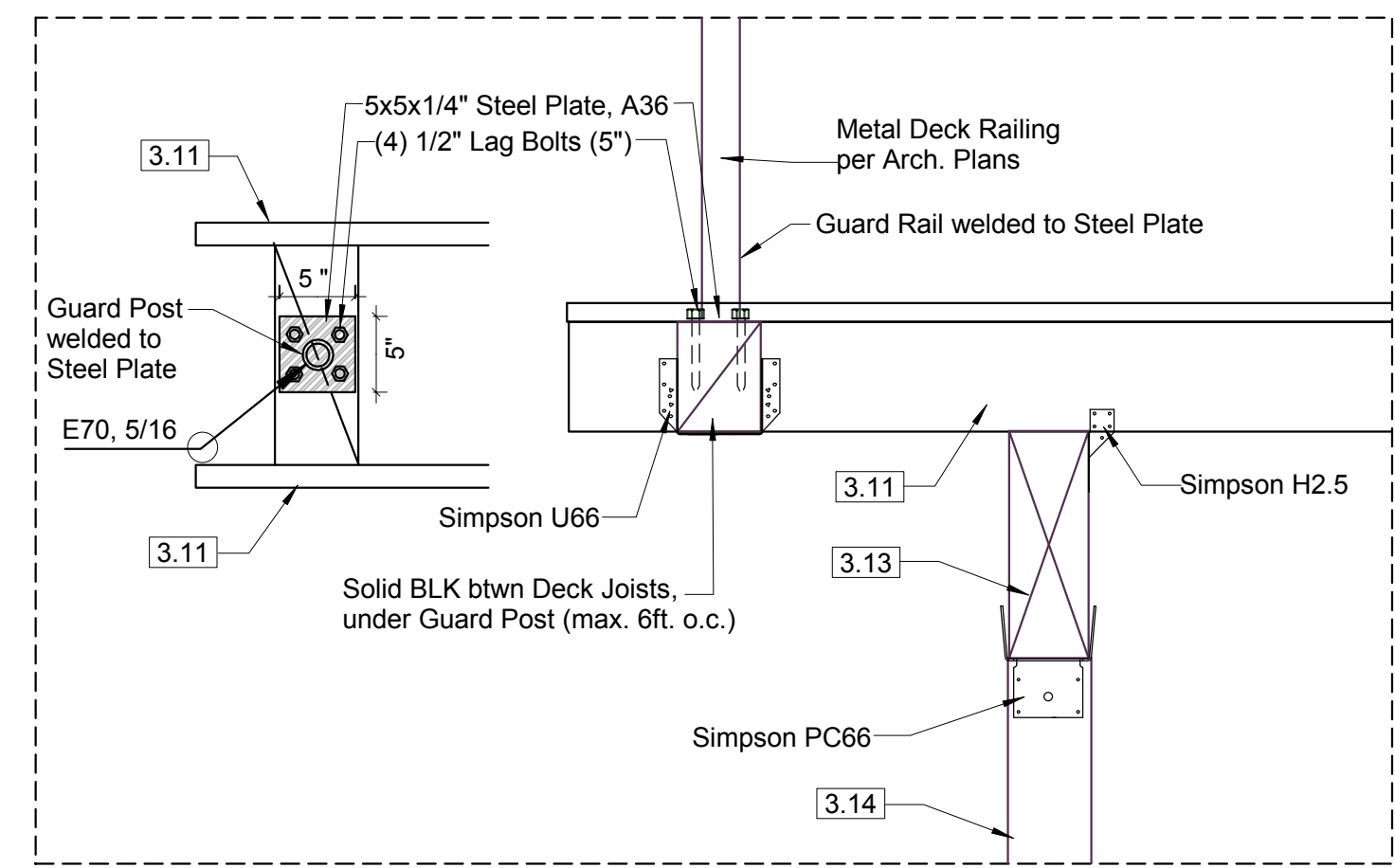


ROOF FRAMING PLAN SCALE: 1/4" = 1'-0" (1:48)

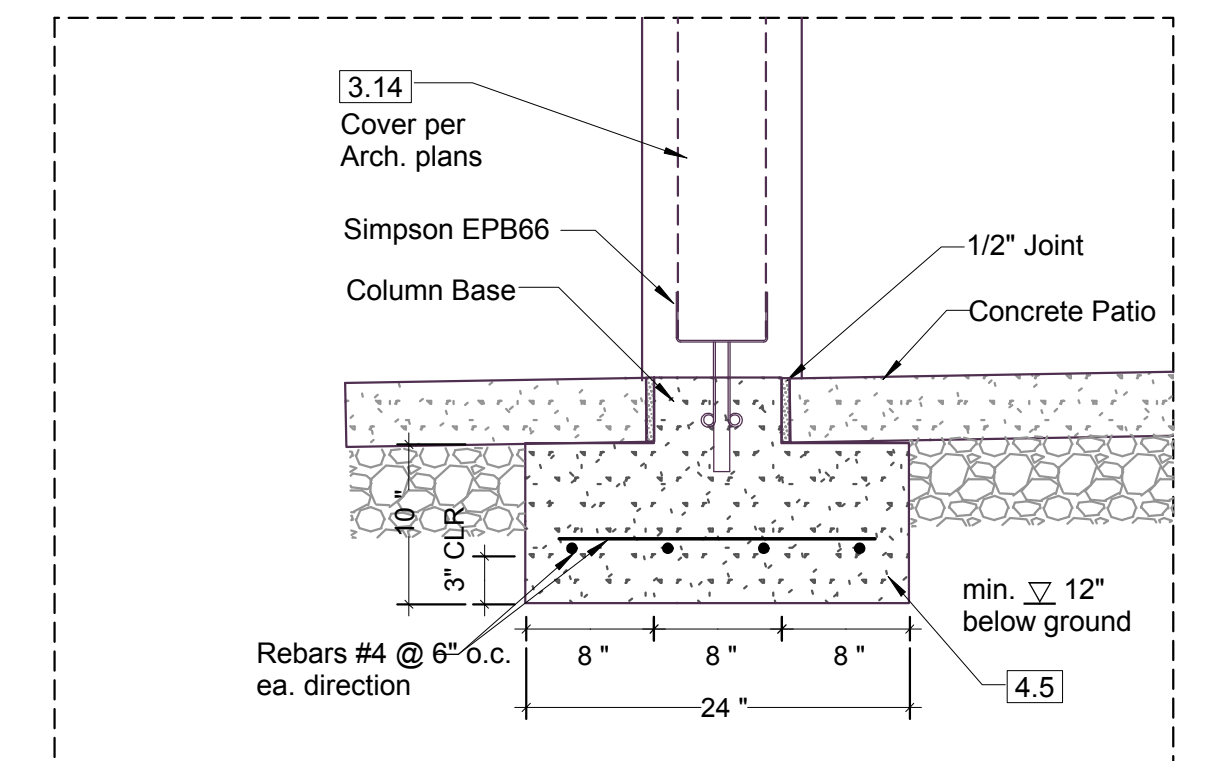
NOTE:
 OVERLAY OF SHEAR WALLS IN
 FLOOR/ROOF FRAMING PLANS PER
 REVIEWER REQUEST,
 REFER TO SHEAR WALL PLANS (S8/S9)
 FOR SHEAR WALL INFORMATION



DETAIL 4 SCALE: 1" = 1'-0" (1:12)



DETAIL 5 SCALE: 1" = 1'-0" (1:12)



DETAIL 6 SCALE: 1" = 1'-0" (1:12)

KEY NO.	STRUCTURAL MEMBERS
ROOF LEVEL	
1.1	Open Web Trusses @ 24" o.c., d = 18"
1.2	Girder Truss, d = 18"
1.3	Girder Truss, d = 18"
1.4	Girder Truss, d = 18"
1.5	Girder Truss, d = 18"
1.6	Header (=Rim), LVL, 2-ply, (2) 1-3/4x18"



REVISION 06/18/17

<p>tec instruct LLC 6830 NE Bothell Way - Suite C, PMB 181, Kenmore, WA 98028 Telephone (206) 553 9076 - Fax (206) 529 4408 ENGINEERING</p>		S7
BUILDER:	Barcelo Homes	
JOB SITE:	4634 E Mercer Way, Mercer Island	
PARCEL NO.:	WA 98040	
DESCRIPTION:	new SFR	
DATE:	02/23/15	SCALE: as noted
ENGINEER:	Roland Heimisch, P. E.	

HOLDOWN SCHEDULE

SYMBOL	HOLDOWN	EMBED.	BOLT TYPE	MIN. WOOD MEMBER THICKNESS
①	Simpson HDU2	18"	SB5/8x24	(2) 2x
②	Simpson HDU4	18"	SB5/8x24	(2) 2x
③	Simpson HDU8	18"	SB7/8x24	DF 6x6"
④	Simpson HDU11	24"	SB1x30	DF 6x6"

VERTICAL DIAPHRAGM

SHEARWALL TYPE	WALL SHEATHING (PANEL) THICKNESS & GRADE	SPAN INDEX	NAIL TYPE	NAILING		WALL STUD GRADE & SPACING	BLKG REQ'D	BLOCK SIZE	ABUTTING PLYWOOD PANEL EDGE MEMBER SIZE	TOP PLATE NAILING SIZE & SPACING	SOLE PLATE NAILING SIZE &	FOUNDATION ANCHOR BOLTS SIZE & SPACING	ALLOWABLE LOAD SEISMIC / WIND	SIMPSON CLIPS
				EDGE	FIELD									
P1-6	15/32" APA RATED/OSB ONE FACE	24/0	8d	6" o.c.	12" o.c.	HEM-FIR @ 16" o.c.	yes	2x	2x	16d @ 5"	16d @ 5"	5/8" @ 48" o.c.	244 PLF / 342 PLF	LTP5 @ 24" o.c.
P1-3 ²	15/32" APA RATED/OSB ONE FACE	24/0	8d	3" o.c.	12" o.c.	HEM-FIR @ 16" o.c.	yes	3x	3x	(2) ROWS 16d @ 4"	(2) ROWS 16d @ 4"	5/8" @ 24" o.c.	564 PLF / 790 PLF	LTP5 @ 12" o.c.

NOTE:
For all non-Shear Walls use nailing pattern, bolt and clip size/spacing for P1-6

STRAP SCHEDULE

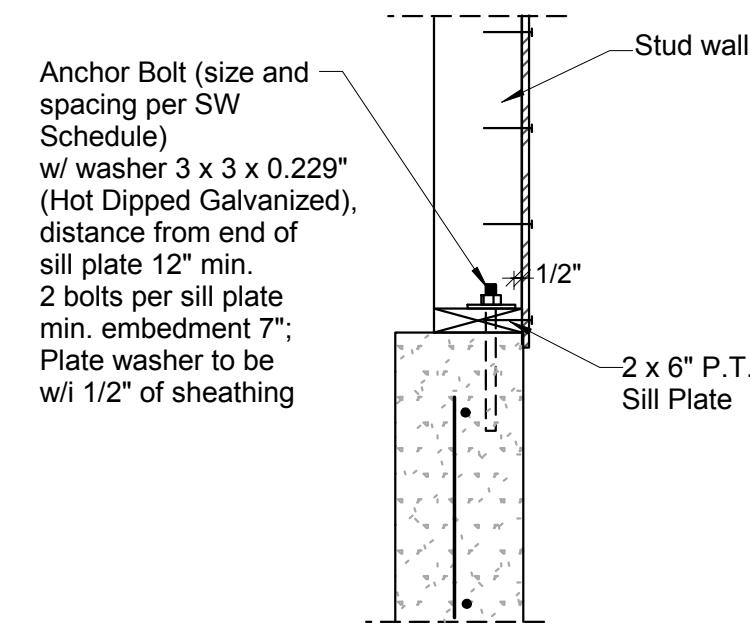
SYMBOL	STRAP	WOOD MEMBER	NAILS
Ⓐ	MST48	(2) 2x	34 - 16d
Ⓑ	MST60	(2) 2x	46 - 16d
Ⓒ	HTS20	(2) 2x	20 - 16d
Ⓓ	MSTC66B3	(2) 2x	38 - 10d

HORIZONTAL DIAPHRAGM

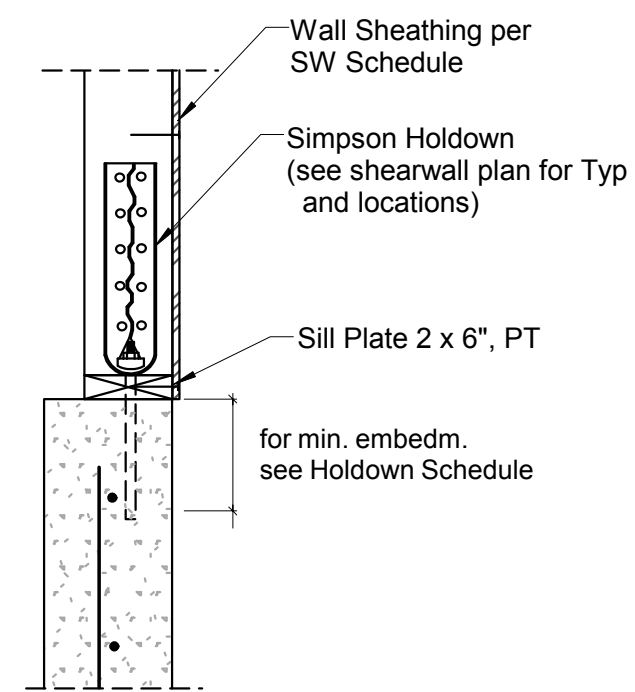
	THICKNESS & GRADE	SPAN INDEX	NAIL TYPE	NAILING		
				BDRY	EDGE	FIELD
FLOOR NAILING	3/4" CDX T&G APA RATED/OSB	48/24	10d	6" o.c.	6" o.c.	12" o.c.
ROOF NAILING	7/16" APA RATED/OSB	24/0	8d	6" o.c.	6" o.c.	12" o.c.

SHEAR WALLS

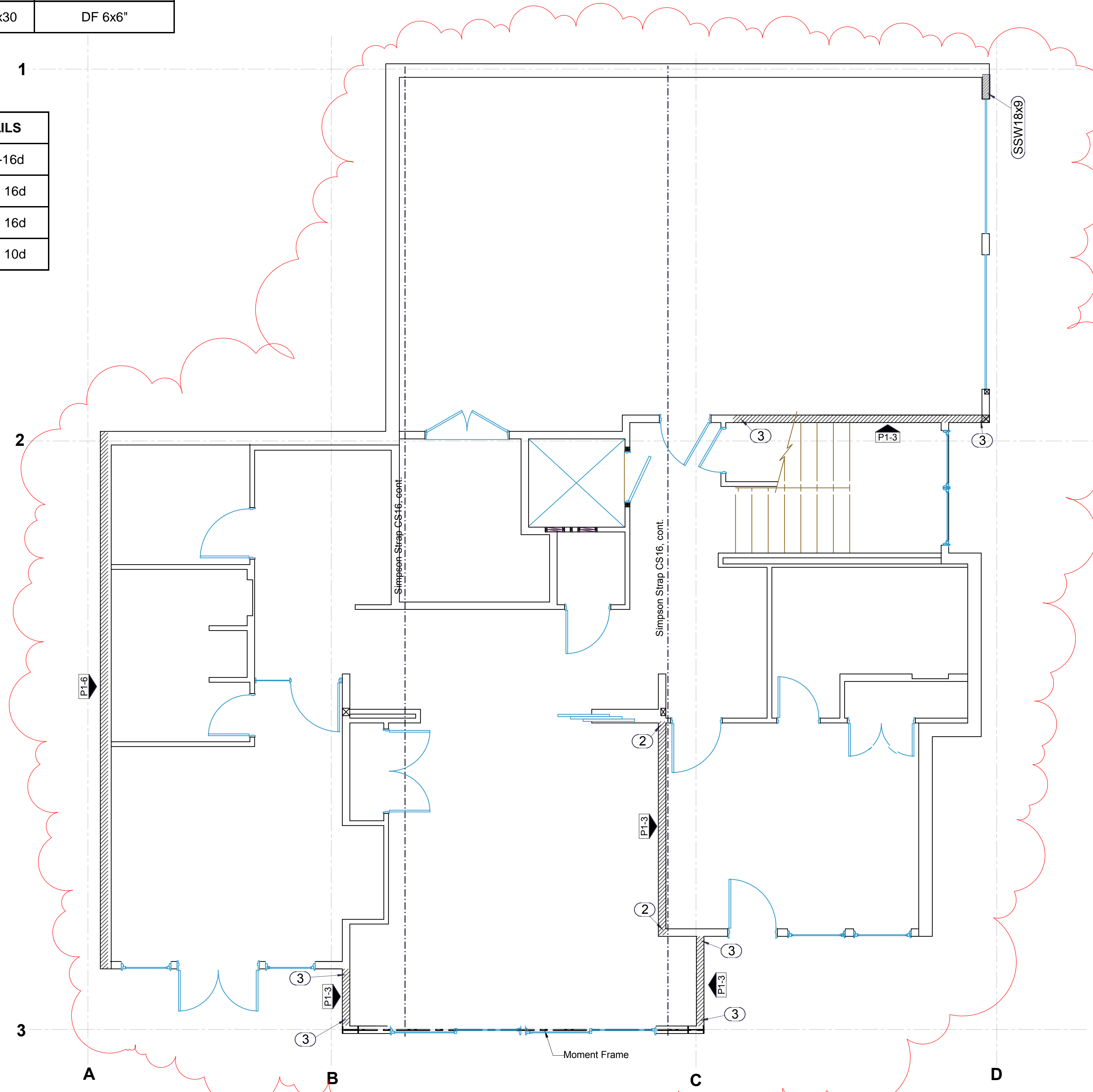
- ALL SHEAR WALLS SHALL CONFORM TO IBC SECTION 23 REQMENTS. APPLY NAILING TO ALL STUDS, TOP AND BOTTOM PLATES AND BLOCKINGS. SHEATHING SHALL BE INSTALLED VERTICALLY W/ 4x10 SHEETS FROM THE SILL PLATE AT THE FOUNDATION TO THE LOWER OF THE DOUBLED TOP PLATES AT THE MAIN LEVEL AND FROM THE UPPER OF THE DOUBLED TOP PLATES AT THE WALL TO THE TOP OF THE DOUBLED TOP PLATES AT THE UPPER LEVEL.
- WHERE APA SHEATHING IS APPLIED ON BOTH FACES OF THE WALL AND NAIL SPACING IS LESS THAN 6" O.C. ON EITHER SIDE, PANEL JOINTS SHALL BE OFFSET TO FALL ON DIFFERENT FRAMING MEMBER, OR FRAMING SHALL BE 3x NOMINAL AND NAILS ON EACH SIDE SHALL BE STAGGERED. WHERE ALLOWABLE SHEAR VALUES EXCEED 350 PLF (NAIL SPACING 4" OR LESS, OR SHEAR WALLS W/ PLYWOOD APPLIED ON EACH SIDE OF THE STUD WALL) FOUNDATION SILL PLATES AND FRAMING ABUTTING PANEL EDGES SHALL BE 3x NOMINAL OR (2) 2x W/ STAGGERED NAILING.
- ABOVE LISTED ALLOWABLE SHEAR CAPACITIES ARE ADJUSTED FOR USE OF HEM-FIR STUDS, SPACED NO MORE THAN 16" O.C. AND SHEATHING APPLIED DIRECTLY TO FRAMING MEMBERS.
- 14 GAUGE STAPLES W/ 7/16" CROWN AND 2" NOMINAL LEG LENGTH OR 0.131 DIA. P-NAILS W/ 2" NOMINAL LENGTH CAN BE SUBSTITUTED FOR 8D COMMON NAILS W/ REDUCED SHEAR CAPACITIES TO USE STAPLES. VERIFY W/ ENGINEER.
- ALL FASTENERS SHALL BE DRIVEN FLUSH W/ SURFACE OF SHEATHING.
- PROVIDE A SINGLE JOIST OR MIN. 2x SOLID BLOCKING BELOW AND AT THE TOP OF ALL SHEARWALLS.



ANCHOR BOLT DETAIL (TYP.)
SCALE: 1" = 1'-0" (1:12)



HOLDOWN DETAIL (TYP.)
SCALE: 1" = 1'-0" (1:12)

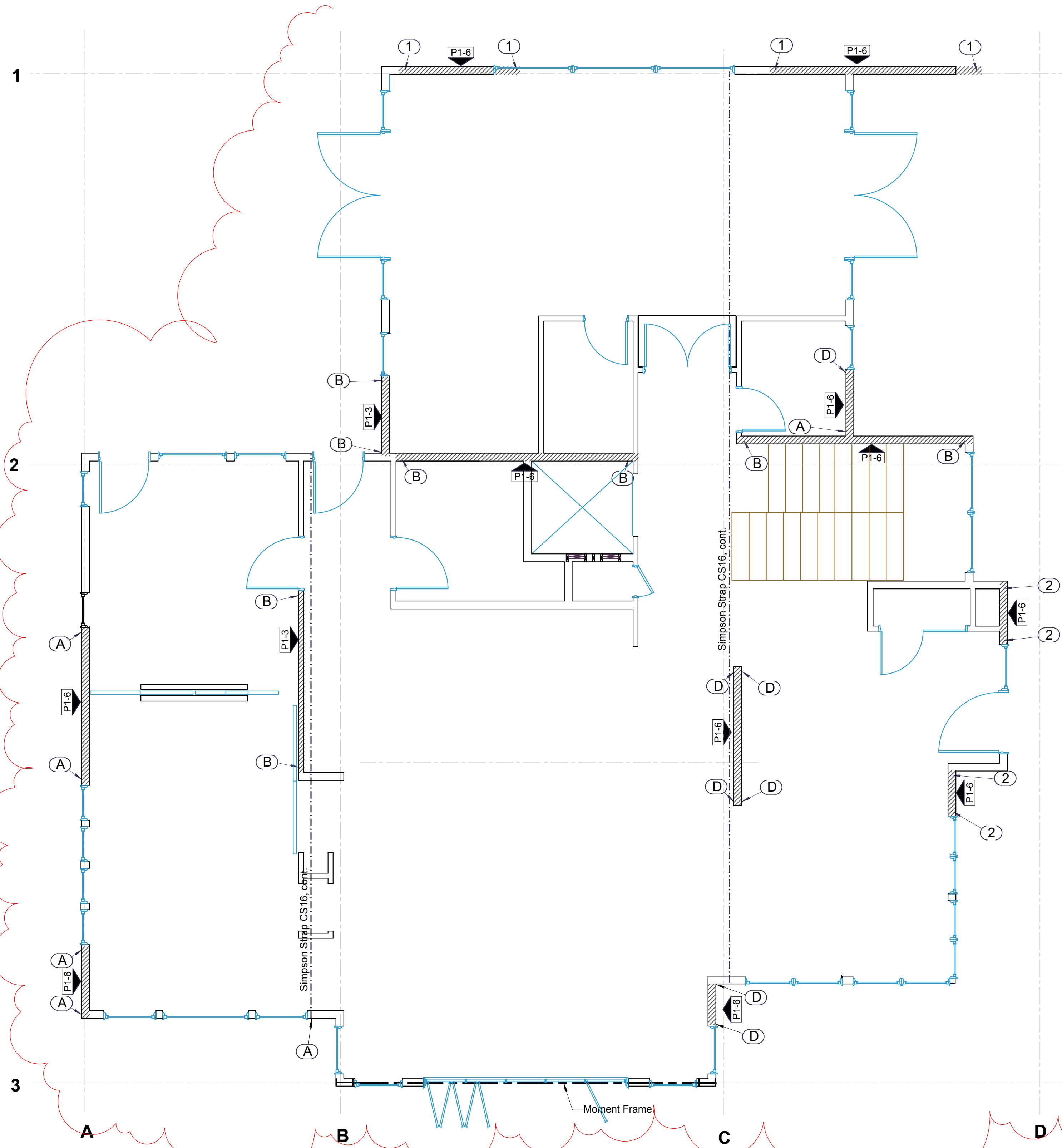


FIRST LEVEL SHEAR WALL PLAN SCALE: 1/4" = 1'-0" (1:48)



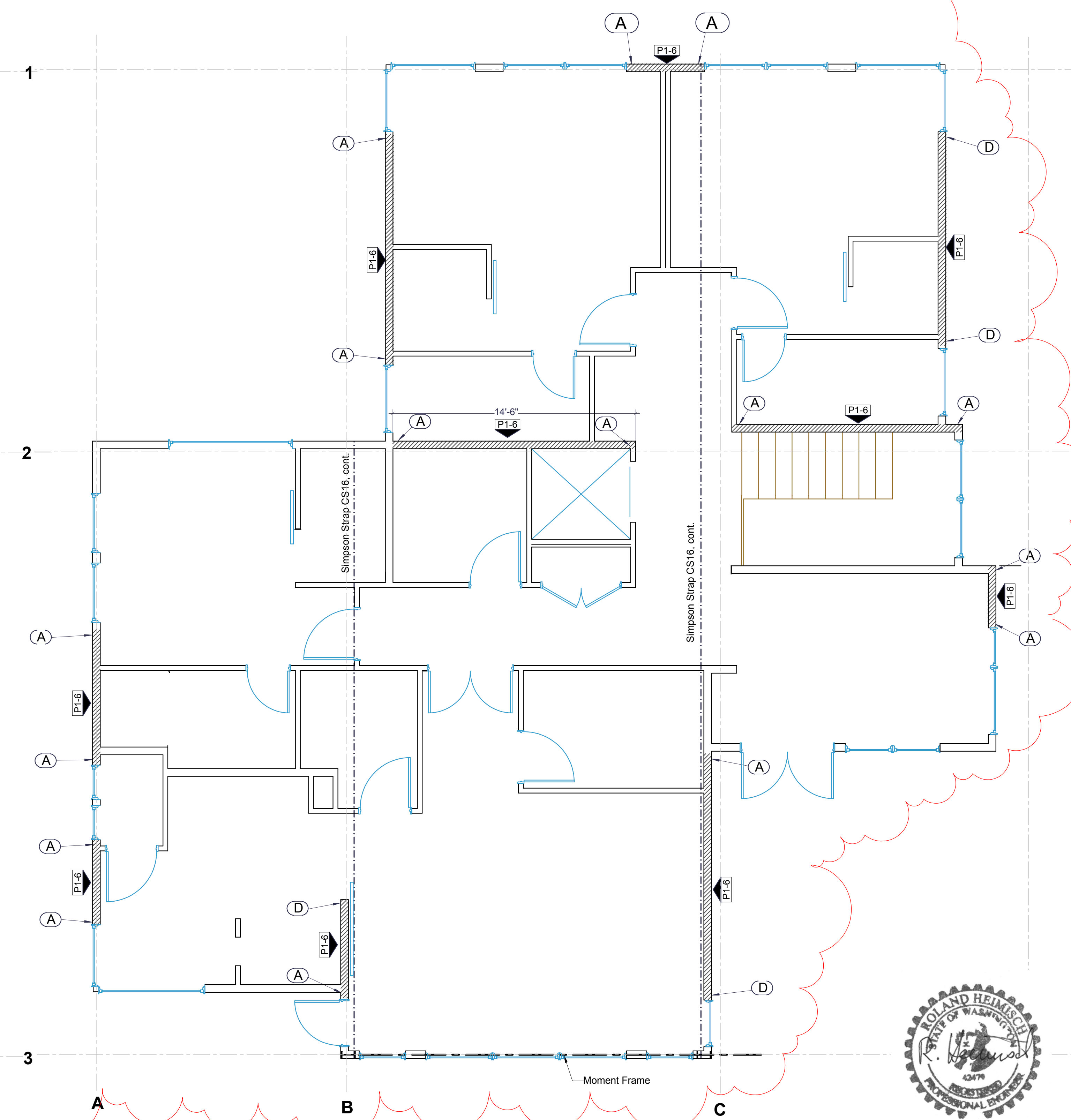
REVISION 06/18/17

tec instruct LLC 6830 NE Bothell Way - Suite C, PMB 181, Kenmore, WA 98028 Telephone (206) 553 9076 - Fax (206) 529 4408 ENGINEERING		
BUILDER:	Barcelo Homes	SHEET
JOB SITE:	4634 E Mercer Way, Mercer Island	
PARCEL NO.:	WA 98040	S8
DESCRIPTION:	new SFR	
DATE:	02/23/15	
ENGINEER:	Roland Heimisch, P. E.	



SECOND LEVEL SHEAR WALL PLAN

SCALE: 1/4" = 1'-0" (1:48)



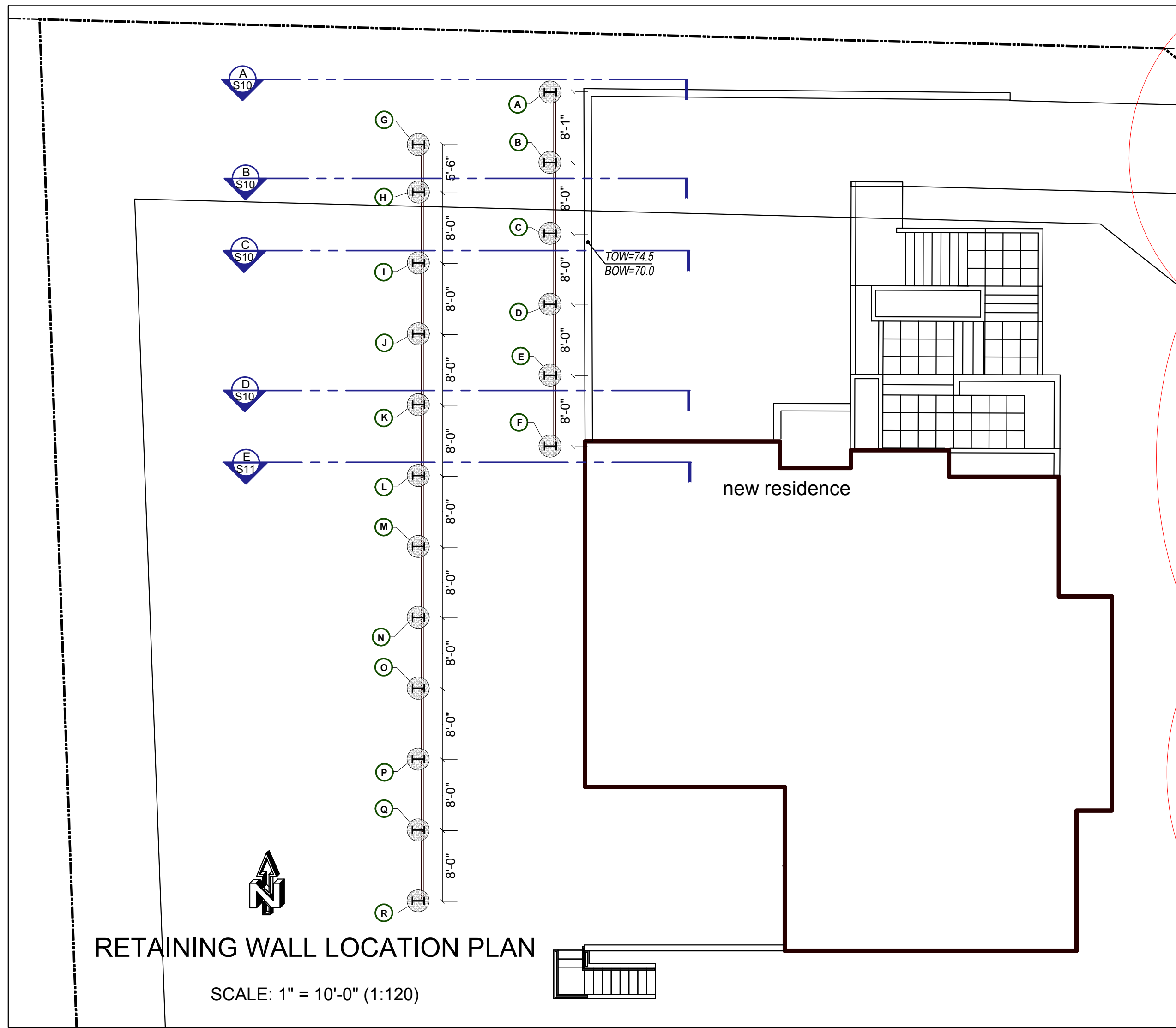
THIRD LEVEL SHEAR WALL PLAN

SCALE: 1/4" = 1'-0" (1:48)



REVISION 06/18/17

tec instruct LLC 6830 NE Bothell Way - Suite C, PMB 181, Kenmore, WA 98028 Telephone (206) 553 9076 - Fax (206) 529 4408 ENGINEERING			S9
BUILDER:	Barcelo Homes	SHEET	
JOB SITE:	4634 E Mercer Way, Mercer Island		
PARCEL NO.:	WA 98040		
DESCRIPTION:	new SFR		
DATE:	02/23/15	SCALE: as noted	
ENGINEER:	Roland Heimisch, P. E.		

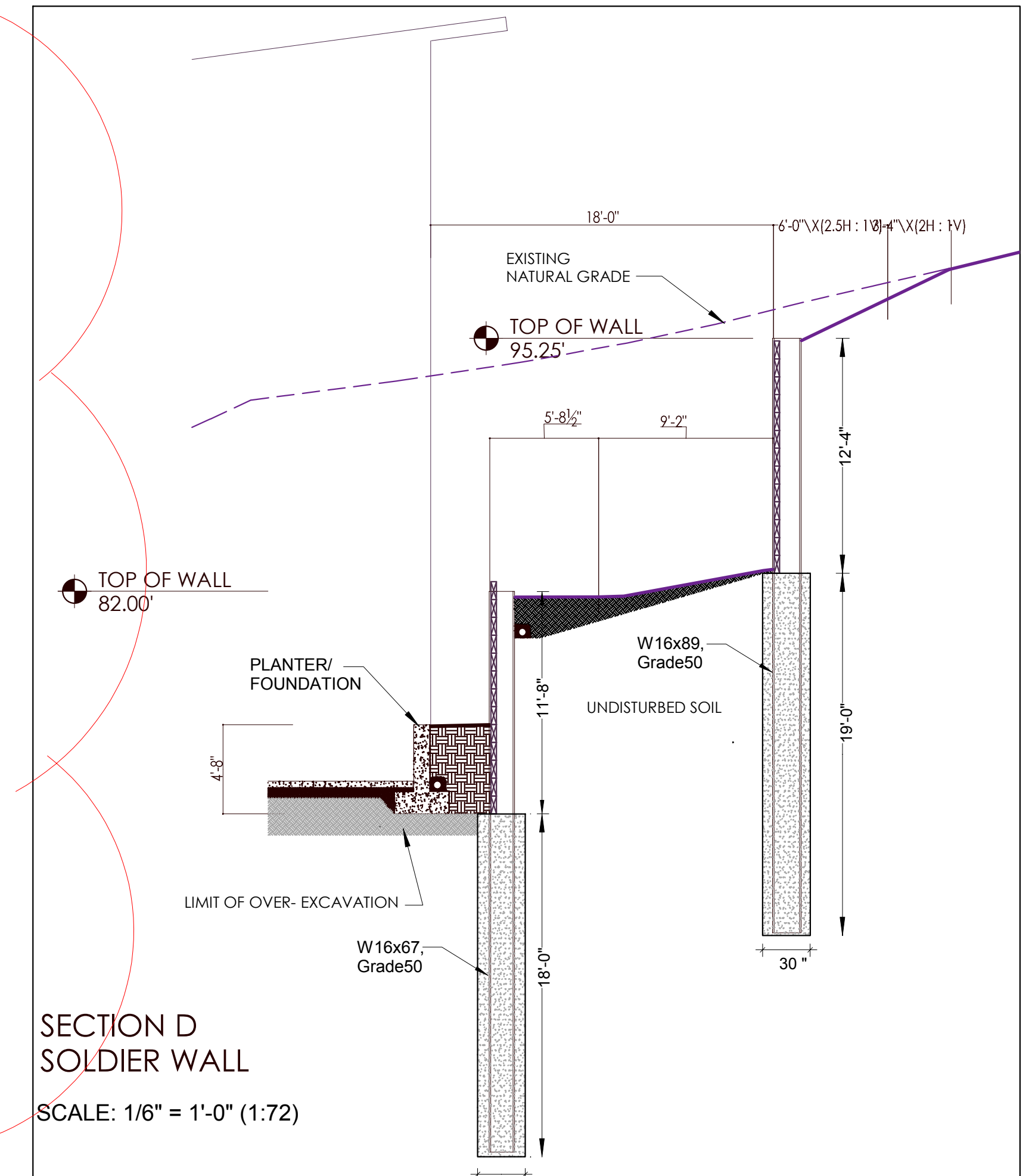


CONTRACTOR TO COORDINATE WITH ARCHITECT & STRUCTURAL ENGINEER ON ALL PENETRATIONS THROUGH RETAINING WALLS, PROVIDING SLEEVES WHERE SHOWN OR REQUIRED.

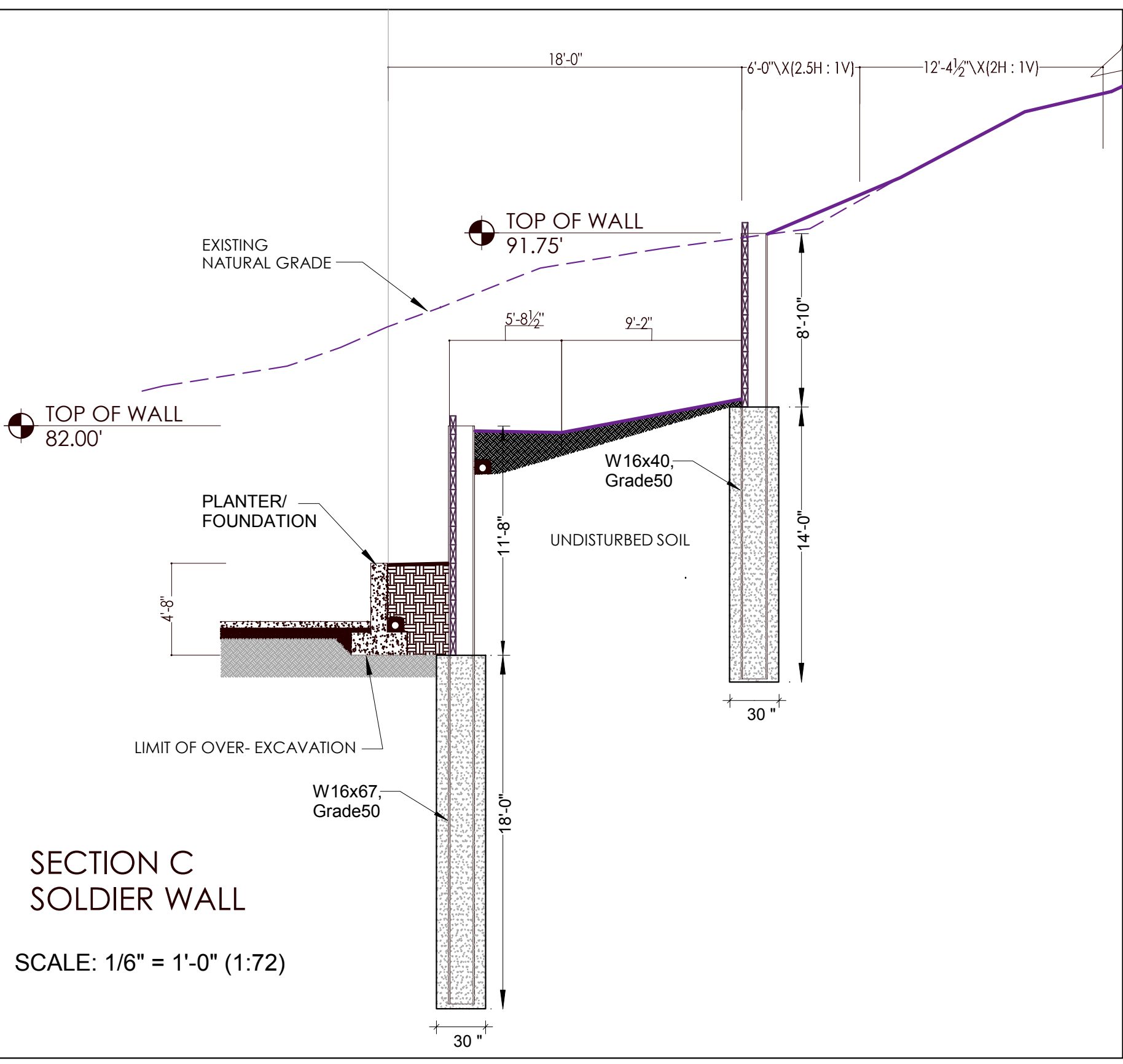
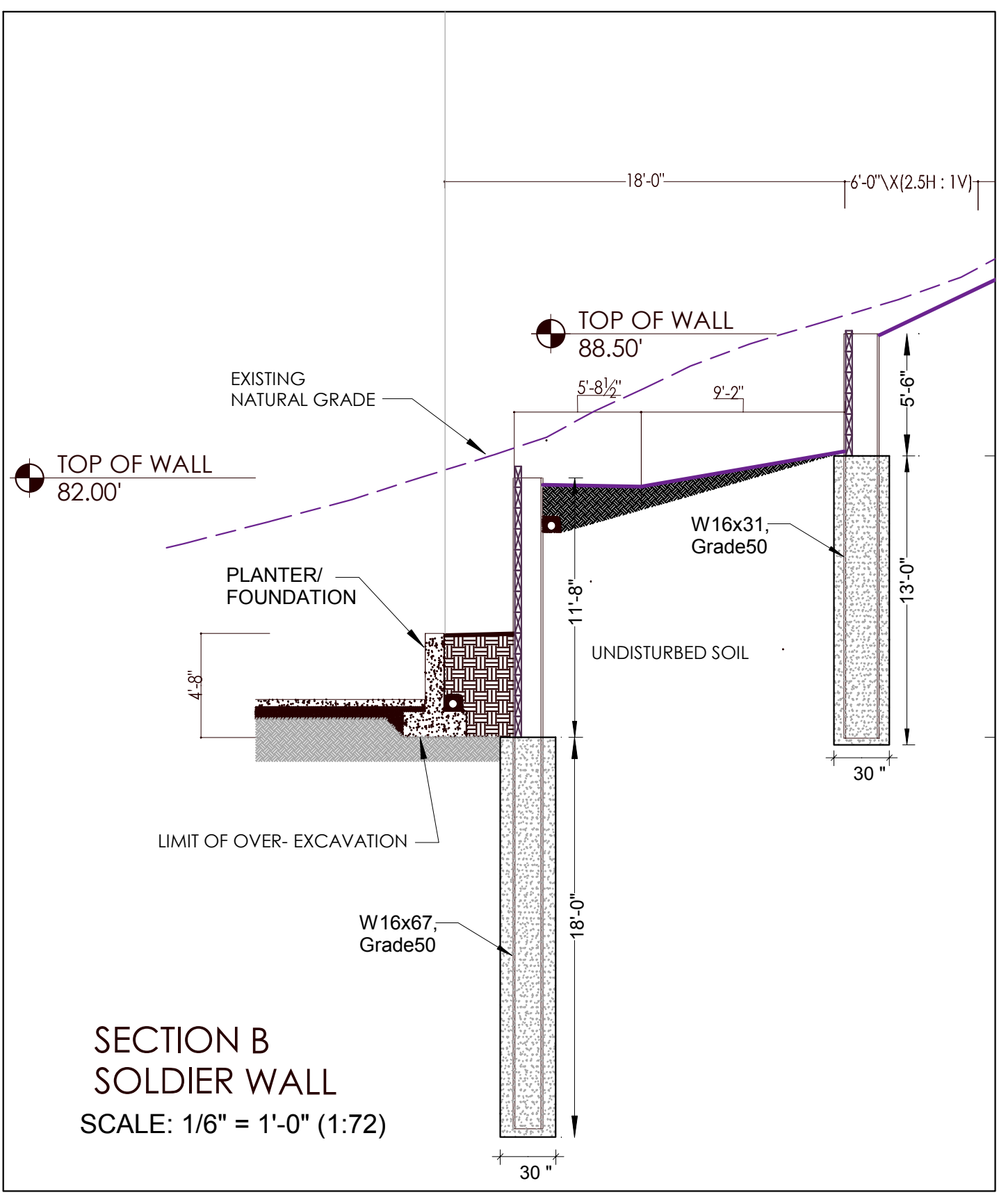
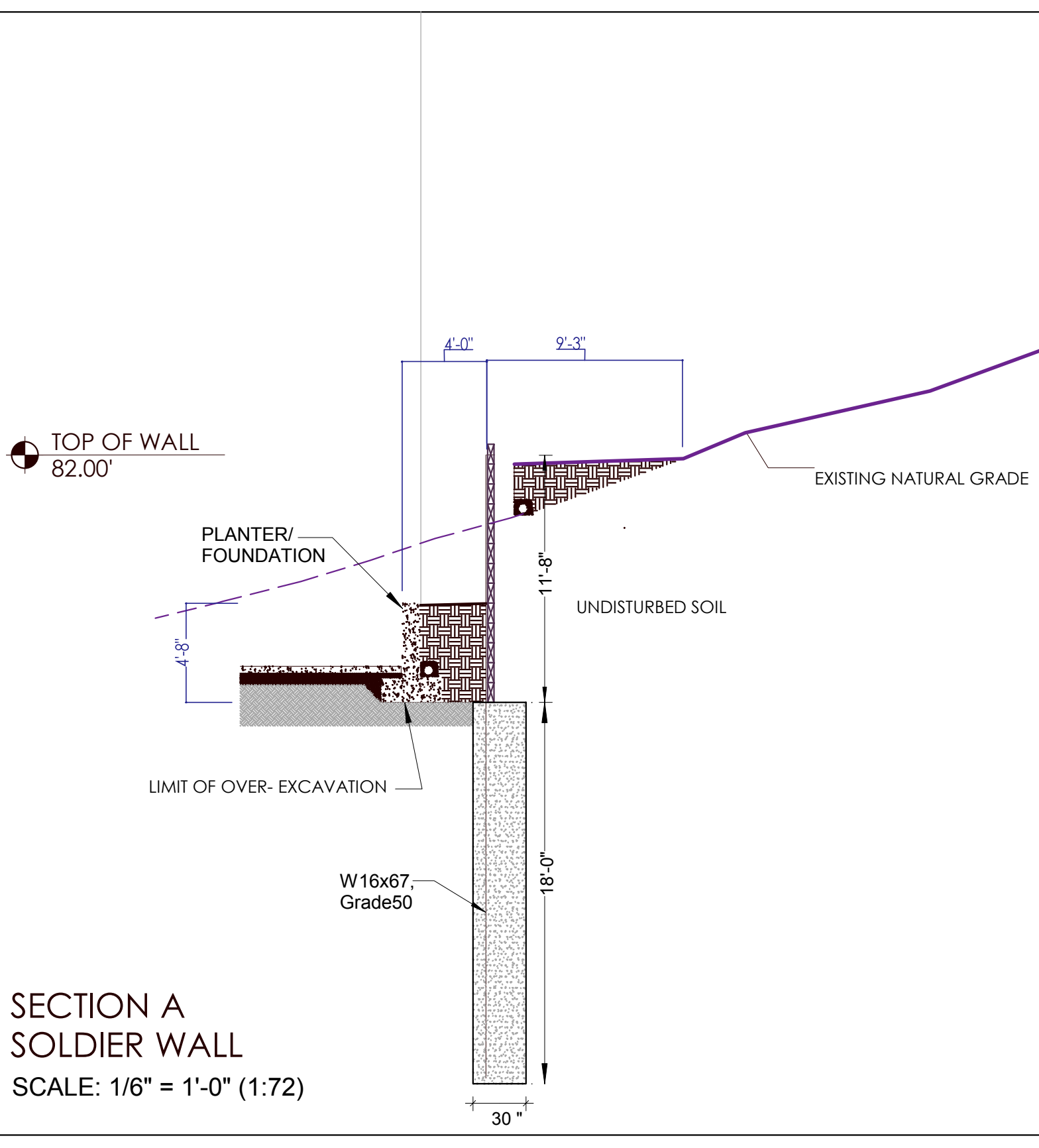
PILE/LAGGING TABLE

	TOP OF PILE	TOP LAGGING (N)	BOTTOM LAGGING (N)	TOP LAGGING (S)	BOTTOM LAGGING (S)	MIN. PILE EMBEDMENT
LOWER SOLDIER PILES, SPACING PER PLAN						
A	82.0	N/A	N/A	82.0	70.3	18ft
B	82.0	82.0	70.3	82.0	70.3	18ft
C	82.0	82.0	70.3	82.0	70.3	18ft
D	82.0	82.0	70.3	82.0	70.3	18ft
E	82.0	82.0	70.3	82.0	70.3	18ft
F	82.0	82.0	70.3	N/A	N/A	18ft
UPPER SOLDIER PILES, SPACING PER PLAN						
G	86.0	N/A	N/A	86.0	83.0	13ft
H	88.5	86.0	83.0	88.5	83.0	13ft
I	91.75	88.5	83.0	91.75	83.0	14ft
J	91.75	91.75	83.0	91.75	83.0	14ft
K	95.3	91.75	83.0	95.3	83.0	19ft
L	95.3	95.3	83.0	95.3	83.0	28ft
M	95.3	95.3	83.0	95.3	83.0	28ft
N	95.3	95.3	83.0	95.3	83.0	28ft
O	95.3	95.3	83.0	95.3	83.0	28ft
P	95.3	94.0	83.0	95.3	83.0	28ft
Q	94.0	94.0	83.0	91.75	83.0	28ft
R	91.75	91.75	83.0	N/A	N/A	28ft

- ALL LAGGING TO BE PRESSURE TREATED.
- PILES SHALL BE COATED WITH CORROSION PROTECTION PAINT.
- USE CONCRETE $f_c = 2,500$ psi TO EMBED PILES



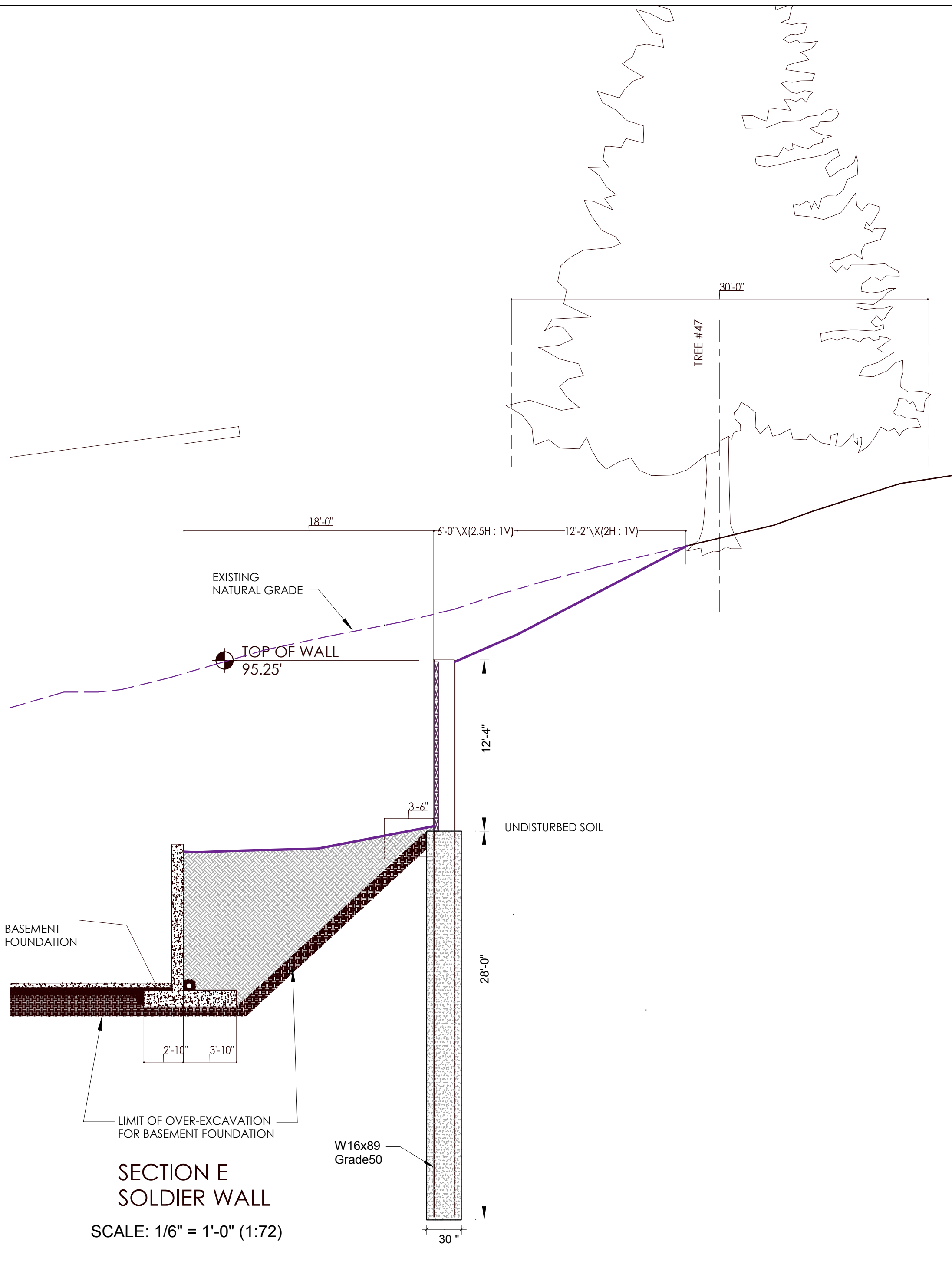
NOTE:
REFER TO GEOTECHNICAL REPORT ADDENDUM
EVALUATION OF SURCHARGE LOAD ON THE SOLDIER PILE WALL
PROPOSED SIGLE-FAMILY RESIDENCE
4634 E MERCER WAY, MERCER ISLAND, WA
FOR FURTHER INFORMATION.



REVISION 08/12/16

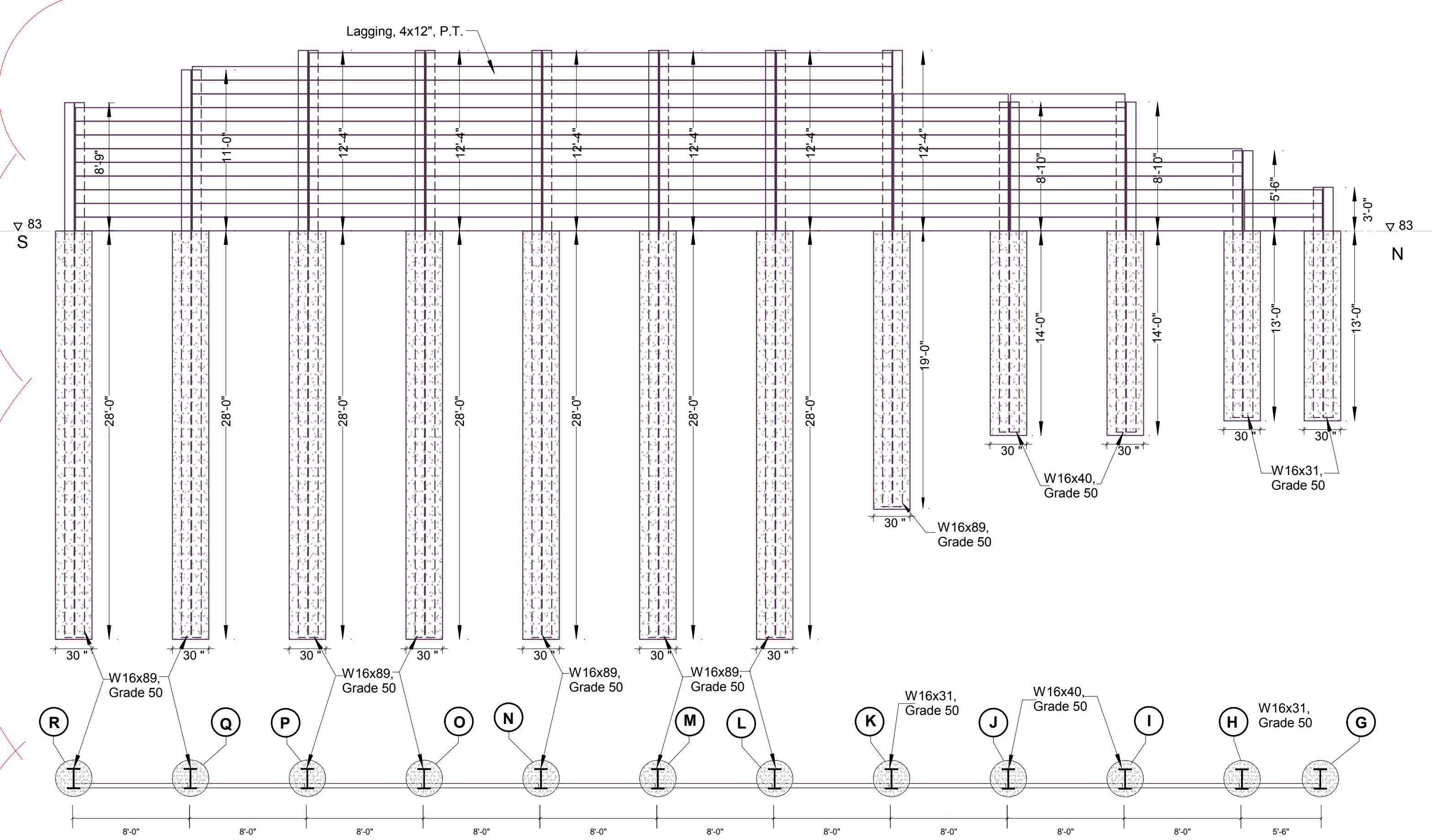
tec instruct LLC
6830 NE Bothell Way - Suite C, PMB 181, Kenmore, WA 98028
Telephone (206) 553 9076 - Fax (206) 529 4408
ENGINEERING

BUILDER:	Barcelo Homes	SHEET
JOB SITE:	4634 E Mercer Way, Mercer Island	S10
PARCEL NO.:	WA 98040	
DESCRIPTION:	Solider Pile Shoring	
DATE:	03/11/15	SCALE: as noted
ENGINEER:	Roland Heimisch, P. E.	



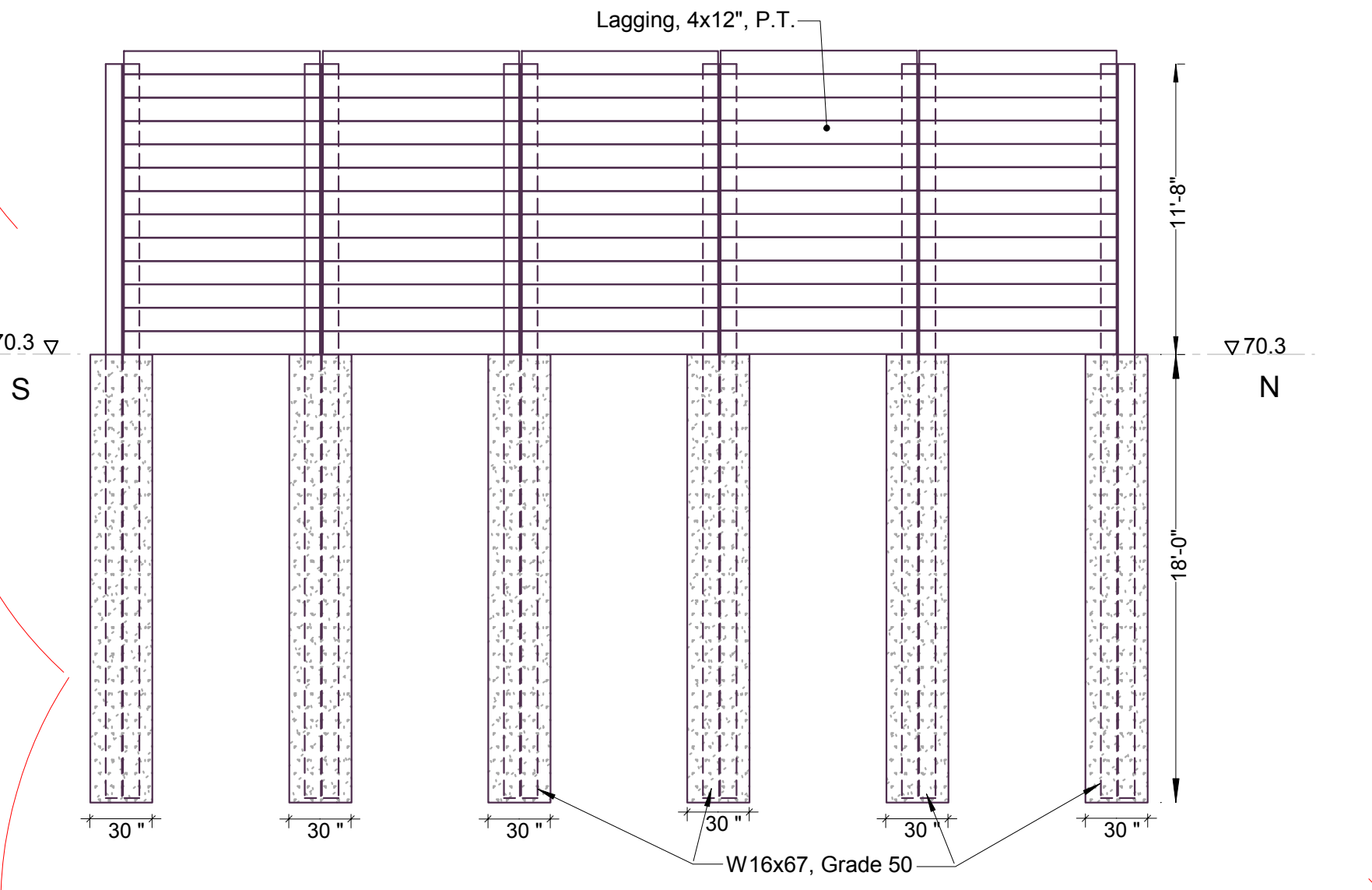
Shoring Construction Sequence

1. Grade and excavate to the top of the upper wall
2. Drill 2.5 ft dia. holes for upper wall to bottom of embedment and install steel piles
3. Dig soil in sections only deep enough to immediately install lagging
Install lagging following the excavation to the top level of the lower wall
4. Drill 2.5 ft dia. holes for lower wall to bottom of embedment and install steel piles
5. Dig soil in sections only deep enough to immediately install lagging
Install lagging following the excavation to the bottom level of the wall



UPPER LINE OF SOLDIER PILE SHORING

SCALE: 1/6" = 1'-0" (1:72)



LOWER LINE OF SOLDIER PILE SHORING

SCALE: 1/6" = 1'-0" (1:72)

KEY NO.	STRUCTURAL MEMBERS
FOUNDATION	
4.9	Lower soldier Pile Wall, all Sections, W16x67, Grade 50
4.10	Upper Soldier Pile Wall, Section B, W16x31, Grade 50
4.11	Upper Soldier Pile Wall, Section C, W16x40, Grade 50
4.12	Upper Soldier Pile Wall, Section D, W16x89, Grade 50
4.13	Soldier Pile Wall, Section E, W16x89, Grade 50



REVISION 08/12/16

tec instruct LLC
6830 NE Bothell Way - Suite C, PMB 181, Kenmore, WA 98028
Telephone (206) 553 9076 - Fax (206) 529 4408
ENGINEERING

BUILDER:	Barcelo Homes	SHEET	
JOB SITE:	4634 E Mercer Way, Mercer Island	S11	
PARCEL NO.:	WA 98040		
DESCRIPTION:	Soldier Pile Shoring		
DATE:	03/11/15		SCALE: as noted
ENGINEER:	Roland Heimisch, P. E.		