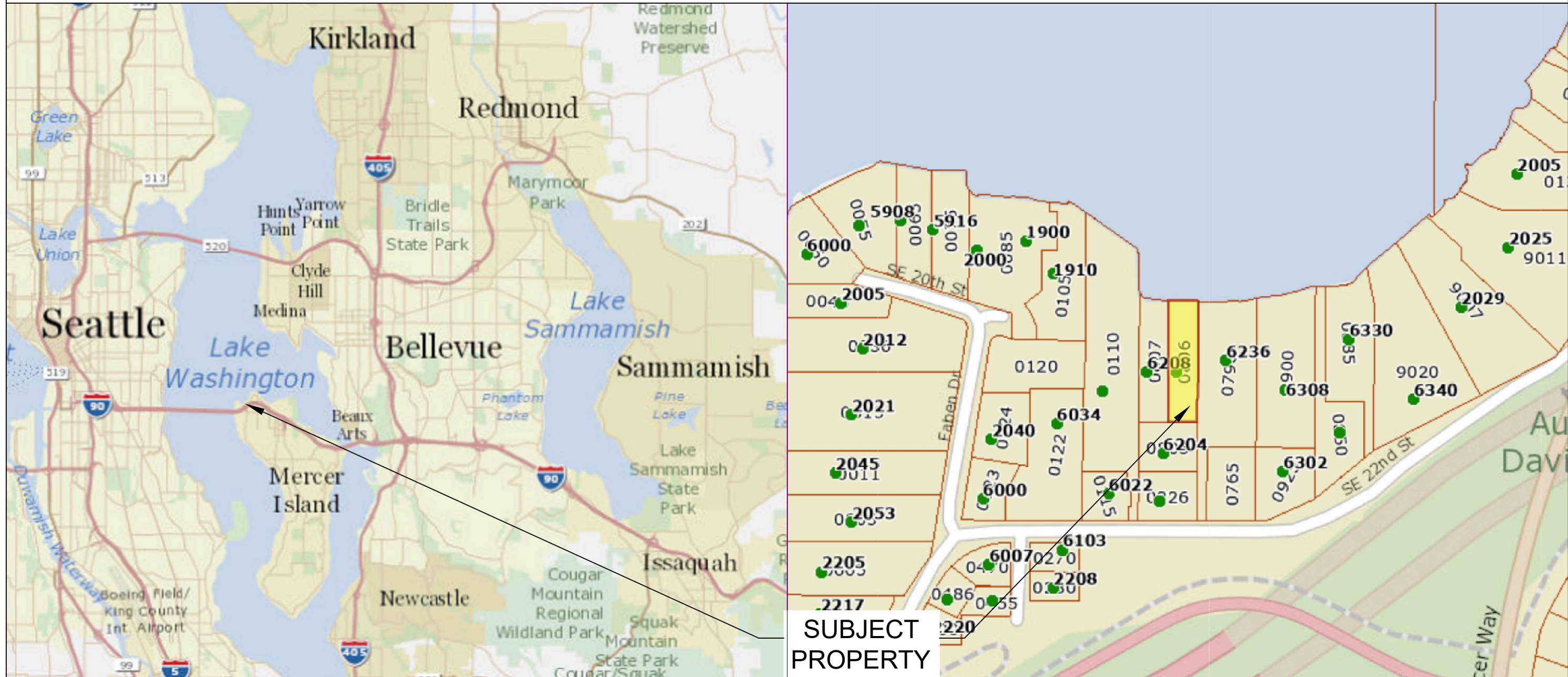


SITE PLAN



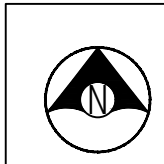
SUBJECT PROPERTY

Pin: 5442300806

Legal Description: MENAGES 1ST ADD TO EAST SEATTLE & POR VAC STS ADJ & SH LDS ADJ LESS W 60 FT THOF & LESS S 200 FT

Plat Block: 10
Plat Lot: 9 THRU 16

Parcel LAT: 47.59196 LONG: -122.25058	Dock LAT: 47.592280 LONG: -122.250527
---	---



Seaborn Pile Driving
1080 W Ewing St
Seattle, WA 98119

Office: 206-236-1700 ext. 3
www.seabornpiledriving.com

Scope of Work: We propose to repair (2) existing piles, remove (1) existing pile, remove the existing swim step, and repair the existing dock with grated decking material.

<p>Datum: CORPS OF ENGINEERS 1919 SE Quarter Of Section 2, Township 24, Range 04</p> <p>Adjacent Owners: LAKEHOUSE 6236 LLC 6236 SE 22nd St 98040</p>	<p>Applicant: Cheever Residence 6210 SE 22nd St Mercer Island, WA 98040</p>	<p>County: King County Location: Lake Washington</p>
<p>Created: 11-08-22</p>	<p>Last Updated: 12/5/2022 9:49 AM Zion</p>	

SHEET 1.0

GENERAL NOTES:

MATERIALS SPEC LIST:

Boat Lifts: Aluminum

- * SL8012ARW - 146" x 167"

Decking Material: FRPP - Fiberglass reinforced polypropylene

Light permeable percentage:

- * Surface - 45%
- * 18" Dock Height - 61%

Sewer:

- * All sewer is field verified by probing the lake bed manually during the allowed work windows for the area.

Piles:

- * All new piles are epoxy coated steel piles *size varies, see plan set
- * Repair piles are done as a sleeve/strap method

CODE REFERENCES: Mercer Island

We are applying for the permit to be reviewed under the:

“Development Standards for Replacement, Repair and Maintenance of Overwater Structures, Including Moorage Facilities” per MIMC 19.13050(F)(2).

2. Development Standards for Replacement, Repair and Maintenance of Overwater Structures, Including Moorage Facilities. The maintenance, repair and complete replacement of legally existing overwater structures is permitted; provided, that:

- i. All permit requirements of federal and state agencies are met;
- ii. The area, width, or length of the structure is not increased, but may be decreased;

The area of the structure will be decreased.

iii. The height of any structure is not increased, but may be decreased; provided, that the height above the OHWM may be increased as provided in subsection (F)(2)(ix)(b) of this section;

Height above OHWM will not change.

iv. The location of any structure is not changed unless the applicant demonstrates to the director’s satisfaction that the proposed change in location results in: (A) a net gain in ecological function, and (B) a higher degree of conformity with the location standards for a new overwater structure;

Location of structure will not change.

v. Piles shall not be treated with pentachlorophenol, creosote, CCA or comparably toxic compounds. If ammoniacal copper zinc arsenate (ACZA) pilings are proposed, the applicant shall meet all of the best management practices, including a post-treatment procedure, as outlined in the amended Best Management Practices of the Western Wood Preservers. All piling sizes are in nominal diameter; Any paint, stain or preservative applied to components of the overwater structure must be leach resistant, completely dried or cured prior to installation. Materials shall not be treated with pentochlorophenol, creosote, CCA or comparably toxic compounds;

All piles will comply.

vii. The applicant shall abide by the work windows for listed species established by the U.S. Army Corps of Engineers and Washington Fish and Wildlife;

Project pending WDFW and CORPS review.

viii. Disturbance of bank vegetation shall be limited to the minimum amount necessary to accomplish the project. Disturbed bank vegetation shall be replaced with native, locally adapted herbaceous and/or woody vegetation. Herbaceous plantings shall occur within 48 hours of the completion of construction. Woody vegetation components shall be planted in the fall or early winter, whichever occurs first. The applicant shall take appropriate measures to ensure revegetation success; Ch. 19.13 Shoreline Master Program | Mercer Island City Code Page 29 of 34 The Mercer Island City Code is current through Ordinance 20C-13, passed June 16, 2020.

Project will comply.

ix. Structural Repair. The structural repair, which may include replacement of framing elements, of moorage facilities that results in the repair of more than 50 percent of the structure’s framing elements within a five-year period shall comply with subsections (F)(2)(ix)(a) through (F)(2)(ix)(c) of this section. For this section, framing elements include, but are not limited to, stringers, piles, pile caps, and attachment brackets, as shown in Figure D:

- a. One hundred percent of the decking area of the pier, dock, and any platform lifts must be fully grated with materials that allow a minimum of 40 percent light transmittance;
- b. The height above the OHWM for moorage facilities, except floats, shall be a minimum of one and one-half feet and a maximum of five feet; and
- c. An existing moorage facility that is five feet wide or more within 30 feet waterward from the OHWM shall be replaced or repaired with a moorage face

Project will comply.

x. Exterior surface repair. The exterior surface repair, which may include the replacement of exterior surface materials of moorage facilities that results in the repair of more than 50 percent of the surface area of the moorage facility's decking, fascia, and platform lifts within a five-year period (see Figure D), shall be required to utilize materials that allow a minimum of 40 percent light transmittance over 100 percent of the dock; and

Project will comply.

xi. Any decking that is removed in the course of repair shall be replaced with decking materials that allow a minimum of 40 percent light transmittance.

Project will comply.

Last permit issued for property: 1610-189 10/25/2016
 Dock established/constructed: 08/17/1976
 * Boat Lift with Moorage Cover permitted: 88014 04/01/1988

<p>County: King County</p> <p>Location: Lake Washington</p>	<p>Applicant: Cheever Residence</p> <p>6210 SE 22nd St Mercer Island, WA 98040</p>	<p>Datum: CORPS OF ENGINEERS 1919 SE Quarter Of Section 2, Township 24, Range 04</p> <p>Adjacent Owners: LAKEHOUSE 6236 LLC 6236 SE 22nd St 98040</p> <p>DAHLBERG ERIC C+ANN E R 6208 SE 22nd St 98040</p>
<p>SHEET 2.0</p>		
<p>NWS-2022-XXX PAGE 2 OF 14</p>		



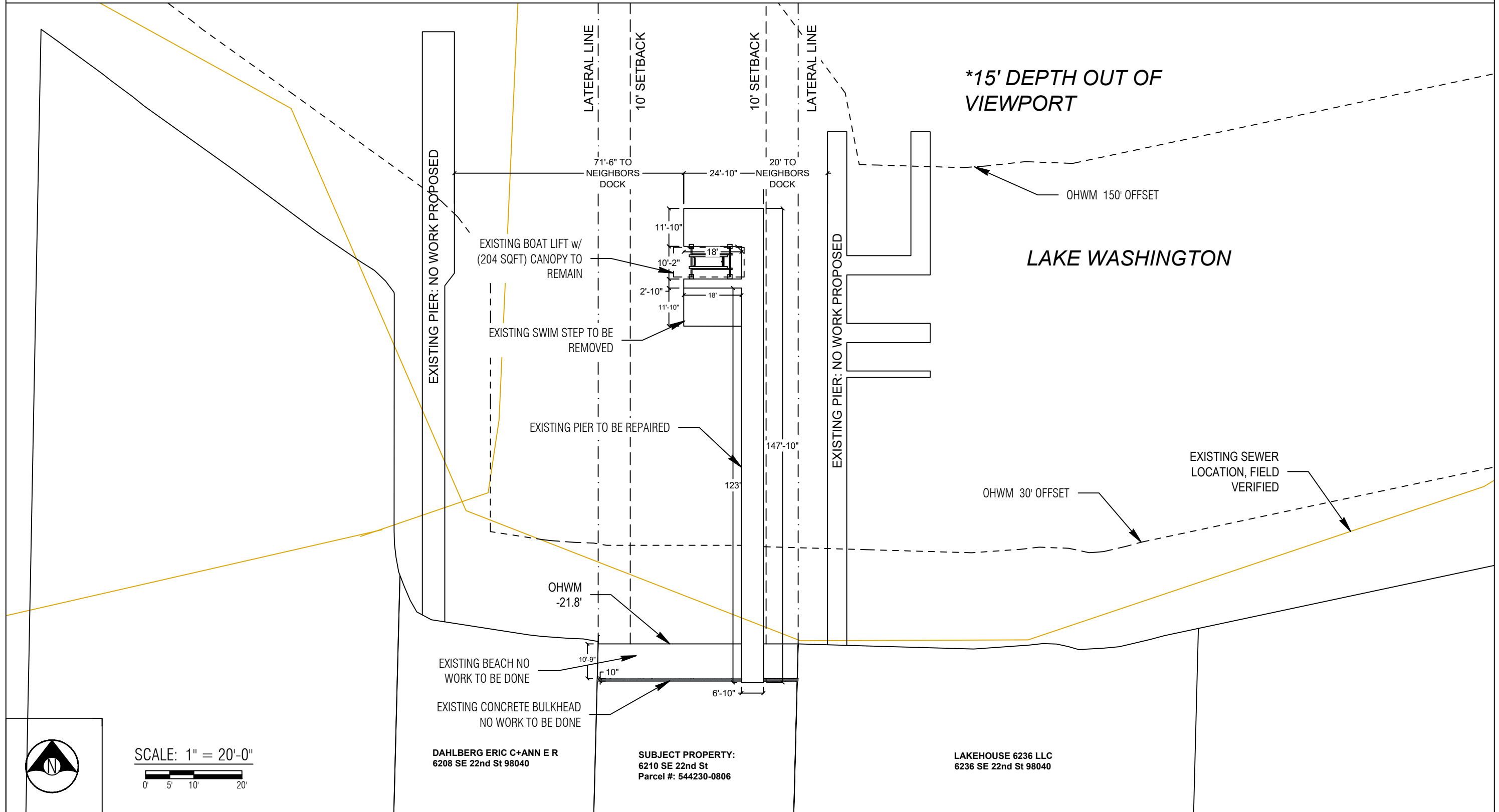
Seaborn Pile Driving
 1080 W Ewing St
 Seattle, WA 98119

Office: 206-236-1700 ext. 3
 www.seabornpiledriving.com

Scope of Work: We propose to repair (2) existing piles, remove (1) existing pile, remove the existing swim step, and repair the existing dock with grated decking material.

EXISTING CONDITIONS

****CLEAN UP LAKE AROUND PROJECT****



SCALE: 1" = 20'-0"
0' 5' 10' 20'



Seaborn Pile Driving
1080 W Ewing St
Seattle, WA 98119

Office: 206-236-1700 ext. 3
www.seabornpiledriving.com

Scope of Work: We propose to repair (2) existing piles, remove (1) existing pile, remove the existing swim step, and repair the existing dock with grated decking material.

Datum: CORPS OF ENGINEERS 1919
SE Quarter Of Section 2, Township 24, Range 04

County: King County
Location: Lake Washington

Applicant: Cheever Residence
6210 SE 22nd St
Mercer Island, WA 98040

Adjacent Owners:
DAHLBERG ERIC C+ANN E R
6208 SE 22nd St 98040
LAKEHOUSE 6236 LLC
6236 SE 22nd St 98040

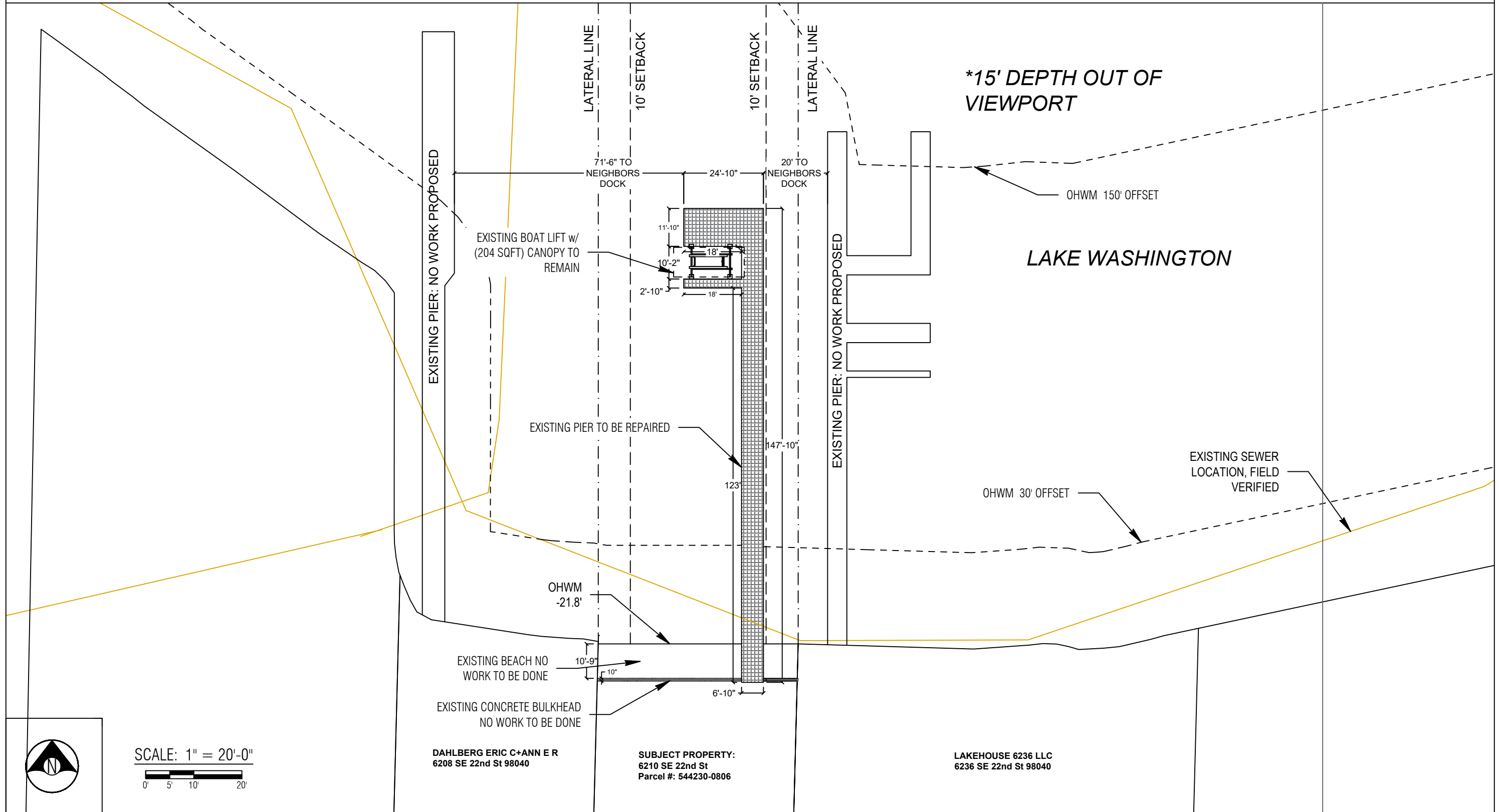
Created: 11-08-22
Last Updated: 12/5/2022 9:49 AM Zion

SHEET
3.0

NWS-2022-XXX
PAGE 3 OF 14

PROPOSED CONDITIONS

****CLEAN UP LAKE AROUND PROJECT****



Datum: CORPS OF ENGINEERS 1919
SE Quarter Of Section 2, Township 24, Range 04

Applicant: Cheever Residence
6210 SE 22nd St
Mercer Island, WA 98040

County: King County
Location: Lake Washington

Adjacent Owners:
LAKEHOUSE 6236 LLC
6236 SE 22nd St 98040
DAHLBERG ERIC C+ANN E R
6208 SE 22nd St 98040

Created: 11-08-22
Last Updated: 12/5/2022 9:49 AM Zion



Seaborn Pile Driving
1080 W Ewing St
Seattle, WA 98119

Office: 206-236-1700 ext. 3
www.seabornpiledriving.com

Scope of Work: We propose to repair (2) existing piles, remove (1) existing pile, remove the existing swim step, and repair the existing dock with grated decking material.

SHEET
4.0

NWS-2022-XXX
PAGE 4 OF 14

PIER DETAILS - EXISTING/PROPOSED PLAN VIEW

LEGEND

- ⊕ (2) EXISTING PILES - TO BE REPAIRED
- ⊗ (1) EXISTING PILE - TO BE REMOVED
- (25) EXISTING PILES - NO WORK

Existing Pier Overwater: 1406 sqft
Existing Pier total: 1489 sqft

New Pier Overwater: 1192 sqft
New Pier total: 1275 sqft

**Grated decking is 43% light permeable

EXISTING

- (15) EXISTING CAPS
- (28) EXISTING PILES
- (99) EXISTING STRINGERS
- (58) EXISTING BRACKETS

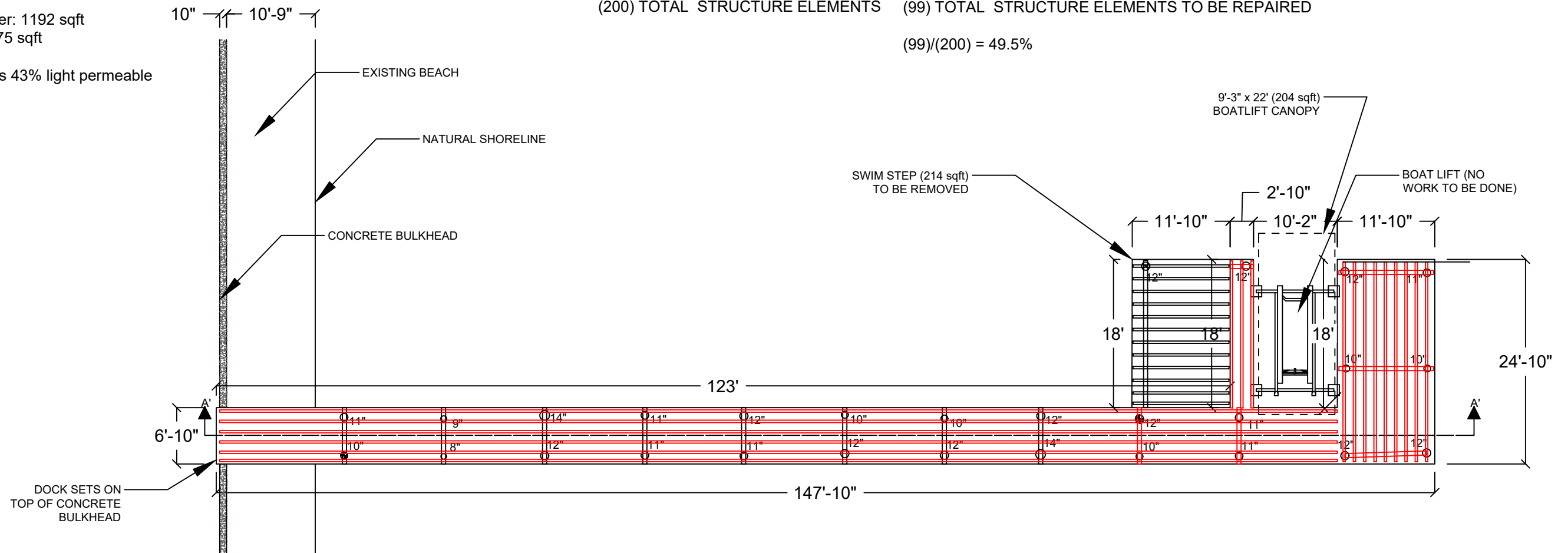
(200) TOTAL STRUCTURE ELEMENTS

TO BE REPAIRED

- (6) EXISTING CAPS TO BE REPAIRED
- (2) EXISTING PILES TO BE REPAIRED
- (87) EXISTING STRINGERS TO BE REPAIRED
- (4) EXISTING BRACKETS TO BE REPAIRED

(99) TOTAL STRUCTURE ELEMENTS TO BE REPAIRED

$(99)/(200) = 49.5\%$



PLAN VIEW



Seaborn Pile Driving
1080 W Ewing St
Seattle, WA 98119

Office: 206-236-1700 ext. 3
www.seabornpiledriving.com

Scope of Work: We propose to repair (2) existing piles, remove (1) existing pile, remove the existing swim step, and repair the existing dock with grated decking material.

County: King County
Location: Lake Washington

Applicant: Cheever Residence
6210 SE 22nd St
Mercer Island, WA 98040

Datum: CORPS OF ENGINEERS 1919
SE Quarter Of Section 2, Township 24, Range 04

Adjacent Owners:
LAKEHOUSE 6236 LLC
6236 SE 22nd St 98040

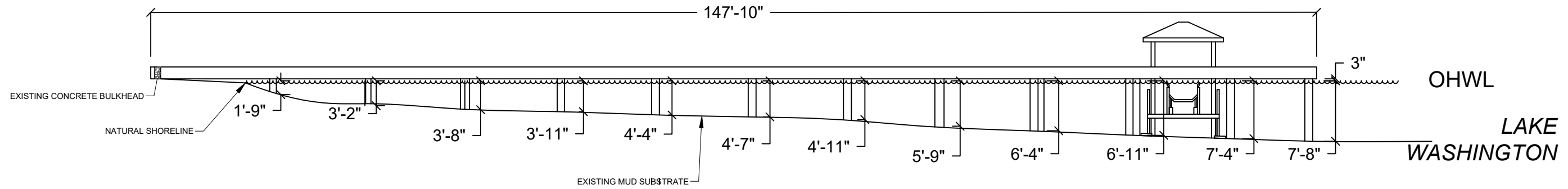
DAHLBERG ERIC C+ANN E R
6208 SE 22nd St 98040

Created: 11-08-22

Last Updated: 12/5/2022 9:49 AM Zion

SHEET
5.0

PIER DETAILS EXISTING/PROPOSED - SECTION VIEW



SECTION VIEW: A'-A'



Seaborn Pile Driving
1080 W Ewing St
Seattle, WA 98119

Office: 206-236-1700 ext. 3
www.seabornpiledriving.com

Scope of Work: We propose to repair (2) existing piles, remove (1) existing pile, remove the existing swim step, and repair the existing dock with grated decking material.

County: King County
Location: Lake Washington

Applicant: Cheever Residence
6210 SE 22nd St
Mercer Island, WA 98040

Datum: CORPS OF ENGINEERS 1919
SE Quarter Of Section 2, Township 24, Range 04

Adjacent Owners:
LAKEHOUSE 6236 LLC
6236 SE 22nd St 98040

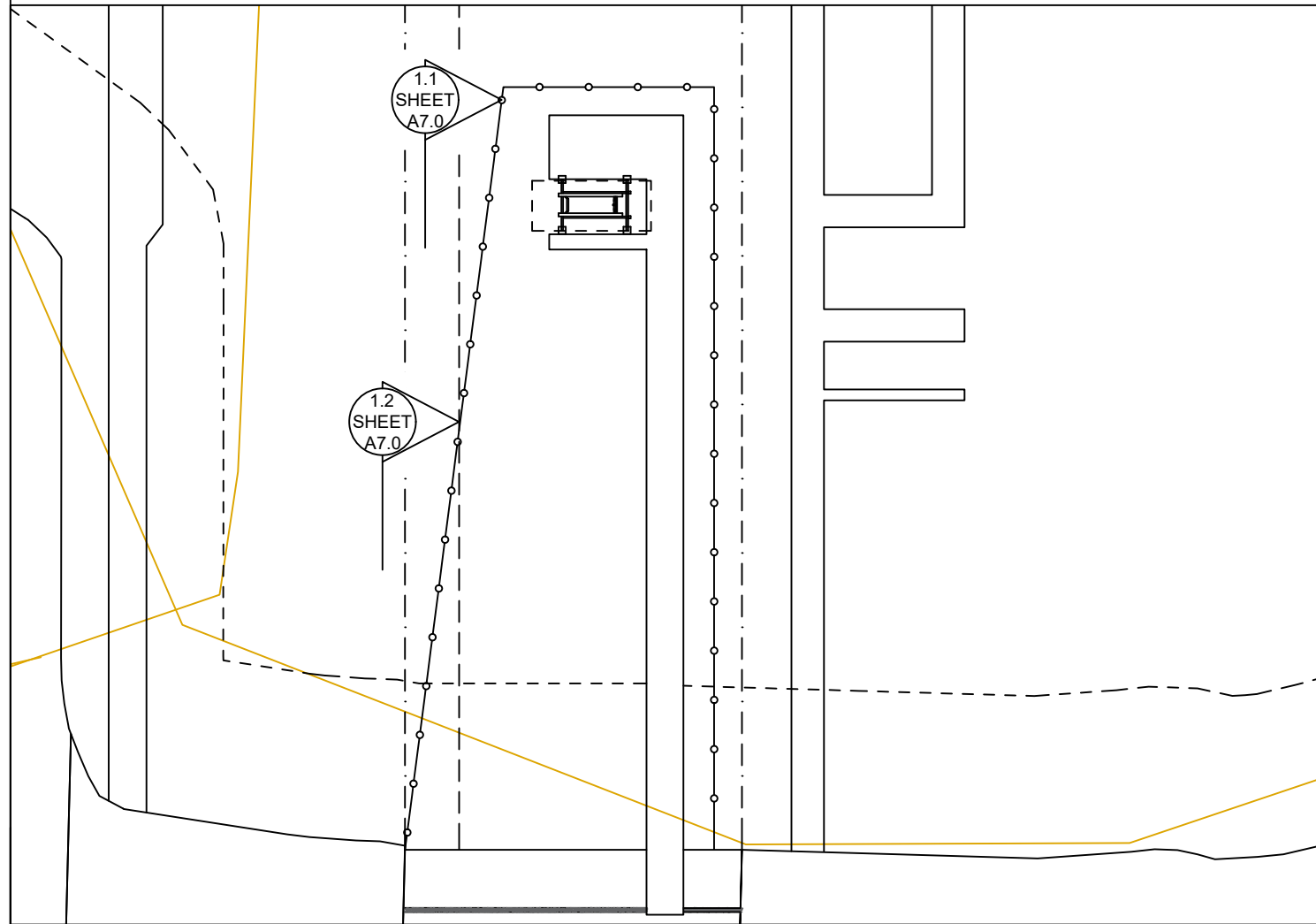
DAHLBERG ERIC C+ANN E R
6208 SE 22nd St 98040

Last Updated: 12/5/2022 9:49 AM Zion

Created: 11-08-22

SHEET
6.0

BMP INFORMATION

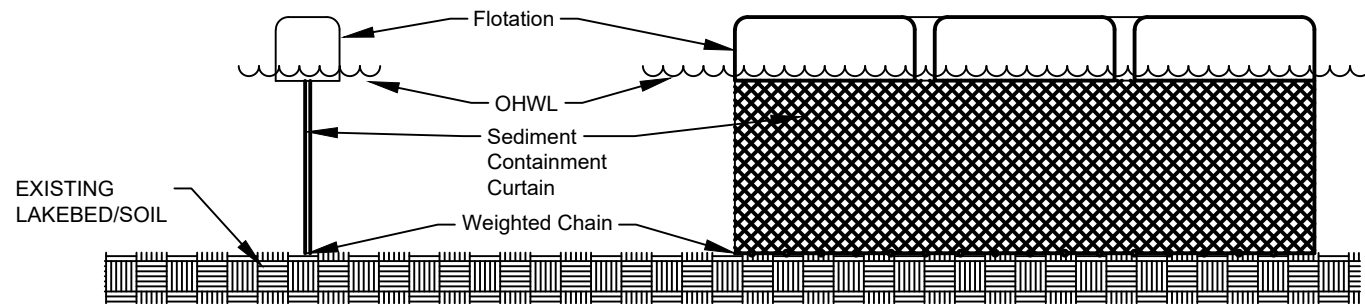


BMP NOTES:

- A. Constant vigilance shall be kept for the presence of protected fish species during all aspects of the proposed action, particularly during in-water activities such as vessel movement, deployment of anchors & spuds, pile driving, dredging, and placement of gravels and other fill.
1. The project manager shall designate an appropriate number of competent observers to survey the project site and adjacent areas for protected species, including the presence of fish as conditions allow.
 2. Visual surveys shall be made prior to the start of work each day, and prior to resumption of work following any break of more than an hour. Periodic additional visual surveys throughout the work day are strongly recommended.
 3. All in-water work shall be done during the in-water work window for the waterbody. Where there is a difference between the USCOE and WDFW work windows, the overlap of the two shall apply.
 4. All pile driving and extraction shall be postponed or halted when obvious aggregations or schooling of fish are observed within 50 yards of that work, and shall only begin/resume after the animals have voluntarily departed the area.
 5. When piloting vessels, vessel operators shall operate at speeds and power settings to avoid grounding vessels, and minimize substrate scour and mobilization of bottom sediments.
- B. No contamination of the marine environment shall result from project-related activities.
1. Appropriate materials to contain and clean potential spills shall be stored and readily available at the work site and/or aboard project-related vessels.
 2. The project manager and heavy equipment operators shall perform daily pre-work equipment inspections for cleanliness and leaks. All heavy equipment operations shall be postponed or halted should a leak be detected, and shall not proceed until the leak is repaired and the equipment is cleaned.
 3. To the greatest extent practicable, utilize biodegradable oils for equipment that would be operated in or near water.
 4. Fueling of land-based vehicles and equipment shall take place at least 50 feet away from the water, preferably over an impervious surface. Fueling of vessels shall be done at approved fueling facilities.
 5. Turbidity and siltation from project-related work shall be minimized and contained through the appropriate use of erosion control practices, effective silt containment devices, and the curtailment of work during adverse weather and tidal/flow conditions.
 6. All wastes shall be collected and contained for proper disposal at approved upland disposal sites appropriate for the material(s).
 7. When removing piles and other similarly treated wood, containment curtain must fully enclose the work area. Wood debris, oils, and any other materials released into lake waters must be collected, removed, and properly disposed of at approved disposal sites.
 8. All in- and over-water wood cutting would be limited to the minimum required to remove the subject wood component, and all cutting work should be enclosed within floating containment curtain.
 9. When removing piles, no actions shall be taken that would cause adhering sediments to return to lake waters.
 10. Above-water containment shall be installed around removed piles to prevent sediment laden waters from returning to lake waters.
 11. Construction staging (including stocking of materials, etc.) will occur on the supply barge.
 12. All Exposed wood to be used on the project will be treated with a cheminite treatment.

DETAIL 1.1

DETAIL 1.2



DETAIL 1.1 & 1.2



Seaborn Pile Driving
1080 W Ewing St
Seattle, WA 98119

Office: 206-236-1700 ext. 3
www.seabornpiledriving.com

Scope of Work: We propose to repair (2) existing piles, remove (1) existing pile, remove the existing swim step, and repair the existing dock with grated decking material.

Datum: CORPS OF ENGINEERS 1919
SE Quarter Of Section 2, Township 24, Range 04

County: King County
Location: Lake Washington

Applicant: Cheever Residence
6210 SE 22nd St
Mercer Island, WA 98040

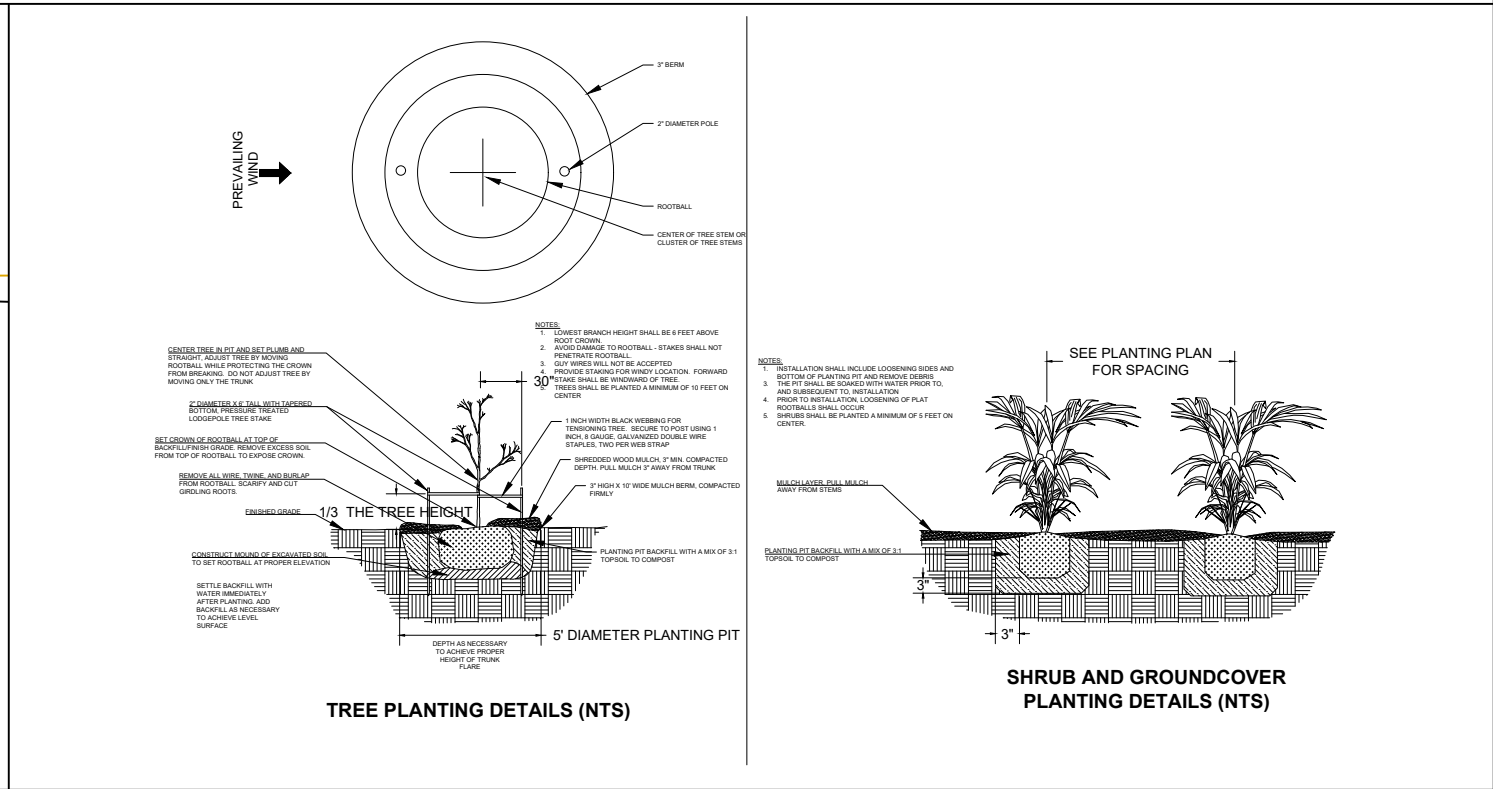
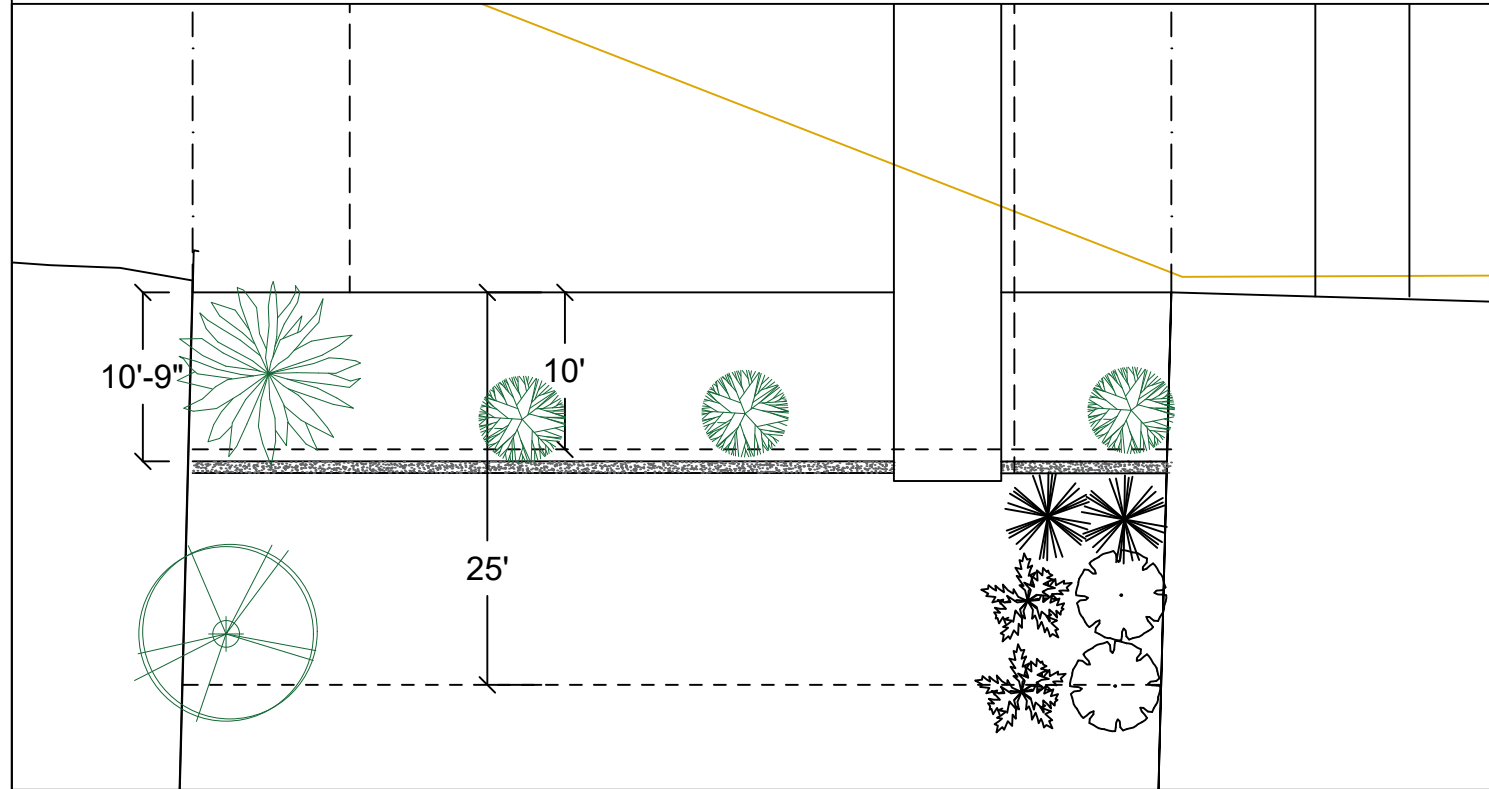
Adjacent Owners:
LAKEHOUSE 6236 LLC
6236 SE 22nd St 98040

DAHLBERG ERIC C+ANN E R
6208 SE 22nd St 98040

Created: 11-08-22
Last Updated: 12/5/2022 9:49 AM Zion

SHEET
7.0

MITIGATION PLAN



- Notes:**
1. Shrubs are show, and shall be planted, at least five feet on center. Trees are show, and shall be planted, at least ten feet to center.
 2. The property owner will implement and abide by the shoreline planting plan. The plants shall be installed before or concurrent with the work authorized by this permit. A report, as-built drawing and photographs demonstrating the plants have been installed or a report on the status of project construction will be submitted to the U.S. Army Corps of Engineers, Seattle District, Regulatory Branch, within 12 months from the date of permit issuance. This reporting requirement may be met by completing and submitting a U.S. Army Corps of Engineers approved Report for Mitigation Work Completion form.
 3. The property owner will maintain and monitor the survival of installed shoreline plantings for five years after the U.S. Army Corps of Engineers accepts the as-built report. Installed plants shall achieve 100% survival during monitoring Years 1 and 2. Installed plants shall achieve at least 80% survival during monitoring Years 3, 4 and 5. Percent survival is based on the total number of plants installed in accordance with the approved riparian planting plan. Individual plants that die will be replaced with native riparian species in order to meet the survival performance standards.
 4. The property owner will provide annual monitoring reports for five years (Monitoring Years 1-5). Each annual monitoring report will include written and photographic documentation on plant mortality and replanting efforts and will document whether the performance standards are being met. Photos will be taken from established points and used repeatedly for each monitoring year. In addition to photos at designated points, photo documentation will include a panoramic view of the entire planting area. Submitted photos will be formatted on standard 8 1/2 x 11" paper, dated with the date the photo was taken, and clearly labeled with the direction from which the photo was taken. The photo location points will be identified on an appropriate drawing. Annual shoreline planting monitoring reports will be submitted to the U.S. Army Corps of Engineers, Seattle District, Regulatory Branch, by November 31 of each monitoring year. This reporting requirement may be met by completing and submitting a U.S. Army Corps of Engineers approved Mitigation Planting Monitoring Report form.

PROPOSED PLANTING SPECIES/QUANTITIES

SYMBOL	LATIN NAME	COMMON NAME	QTY	SIZE
	<i>Thuja plicata</i>	Western Red Cedar	1	3 ft
	<i>Pinus contorta v contorta</i>	Shore pine	1	3 ft
	<i>Salix lasiandra</i>	Pacific Willow	3	3 ft

PLANTS: Shrubs to be installed 5ft on center and trees to be installed 10ft on center.

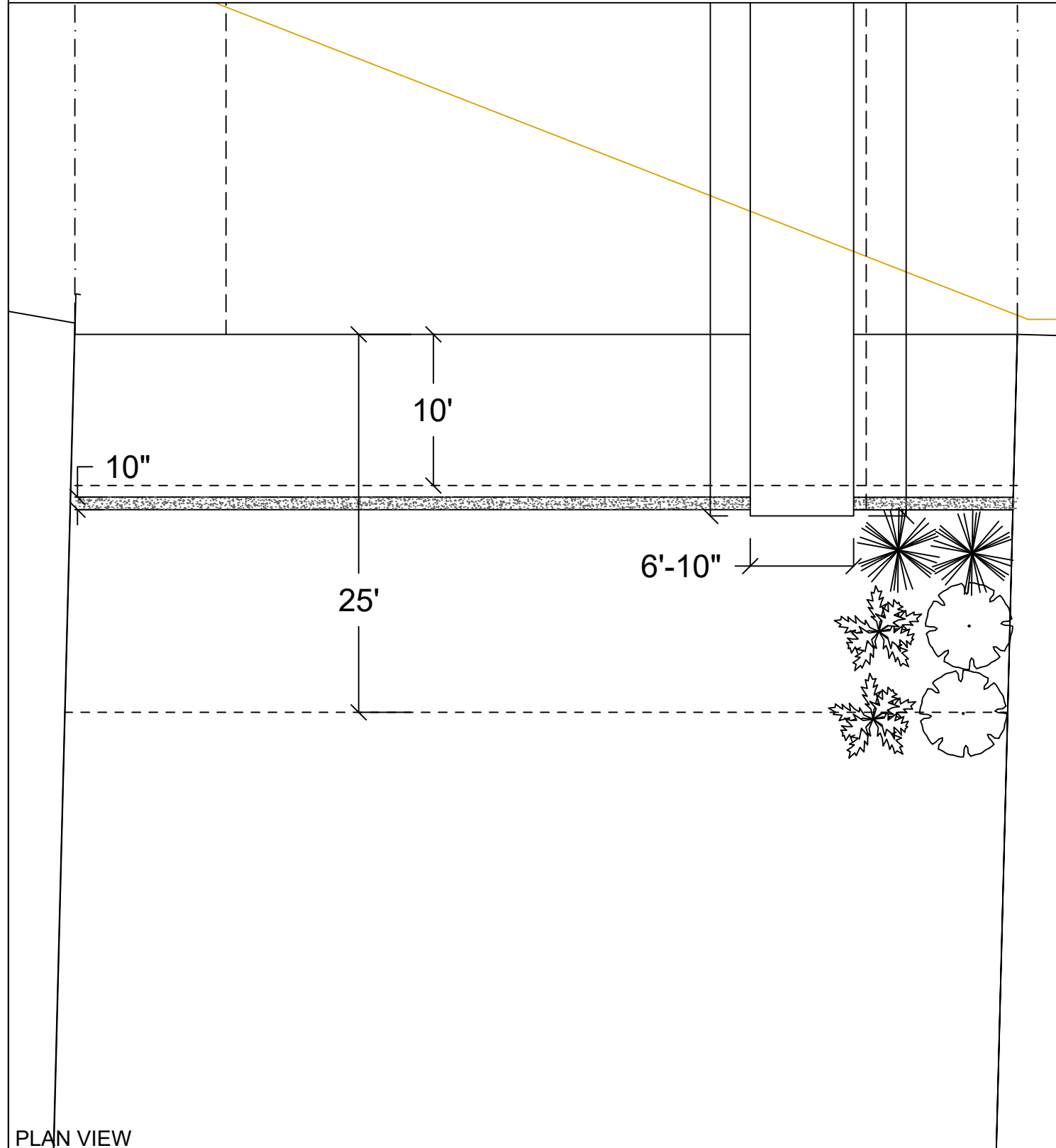


Seaborn Pile Driving
1080 W Ewing St
Seattle, WA 98119
Office: 206-236-1700 ext. 3
www.seabornpiledriving.com

Scope of Work: We propose to repair (2) existing piles, remove (1) existing pile, remove the existing swim step, and repair the existing dock with grated decking material.

County: King County
 Location: Lake Washington
 Applicant: Cheever Residence
 6210 SE 22nd St
 Mercer Island, WA 98040
 Datum: CORPS OF ENGINEERS 1919
 SE Quarter Of Section 2, Township 24, Range 04
 Adjacent Owners:
 LAKEHOUSE 6236 LLC
 6236 SE 22nd St 98040
 DAHLBERG ERIC C+ANN E R
 6208 SE 22nd St 98040
 Created: 11-08-22
 Last Updated: 12/5/2022 9:49 AM Zion
SHEET 8.0
 NWS-2022-XXX
 PAGE 8 OF 14

EXISTING PLANT PLAN



EXISTING PLANTING SPECIES/QUANTITIES

SYMBOL	SCIENTIFIC NAME	COMMON NAME	QTY	SIZE
	<i>Acorus gramineus</i>	Japanese Sweet Flag	2	1'x1'x1'
	<i>Thuja occidentalis</i>	Northern White Cedar	2	~2ft
	<i>Lysimachia clethroides</i>	Gooseneck Loosestrife	2	~ 1ft

EXISTING PLANTS TABLE

County: King County
 Location: Lake Washington
 Applicant: Cheever Residence
 6210 SE 22nd St
 Mercer Island, WA 98040
 Datum: CORPS OF ENGINEERS 1919
 SE Quarter Of Section 2, Township 24, Range 04
 Adjacent Owners:
 LAKEHOUSE 6236 LLC
 6236 SE 22nd St 98040
 DAHLBERG ERIC C+ANN E R
 6208 SE 22nd St 98040
 Created: 11-08-22
 Last Updated: 12/5/2022 9:49 AM Zion



Seaborn Pile Driving
 1080 W Ewing St
 Seattle, WA 98119
 Office: 206-236-1700 ext. 3
www.seabornpiledriving.com

Scope of Work: We propose to repair (2) existing piles, remove (1) existing pile, remove the existing swim step, and repair the existing dock with grated decking material.

SHEET 9.0

GENERAL ENGINEERING NOTES:

GENERAL

- ALL CONSTRUCTION SHALL CONFORM TO THESE PLANS.
- CONTRACTOR SHALL VERIFY ALL LEVELS, DIMENSIONS, AND EXISTING CONDITIONS IN THE FIELD BEFORE PROCEEDING. CONTRACTOR SHALL NOTIFY THE ENGINEER OF ANY DISCREPANCIES OR FIELD CHANGES PRIOR TO INSTALLATION OR FABRICATION. IN CASE OF DISCREPANCIES BETWEEN THE EXISTING CONDITIONS AND THE DRAWINGS, THE CONTRACTOR SHALL OBTAIN DIRECTION FROM THE ENGINEER BEFORE PROCEEDING. DIMENSIONS NOTED AS PLUS OR MINUS (\pm) OR REF INDICATE UNVERIFIED DIMENSIONS AND ARE APPROXIMATE. NOTIFY ENGINEER IMMEDIATELY OF CONFLICTS OR EXCESSIVE VARIATIONS FROM INDICATED DIMENSIONS, NOTED DIMENSIONS TAKE PRECEDENCE OVER SCALED DIMENSIONS – DO NOT SCALE DRAWINGS. DIMENSIONS OF EXISTING CONDITIONS ARE BASED ON RECORD DRAWINGS AND ARE TO BE FIELD-VERIFIED BY THE CONTRACTOR.
- CONTRACTOR SHALL PROVIDE ADEQUATE SHORING AND BRACING OF ALL STRUCTURAL MEMBERS AND EXISTING MEMBERS, AS REQUIRED, AND IN A MANNER SUITABLE TO WORK SEQUENCE. TEMPORARY SHORING AND BRACING SHALL NOT BE REMOVED UNTIL ALL FINAL CONNECTIONS HAVE BEEN COMPLETED IN ACCORDANCE WITH THE DRAWINGS AND MATERIALS HAVE ACHIEVED DESIGN STRENGTH.
- CONTRACTOR SHALL BE RESPONSIBLE FOR ALL SAFETY PRECAUTIONS AND THE METHODS, TECHNIQUES, SEQUENCES AND PROCEDURES REQUIRED TO PERFORM THE WORK.
- ALL MATERIALS SHALL BE NEW, UNO.
- ALL WORK SHALL BE PERFORMED IN STRICT ACCORDANCE WITH THE DRAWINGS, NOTES, AND MANUFACTURER RECOMMENDATIONS. IF THERE ARE ANY CONFLICTS BETWEEN THESE DOCUMENTS, THE ENGINEER SHALL BE CONTACTED FOR DIRECTION.
- THE CONTRACTOR SHALL CAREFULLY DECONSTRUCT EXISTING ELEMENTS AS NECESSARY TO ACCESS THE WORK AREAS. SUCH DECONSTRUCTION MAY INCLUDE, INTERIOR AND EXTERIOR FINISHES. ALL DECONSTRUCTION ELEMENTS SHALL BE RECONSTRUCTED TO MATCH THE ORIGINAL APPEARANCE AND MEET THE REQUIREMENTS OF THE INTERNATIONAL BUILDING CODE.
- ALL MOORAGE COVERS AND LIFTS SHALL BE FREESTANDING AND SHALL NOT BE ATTACHED TO THE DOCK, UNLESS NOTED OTHERWISE.

CODES AND STANDARDS

- ALL METHODS AND MATERIALS SHALL CONFORM TO THE INTERNATIONAL BUILDING CODE, 2018 EDITION.
- AMERICAN SOCIETY OF CIVIL ENGINEERS (ASCE) STANDARD 7-16 MINIMUM DESIGN LOADS FOR BUILDINGS AND OTHER STRUCTURES.
- WOOD WORK SHALL CONFORM TO THE NATIONAL DESIGN SPECIFICATION (NDS) 2018 EDITION.
- AMERICAN SOCIETY FOR TESTING AND MATERIALS, CURRENT EDITION

DESIGN CRITERIA

WIND DESIGN: WIND LOAD IS BASED ON ASCE 7 CHAPTER 29 WITH THE FOLLOWING FACTORS

EXPOSURE CATEGORY = D RISK CATEGORY = II
 $V_{3s} = 98\text{MPH}$ WIND IMPORTANCE FACTOR, $I_w = 1.0$

DESIGN VESSEL IS 30' LONG WITH AVERAGE FREEBOARD OF 11'-6"
 DESIGN VESSEL IS 60' LONG WITH AVERAGE FREEBOARD OF 14'

WAVE LOADS: $P = 328\text{ LBS}$

LIVE LOADS: LIVE LOAD = 40 PSF
 SNOW LOAD = 25 PSF

SEISMIC LOADS: DOCK PILING $R = 2.0$
 SEISMIC IMPORTANCE = 1.0
 $SD_1 = 0.595g$

STRUCTURAL STEEL

- ALL MISCELLANEOUS STEEL SHAPES AND PLATES, EXCEPT AS NOTED BELOW, SHALL CONFORM TO ASTM 36.
- ALL WF SHAPES SHALL CONFORM TO ASTM A992, $F_y = 50\text{ KSI}$
- ALL PILES SHALL CONFORM TO ASTM A252 GRADE 3, $F_y = 45\text{ KSI}$
- ALL BOLTS SHALL BE ASTM A307, UNO.
- ALL NUTS SHALL BE ASTM A563, UNO.
- ALL WASHERS SHALL BE ASTM F436, UNO.
- ALL THREADED RODS SHALL CONFORM TO ASTM F1554, GRADE 36.
- ALL STEEL MEMBERS AND FASTENERS THAT ARE NOT EPOXY COATED SHALL BE HOT DIPPED GALVANIZED IN ACCORDANCE WITH ASTM A153 AS APPLICABLE.

WELDING

- ALL WELDING SHALL BE PERFORMED BY WELDERS QUALIFIED FOR THE WELD AND POSITION SHOWN IN ACCORDANCE WITH AWS AND HAVING CURRENT CERTIFICATION FROM WABO.
- ALL WELDS SHALL BE PERFORMED WITH PROCEDURES PREQUALIFIED OR QUALIFIED IN ACCORDANCE WITH AWS D1.1.
- THE WELDS SHOWN ARE FOR THE FINAL CONNECTIONS, FIELD WELD SYMBOLS ARE SHOWN WHERE FIELD WELDS ARE REQUIRED BY THE STRUCTURAL DESIGN. THE CONTRACTOR IS RESPONSIBLE FOR DETERMINING IF A WELD SHOULD BE SHOP OR FIELD WELDED IN ORDER TO FACILITATE THE STRUCTURAL STEEL ERECTION.
- WELDING ELECTRODES SHALL BE 70 KSI STRENGTH AND SHALL BE "LOW-HYDROGEN ELECTRODES."

WOOD

- EACH PIECE OF LUMBER SHALL BEAR A STAMP INDICATING A GRADE MARK OF THE WEST COAST LUMBER INSPECTION BUREAU (WCLIB), WESTERN WOOD PRODUCTS ASSOCIATION (WWPA), OR OTHER AGENCY ACCREDITED BY THE AMERICAN STANDARD COMMITTEE (ALSC).
- DIMENSION LUMBER SHALL BE P.T. DOUG-FIR NO 2 OR BETTER, UNLESS NOTED OTHERWISE.
- STRUCTURAL GLUED LAMINATED TIMBER SHALL BE ALASKAN CEDAR AC.AC 20F-V12.
- WOOD SHALL BE SEASONED DRY WITH A MAXIMUM MOISTURE CONTENT OF 19%.
- PRESERVATIVE TREATED WOOD SHALL CONFORM TO THE AMERICAN WOOD PROTECTION ASSOCIATION (AWPA) UC4A. ALL WOOD SHALL BEAR A TREATMENT IDENTIFICATION MARK BY THE CERTIFYING AGENCY.
- ALL BOLT HOLES IN WOOD MEMBERS SHALL BE A MINIMUM OF 1/32" TO MAXIMUM OF 1/16" LARGER THAN THE BOLT DIAMETER. PROVIDE PLATE WASHERS WHERE NUTS, BEAR ON WOOD. CUT WASHERS SHALL MEASURE 2 1/4" ϕ x 3/16" THICK.

GRATING

- DECK GRATING SHALL BE SUNWALK 90 SERIES OR APPROVED EQUAL.

ABBREVIATIONS

@	AT
AWS	AMERICAN WELDING SOCIETY
CL	CENTER LINE
CLR	CLEAR
COL	COLUMN
CONT.	CONTINUOUS
DF	DOUG FIR
EA	EACH
EX OR (E)	EXISTING
GLB	GLULAM BEAM
LLH	LONG LEG HORIZONTAL
MIN	MINIMUM
MNFR	MANUFACTURER
OC	ON CENTER
OPP	OPPOSITE
PL	PLATE
PSI	POUNDS PER SQUARE INCH
PSF	POUNDS PER SQUARE FOOT
P.T.	PRESERVATIVE TREATED
SF	SQUARE FOOT
REF	REFERENCE
SIM	SIMILAR
SS	STAINLESS STEEL
t	THICK
TYP	TYPICAL
UNO	UNLESS NOTED OTHERWISE
VF	VERIFY IN FIELD
WABO	WASHINGTON ASSOCIATION OF BUILDING OFFICIALS
WF	WIDE FLANGE
W/	WITH



Seaborn Pile Driving
 1080 W Ewing St
 Seattle, WA 98119

Office: 206-236-1700 ext. 3
www.seabornpiledriving.com

Scope of Work: We propose to repair (2) existing piles, remove (1) existing pile, remove the existing swim step, and repair the existing dock with grated decking material.

County: King County
 Location: Lake Washington

Applicant: Cheever Residence
 6210 SE 22nd St
 Mercer Island, WA 98040

Datum: CORPS OF ENGINEERS 1919
 SE Quarter Of Section 2, Township 24, Range 04

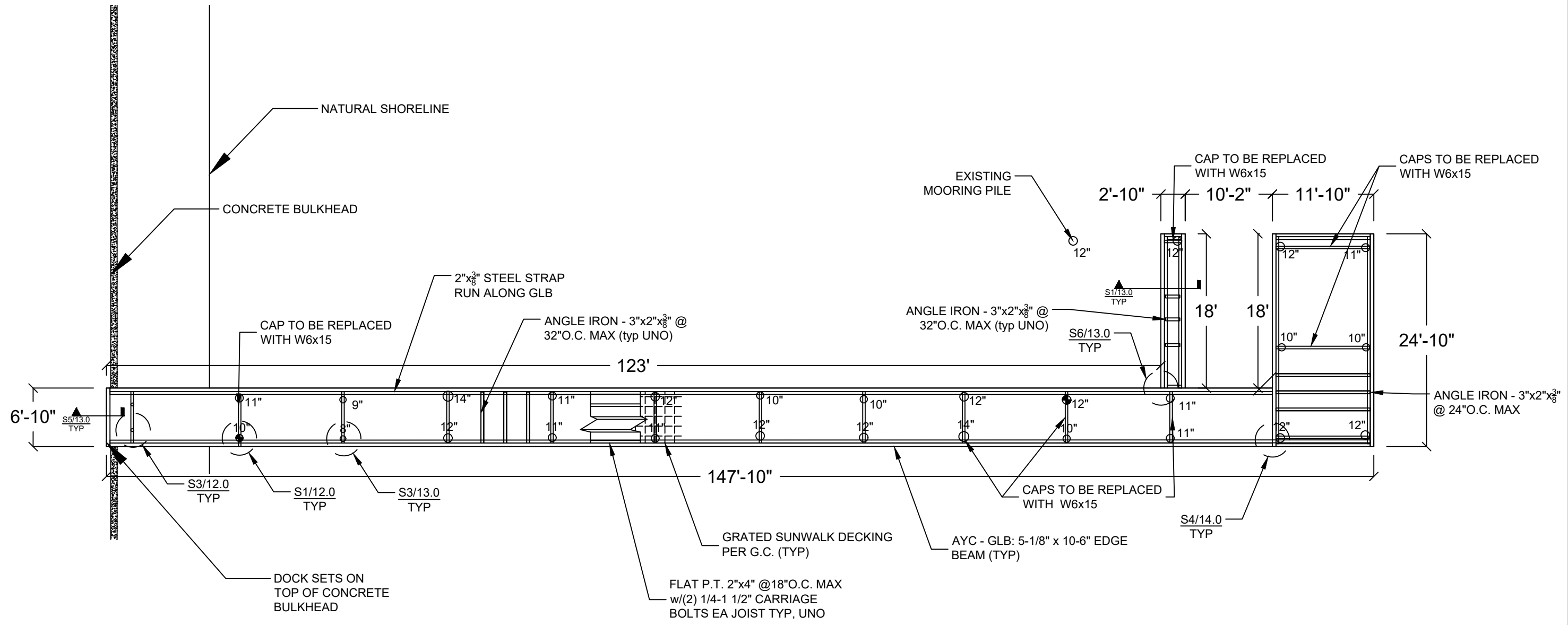
Adjacent Owners:
 LAKEHOUSE 6236 LLC
 6236 SE 22nd St 98040

Last Updated: 12/5/2022 9:49 AM Zion

Created: 11-08-22

SHEET
10.0

FRAMING PLAN



County: King County
 Location: Lake Washington

Applicant: Cheever Residence
 6210 SE 22nd St
 Mercer Island, WA 98040

Datum: CORPS OF ENGINEERS 1919
 SE Quarter Of Section 2, Township 24, Range 04

Adjacent Owners:
 LAKEHOUSE 6236 LLC
 6236 SE 22nd St 98040

DAHLBERG ERIC C+ANN E R
 6208 SE 22nd St 98040

Last Updated: 12/5/2022 9:49 AM Zion

Created: 11-08-22



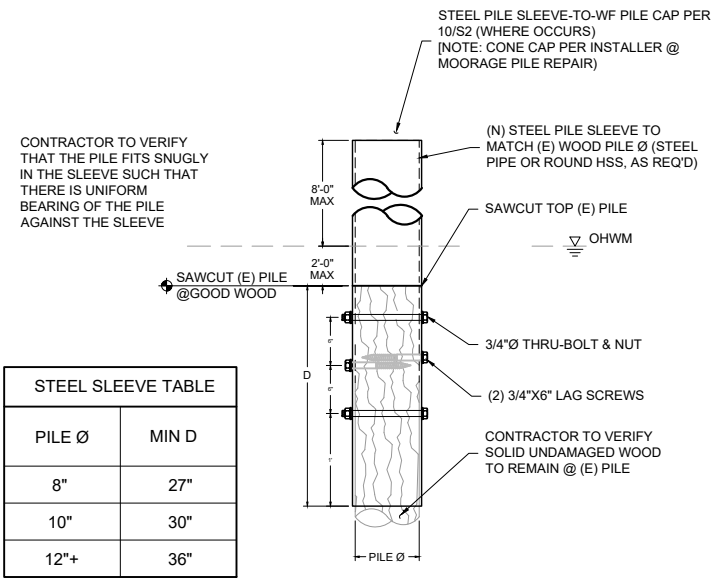
Seaborn Pile Driving
 1080 W Ewing St
 Seattle, WA 98119

Office: 206-236-1700 ext. 3
 www.seabornpiledriving.com

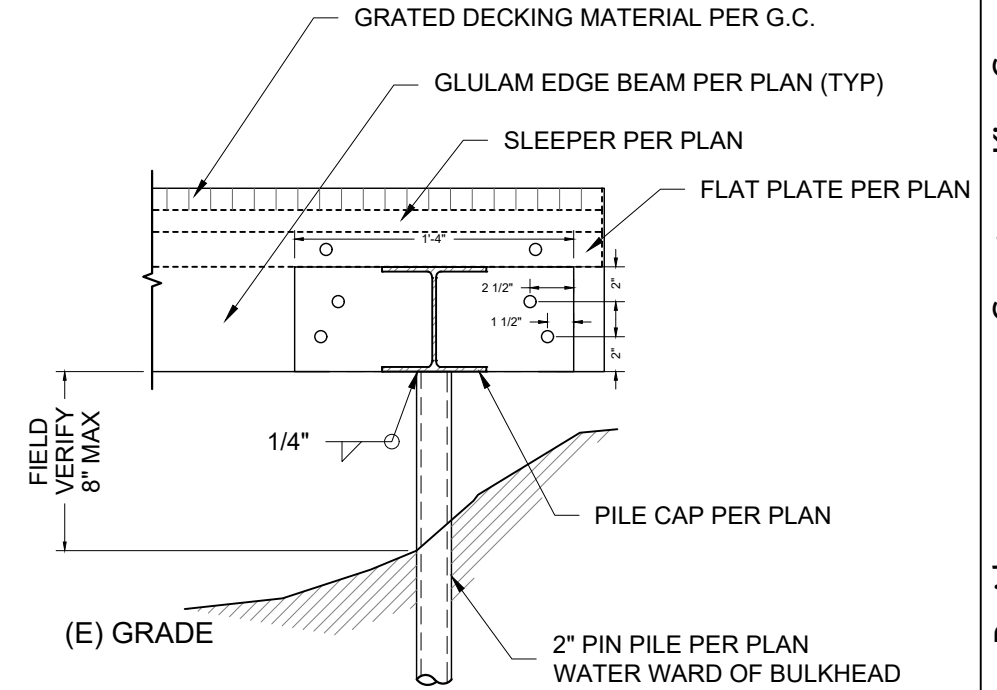
Scope of Work: We propose to repair (2) existing piles, remove (1) existing pile, remove the existing swim step, and repair the existing dock with grated decking material.

SHEET
11.0

DETAILS - REPAIR



S1 SLEEVE PILE REPAIR - TYP
SCALE: 1/2" = 1'



S3 PIN PILES AT SHORELINE
SCALE: NTS

S4 DETAILS NOT IN USE

S5 DETAIL NOT IN USE

Scope of Work: We propose to repair (2) existing piles, remove (1) existing pile, remove the existing swim step, and repair the existing dock with grated decking material.



Seaborn Pile Driving
1080 W Ewing St
Seattle, WA 98119

Office: 206-236-1700 ext. 3
www.seabornpiledriving.com

King County
Lake Washington

Cheever Residence
6210 SE 22nd St
Mercer Island, WA 98040

CORPS OF ENGINEERS 1919
SE Quarter Of Section 2, Township 24, Range 04

Adjacent Owners:
LAKEHOUSE 6236 LLC
6236 SE 22nd St 98040

DAHLBERG ERIC C+ANN E R
6208 SE 22nd St 98040

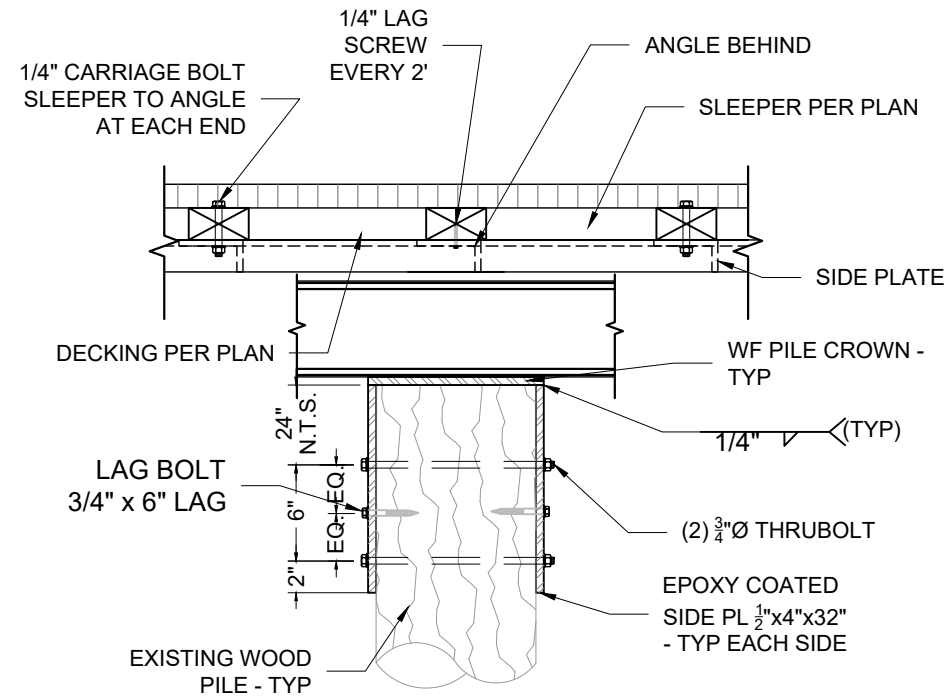
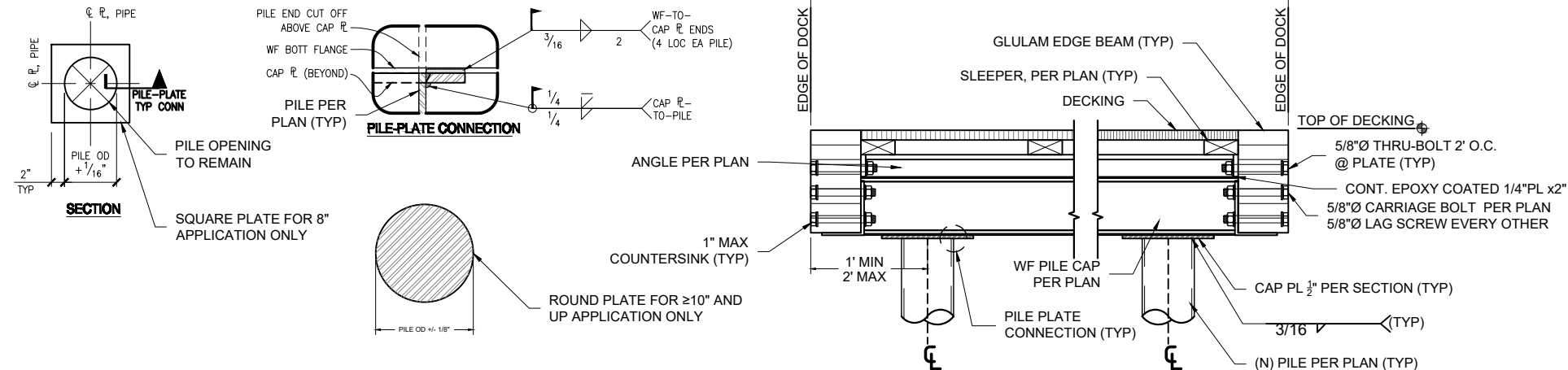
SHEET
12.0

NWS-2022-XXX
PAGE 12 OF 14

Created: 11-08-22

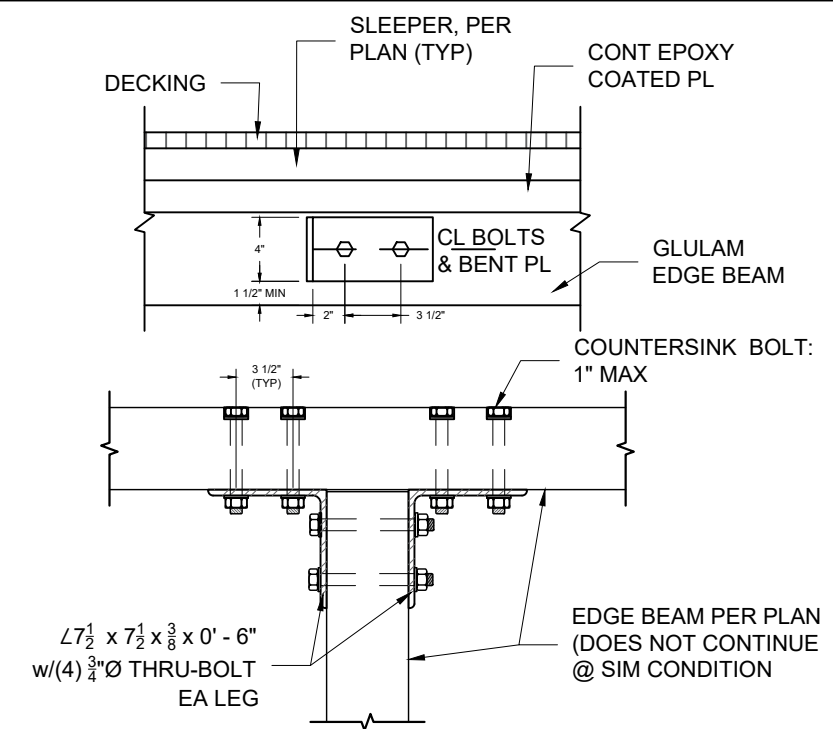
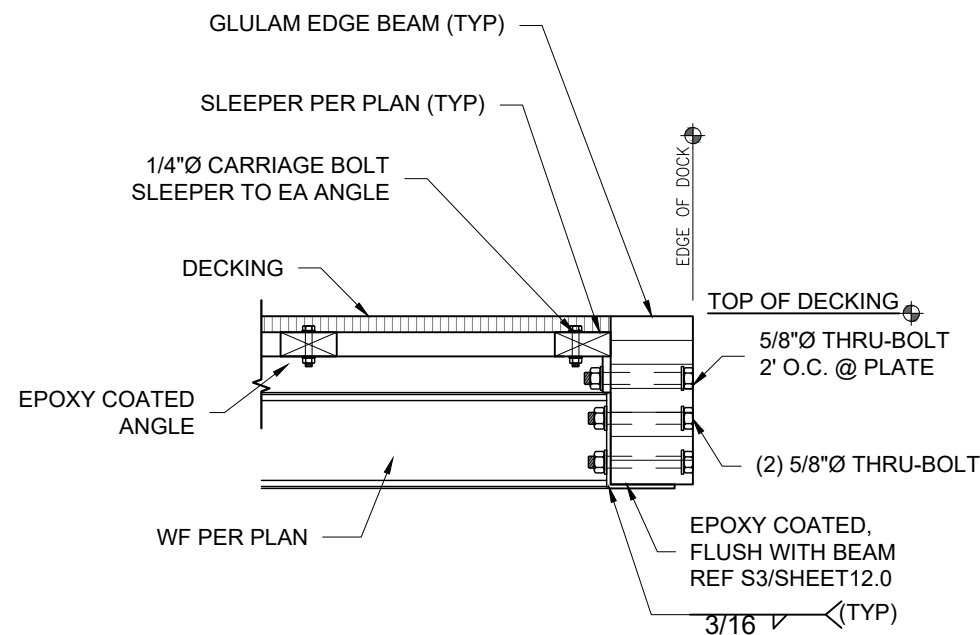
Last Updated: 12/5/2022 9:49 AM Zion

DETAILS - TRACK



S1 DOCK SECTION w/PILES - TYP
SCALE: 1" = 1'

S3 I-BEAM CAP TO WOOD PILE - TYP
SCALE: 1" = 1'



S4 DETAIL NOT IN USE

S5 EDGE SECTION (STEEL TRACK) - TYP
SCALE: 1" = 1'

S6 BEAM TO BEAM - TYP
SCALE: 1" = 1'



Seaborn Pile Driving
1080 W Ewing St
Seattle, WA 98119
Office: 206-236-1700 ext. 3
www.seabornpiledriving.com

Scope of Work: We propose to repair (2) existing piles, remove (1) existing pile, remove the existing swim step, and repair the existing dock with grated decking material.

County: King County
Location: Lake Washington
Applicant: Cheever Residence
6210 SE 22nd St
Mercer Island, WA 98040
Datum: CORPS OF ENGINEERS 1919
SE Quarter Of Section 2, Township 24, Range 04
Adjacent Owners:
LAKEHOUSE 6236 LLC
6236 SE 22nd St 98040
DAHLBERG ERIC C+ANN E R
6208 SE 22nd St 98040
Created: 11-08-22
Last Updated: 12/5/2022 9:49 AM Zion

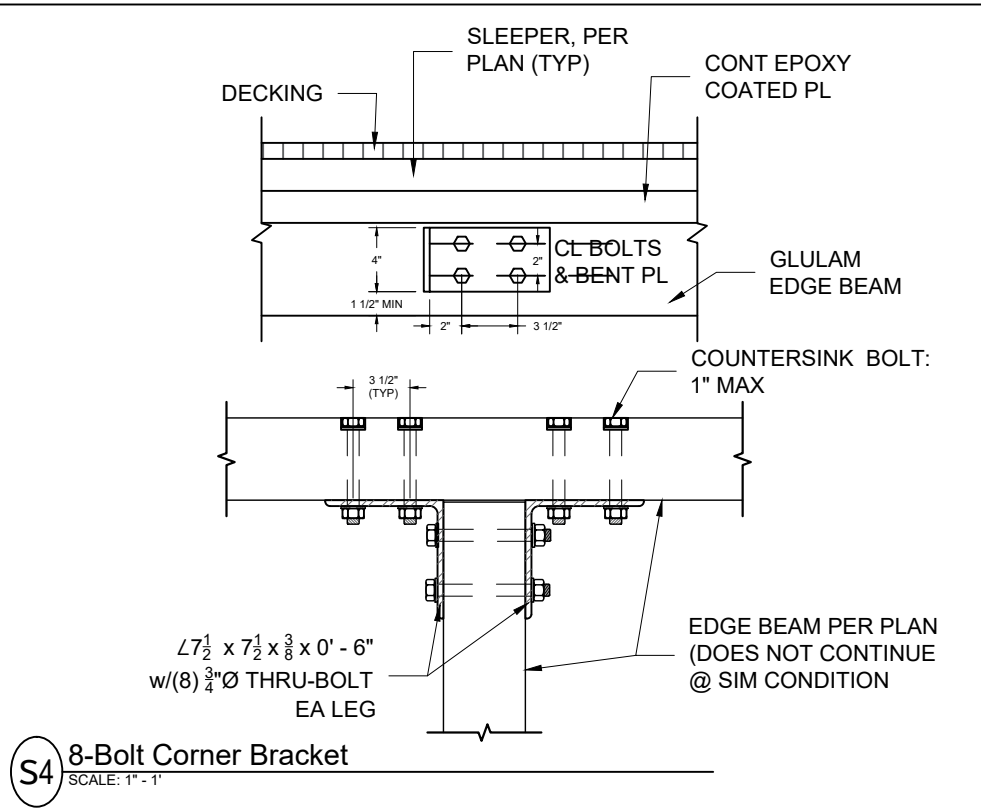
SHEET 13.0

DETAILS - TRACK

S1 DETAIL NOT IN USE
SCALE: 3/4" - 1"

S2 ANGLE TO PLATE - TYP
SCALE: 1" - 1"

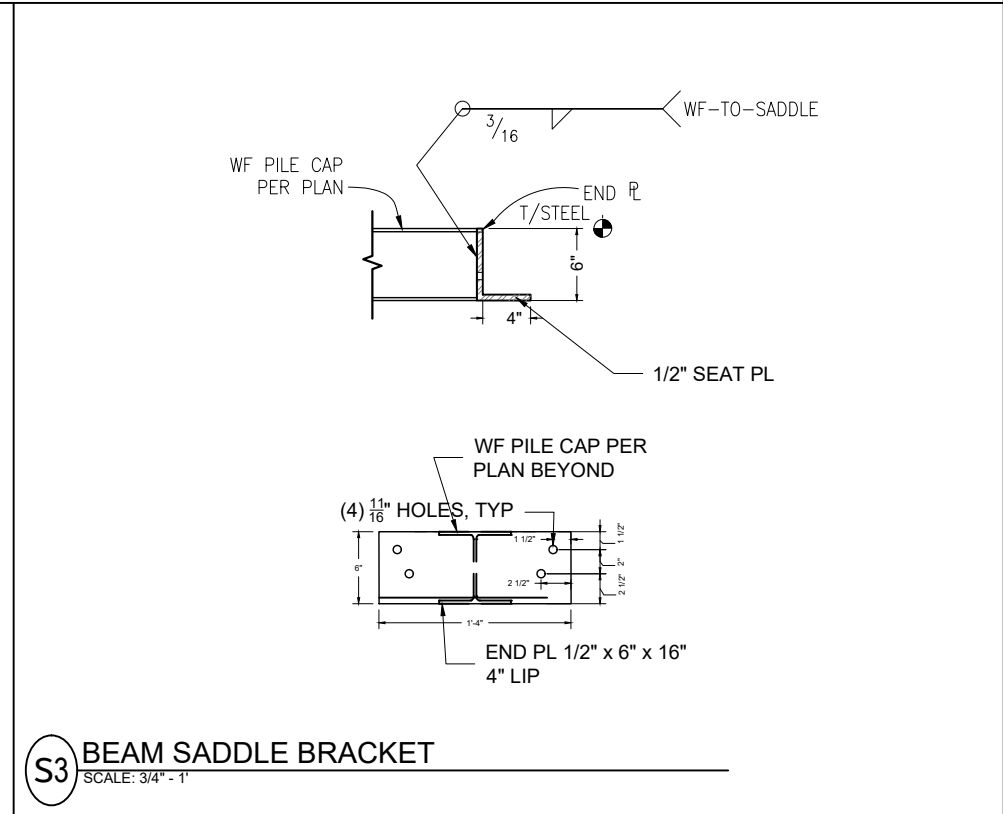
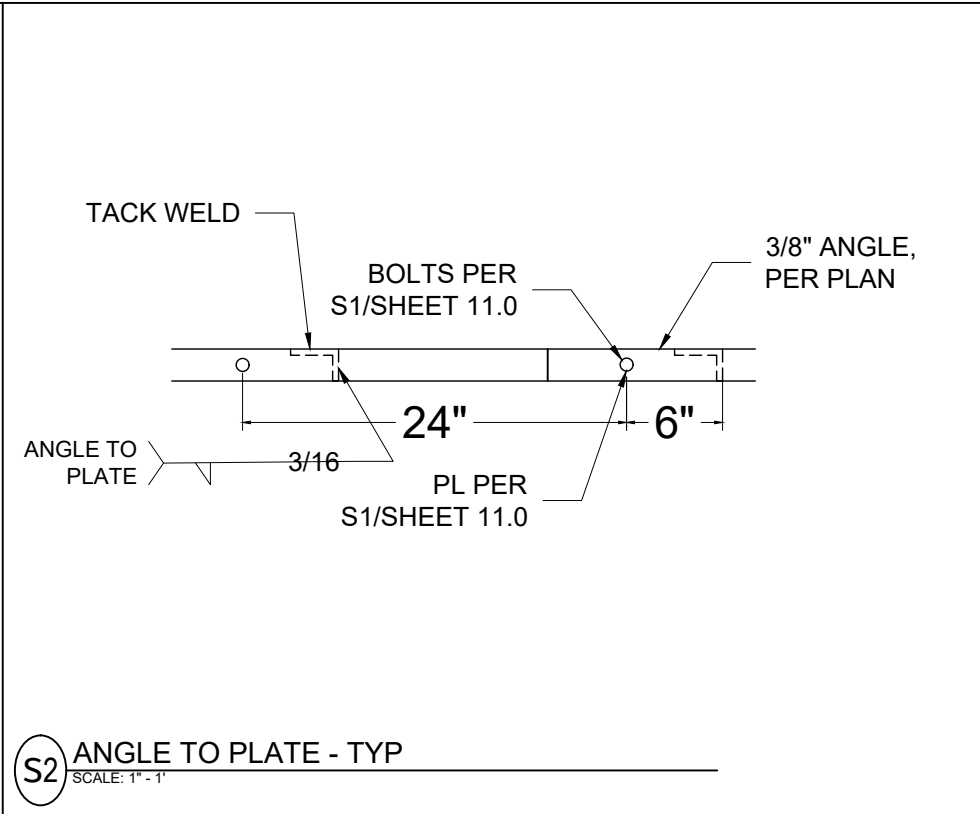
S3 BEAM SADDLE BRACKET
SCALE: 3/4" - 1"



S4 8-Bolt Corner Bracket
SCALE: 1" - 1"

S5 DETAIL NOT IN USE

S6 DETAIL NOT IN USE



Scope of Work: We propose to repair (2) existing piles, remove (1) existing pile, remove the existing swim step, and repair the existing dock with grated decking material.



Seaborn Pile Driving
1080 W Ewing St
Seattle, WA 98119
Office: 206-236-1700 ext. 3
www.seabornpiledriving.com

County: King County
Location: Lake Washington

Applicant: Cheever Residence
6210 SE 22nd St
Mercer Island, WA 98040

Datum: CORPS OF ENGINEERS 1919
SE Quarter Of Section 2, Township 24, Range 04

Adjacent Owners:
LAKEHOUSE 6236 LLC
6236 SE 22nd St 98040

DAHLBERG ERIC C+ANN E R
6208 SE 22nd St 98040

SHEET
14.0

NWS-2022-XXX
PAGE 14 OF 14

Last Updated: 12/5/2022 9:49 AM Zion

Created: 11-08-22